

## GAAS MMIC SPDT SWITCH NON-REFLECTIVE, DC - 8 GHz

### Typical Applications

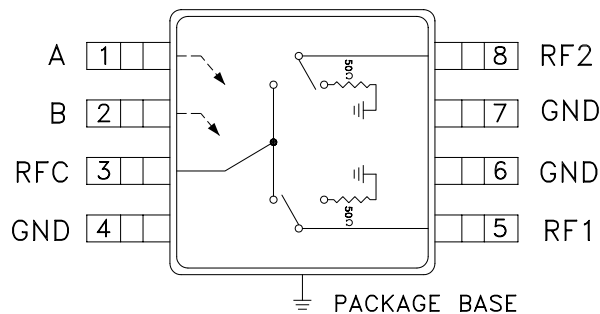
The HMC270AMS8GE is ideal for DC - 8.0 GHz applications:

- CATV
- MMDS & WirelessLAN
- Wireless Local Loop

### Features

- Broadband Performance: DC - 8 GHz
- Very High Isolation: 45 dB @ 6 GHz
- Non-Reflective Design
- Low Cost MSOP-8 Package: 14.8 mm<sup>2</sup>

### Functional Diagram



### General Description

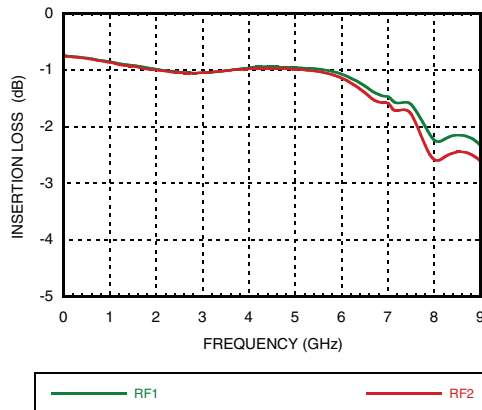
The HMC270AMS8GE are broad-band non-reflective GaAs SPDT switches in 8 lead MSOP grounded base surface mount plastic packages. Covering DC to 8 GHz, the switch offers excellent isolation from 70 to 35 dB. The negative control voltage of -5 volts allows operation down to DC. If positive control is required along with high isolation, see the DC to 3.5 GHz HMC284AMS8GE non-reflective SPDT.

### Electrical Specifications, $T_A = +25^\circ\text{C}$ , With 0/-5V Control, 50 Ohm system

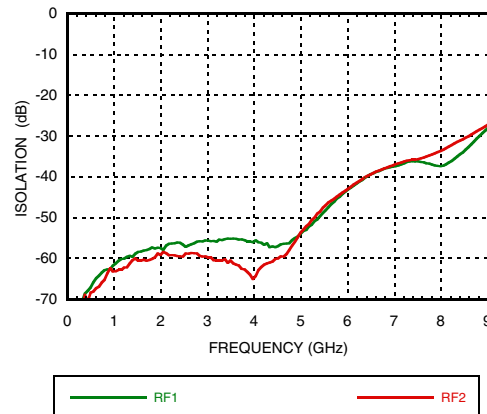
Parameter	Frequency	Min.	Typ.	Max.	Units
Insertion Loss	DC - 2.0 GHz		0.8	1.2	dB
	DC - 6.0 GHz		1.0	1.7	dB
	DC - 8.0 GHz		2.4	2.8	dB
Isolation	DC - 2.0 GHz	43	53		dB
	DC - 4.0 GHz	42	52		dB
	DC - 6.0 GHz	37	45		dB
	DC - 8.0 GHz	28	33		dB
Return Loss	DC - 2.0 GHz	11	14		dB
	DC - 6.0 GHz	9	12		dB
	DC - 8.0 GHz	7	10		dB
Return Loss RF1, RF2	DC - 2.0 GHz	15	20		dB
	DC - 6.0 GHz	13	18		dB
	DC - 8.0 GHz	10	15		dB
Input Power for 1 dB Compression	0.5 - 8.0 GHz	24	28		dBm
Input third Order Intercept (Two-Tone Input Power = +10 dBm Each Tone)	0.5 - 8.0 GHz	37	42		dBm
Switching Characteristics	DC - 8.0 GHz				
		tRISE, tFALL (10/90% RF)		15	ns
		tON, tOFF (50% CTL to 10/90% RF)		50	ns

## GAAS MMIC SPDT SWITCH NON-REFLECTIVE, DC - 8 GHz

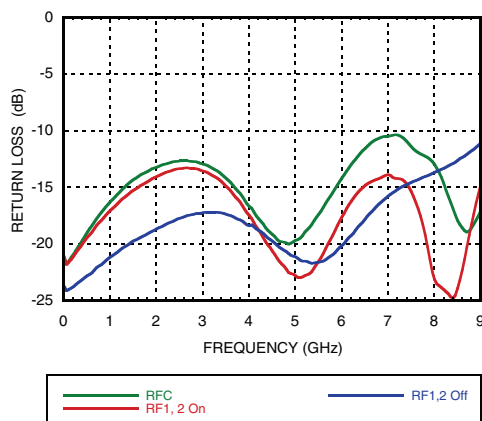
### Insertion Loss



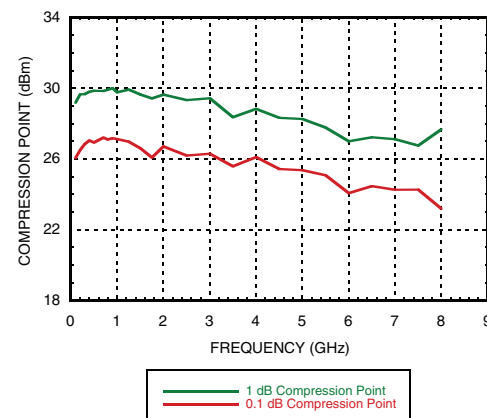
### Isolation



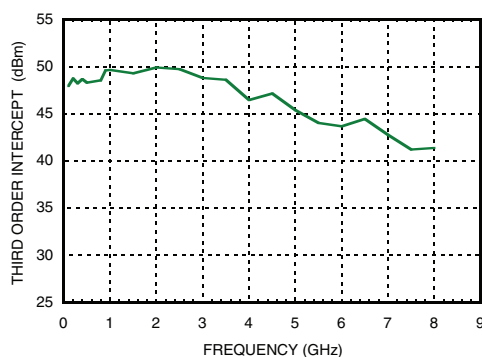
### Return Loss



### 0.1 and 1 dB Input Compression Point



### Input Third Order Intercept Point



### Control Voltages

State	Bias Condition
Low	0 to -0.2V @ 0.5 uA Typ.
High	-5V @ 2 uA Typ. to -7V @ 15 uA Typ (±0.5 Vdc)

## GAAS MMIC SPDT SWITCH NON-REFLECTIVE, DC -8 GHz

### Absolute Maximum Ratings

Max RF Input Power, $V_{ctl} = -5V$	+29 dBm
Insertion Loss Path	25.5 dBm
Terminated Path	
Control Voltage Range	+0.5 to -7 Vdc
Storage Temperature	-65 to +150 °C
Operating Temperature	-40 to +85 °C
Thermal Resistance	
Insertion Loss Path	143 °C/W
Terminated Path	183 °C/W
ESD Sensitivity (HBM)	Class 1A

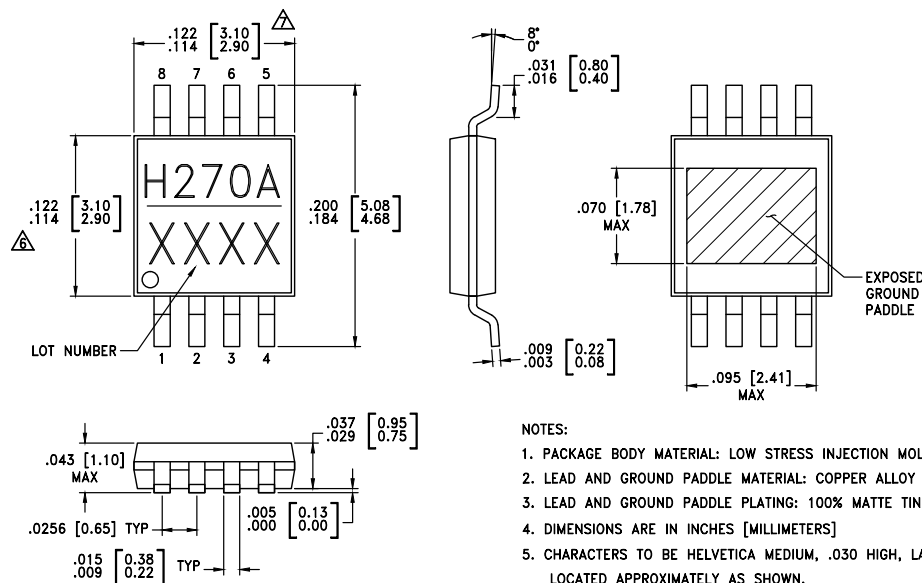
### Truth Table

Control Input		Signal Path State	
A	B	RFC to RF1	RFC to RF2
High	Low	ON	OFF
Low	High	OFF	ON



**ELECTROSTATIC SENSITIVE DEVICE  
OBSERVE HANDLING PRECAUTIONS**

### Outline Drawing



#### NOTES:

- PACKAGE BODY MATERIAL: LOW STRESS INJECTION MOLDED PLASTIC. SILICA AND SILICON IMPREGNATED.
  - LEAD AND GROUND PADDLE MATERIAL: COPPER ALLOY
  - LEAD AND GROUND PADDLE PLATING: 100% MATTE TIN.
  - DIMENSIONS ARE IN INCHES [MILLIMETERS]
  - CHARACTERS TO BE HELVETICA MEDIUM, .030 HIGH, LASER OR WHITE INK, LOCATED APPROXIMATELY AS SHOWN.
- ⚠ DIMENSION DOES NOT INCLUDE MOLDFLASH OF 0.15mm PER SIDE.  
 ⚠ DIMENSION DOES NOT INCLUDE MOLDFLASH OF 0.25mm PER SIDE.  
 8. ALL GROUND LEADS AND GROUND PADDLE MUST BE SOLDERED TO PCB RF GROUND.

### Package Information

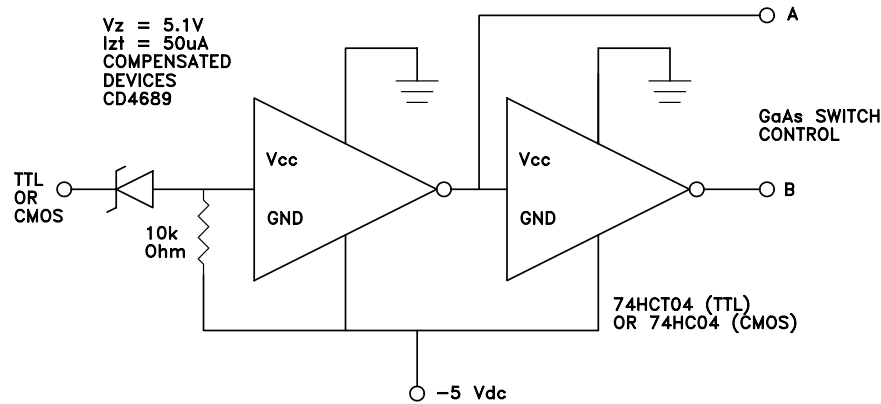
Part Number	Package Body Material	Lead Finish	MSL Rating	Package Marking <sup>[2]</sup>
HMC270AMS8GE	RoHS-compliant Low Stress Injection Molded Plastic	100% matte Sn	MSL3 <sup>[1]</sup>	H270A XXXX

[1] Max peak reflow temperature of 260 °C

[2] 4-Digit lot number XXXX

## GAAS MMIC SPDT SWITCH NON-REFLECTIVE, DC - 8 GHz

### Suggested Driver Circuit



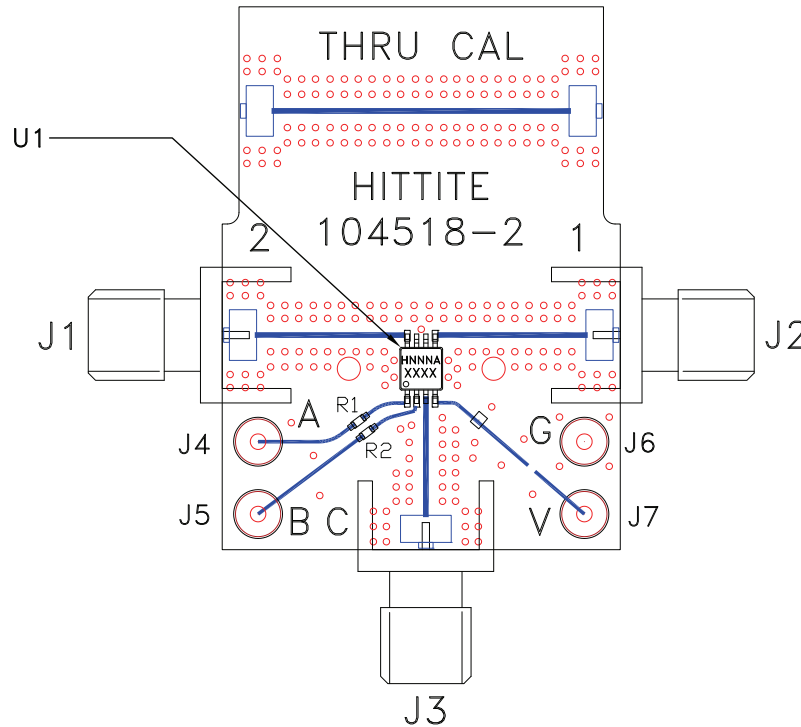
Simple driver using inexpensive standard logic ICs provides fast switching using minimum DC current while translating from standard positive voltage TTL or CMOS logic to negative voltage GaAs IC logic.

### Pin Descriptions

Pin Number	Function	Description	Interface Schematic
1	A	See truth table and control voltage table.	
2	B	See truth table and control voltage table.	
3, 5, 8	RFC, RF1, RF2	This pin is DC coupled and matched to 50 Ohm. Blocking capacitors are required if RF line potential is not equal to 0V.	
4, 6, 7	GND	This pin must be connected to RF/DC ground.	

**GAAS MMIC SPDT SWITCH  
NON-REFLECTIVE, DC - 8 GHz**

**Evaluation PCB**



**List of Materials for Evaluation PCB EV1HMC270AMS8G<sup>[1]</sup>**

Item	Description
J1 - J3	PCB Mount SMA RF Connector
J4 - J5	DC Pin
R1 - R2	100 Ohm Resistor, 0402 Pkg.
U1	HMC270AMS8GE SPDT Switch
PCB [2]	104518 Evaluation PCB

[1] Reference this number when ordering complete evaluation PCB

[2] Circuit Board Material: Rogers 4350

The circuit board used in the application should be generated with proper RF circuit design techniques. Signal lines at the RF ports should have 50 Ohm impedance and the package ground leads and exposed ground paddle should be connected directly to the ground plane similar to that shown above. The evaluation circuit board shown above is available from Analog Devices Inc. upon request.

---

**GAAS MMIC SPDT SWITCH  
NON-REFLECTIVE, DC -8 GHz**