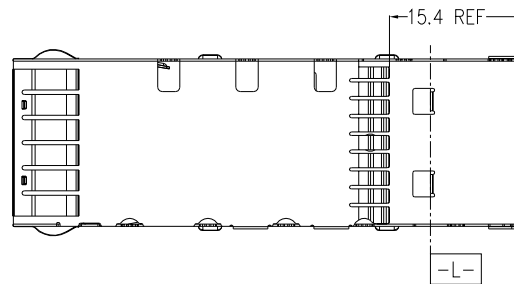
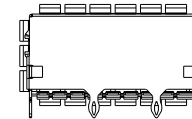
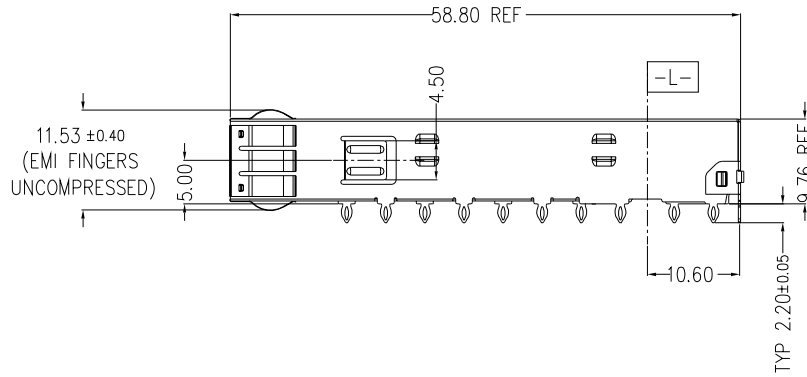
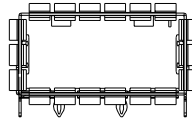
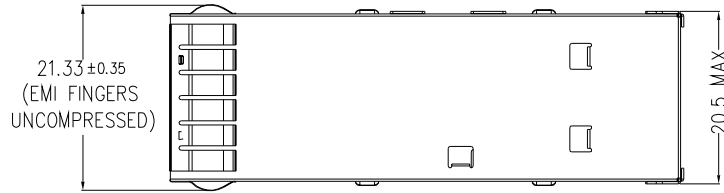
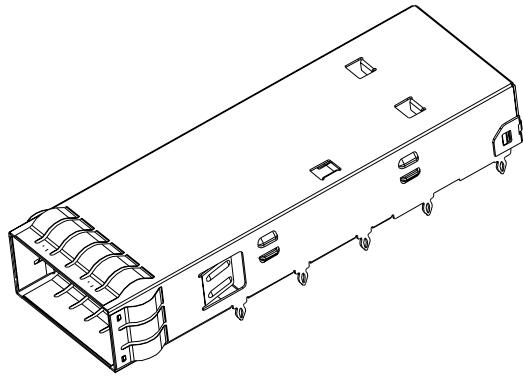


10128765-001LF



Copyright FCI.

NOTE:

1,	DESCRIPTION	Q'ty	MATERIAL	PLATING
01	QSFP CAGE	1PCS	COPPER ALLOY	NI Plated
02	EMI FINGERS	4PCS	COPPER ALLOY	NI FOR ALL

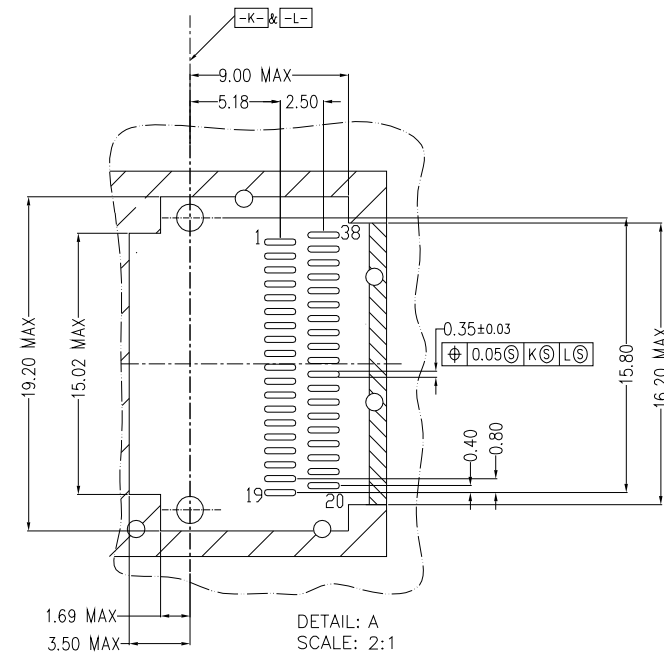
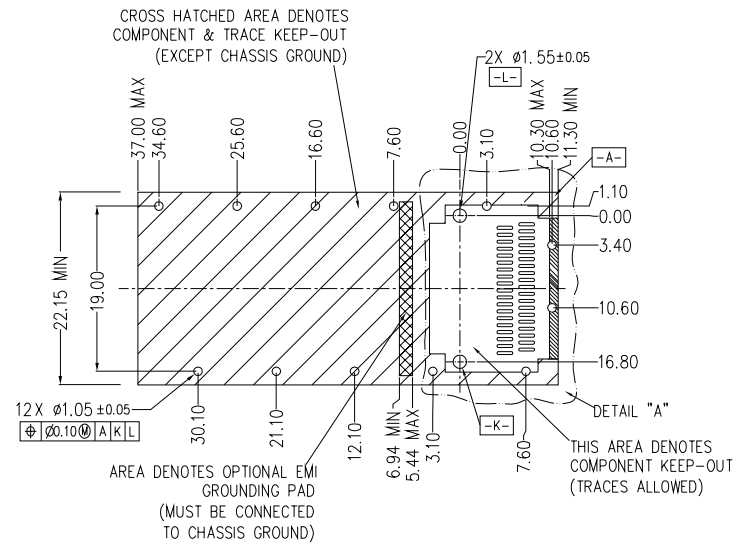
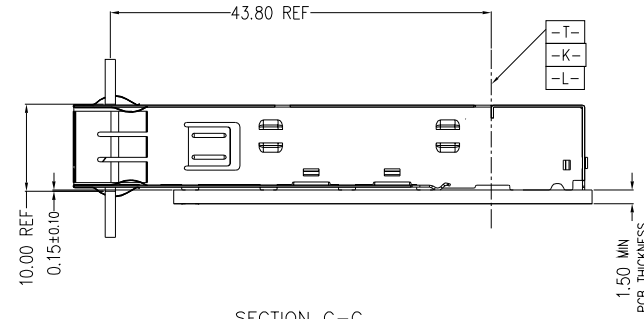
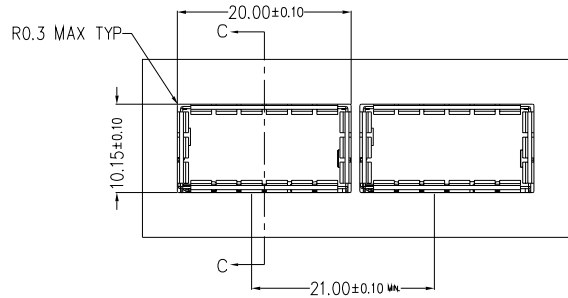
2, TEMPERATURE:
 OPERATION: -40°C~+85°C
 STORAGE: -55°C~+105°C

rev	ecn no	dr	date
A		Jason	05/20/2014
B		Jason	10/16/2014

www.fciconnect.com			surface - ✓	tolerance std -	projection	MM	
			TOLERANCES UNLESS OTHERWISE SPECIFIED			Scale NTS	
Dr	LinA	2014-10-30	ANGULAR	0.X	± 0.25	size A3	
Eng	LinA	2014-10-30		LINEAR	0.XX		± 0.20
Chr	-			0° ± 0.5°	0.XXX		± 0.10
Appr	Collins Lu	2014-10-30	Product family			ECN elx-dg-19247-1	
title QSFP+ 1*1 CAGE						Spec ref -	
FCI logo				dwg no 10128765	Rev. C		
catalog no -				CUSTOMER	sheet 1 of 3		

REV F - 2006-04-17

PCB LAYOUT FOR SINGLE SIDED APPLICATION



NOTES:

- SEE QSFP MSA SPECIFICATION FOR BEZEL LOCATION TOLERANCE
- DATUM -A- IS TIP SURFACE OF HOST BOARD PER MSA
- FINISHED HOLE SIZE (AFTER PLATING)
- DATUM -K- IS HOST BOARD THRE HOLE #1 TO ACCEPT CONNECTOR GUIDE POST PER MSA
- DATUM -L- IS HOST BOARD THRE HOLE #2 TO ACCEPT CONNECTOR GUIDE POST PER MSA
- DATUM -T- IS HARD STOP ON CAGE PER MSA

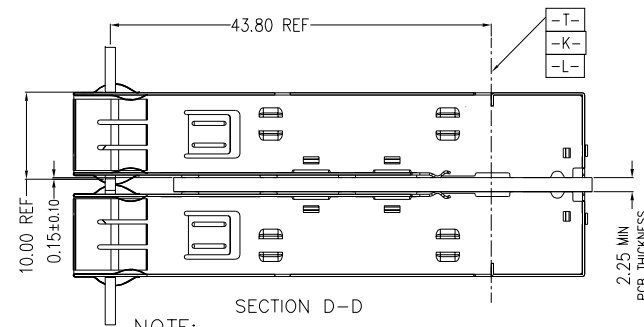
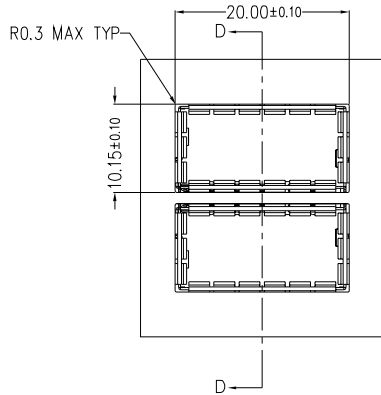


Copyright FCI.

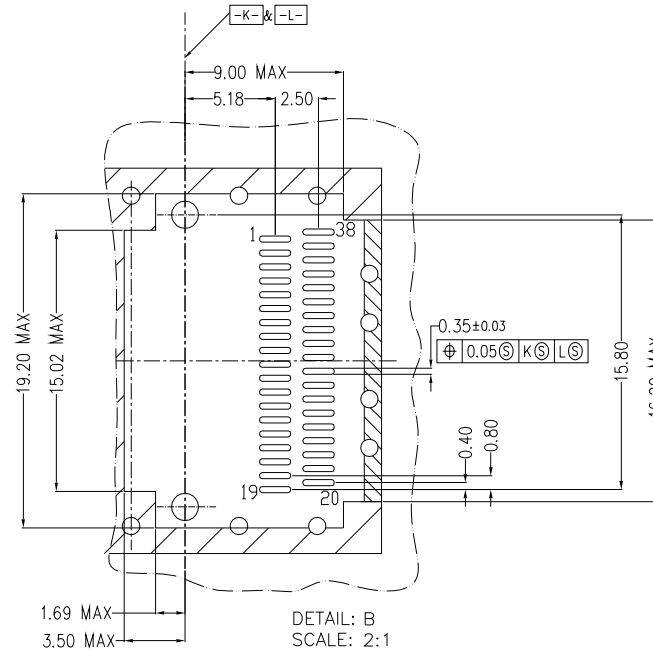
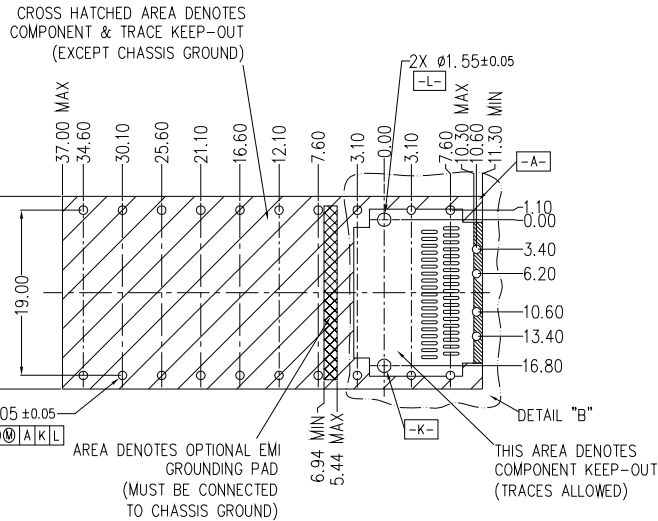
www.fciconnect.com		surface - ✓	tolerance std -	projection -	MM
		TOLERANCES UNLESS OTHERWISE SPECIFIED		← →	
Dr	LinA	2014-10-30	ANGULAR	0.X ±0.25	size A3
Eng	LinA	2014-10-30	LINEAR	0.XX ±0.20	Scale NTS
Chr	-		0° ±0.5°	0.XXX ±0.10	ECN elx-dg-19247-1
Appr	Collins Lu	2014-10-30	Product family	Spec ref	-
FCI title QSFP+ 1*1 CAGE		dwg no 10128765		Rev. C	
catalog no -		CUSTOMER		sheet 2 of 3	

REV F - 2006-04-17

PCB LAYOUT FOR BELLY TO BELLY APPLICATION



NOTE:
BEZEL CUTOUT LOCATIONS FOR BELLY TO BELLY APPLICATIONS
ARE DEPENDENT ON PCB THICKNESS



NOTES:

1. SEE QSFP MSA SPECIFICATION FOR BEZEL LOCATION TOLERANCE
2. DATUM -A- IS TIP SURFACE OF HOST BOARD PER MSA
3. FINISHED HOLE SIZE (AFTER PLATING)
4. DATUM -K- IS HOST BOARD THRE HOLE #1 TO ACCEPT CONNECTOR GUIDE POST PER MSA
5. DATUM -L- IS HOST BOARD THRE HOLE #2 TO ACCEPT CONNECTOR GUIDE POST PER MSA
6. DATUM -T- IS HARD STOP ON CAGE PER MSA



Copyright FCI.

www.fciconnect.com		surface - ✓	tolerance std -	projection -	MM
		TOLERANCES UNLESS OTHERWISE SPECIFIED		← →	
Dr	LinA	2014-10-30	ANGULAR	0.X ±0.25	size A3
Eng	LinA	2014-10-30	LINEAR	0.XX ±0.20	Scale NTS
Chr	-		0° ±0.5°	0.XXX ±0.10	ECN elx-dg-19247-1
Appr	Collins Lu	2014-10-30	Product family	Spec ref	-
FCI		title QSFP+ 1*1 CAGE		dwg no 10128765	
catalog no		-		CUSTOMER sheet 3 of 3	
				Rev. C	

REV F - 2006-04-17