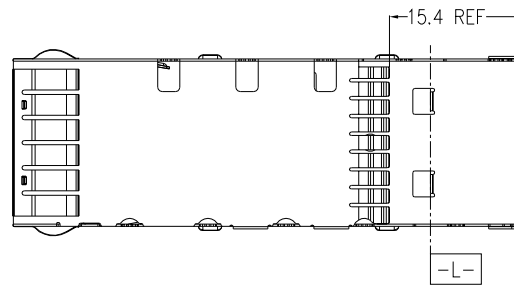
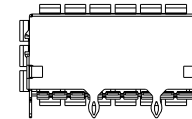
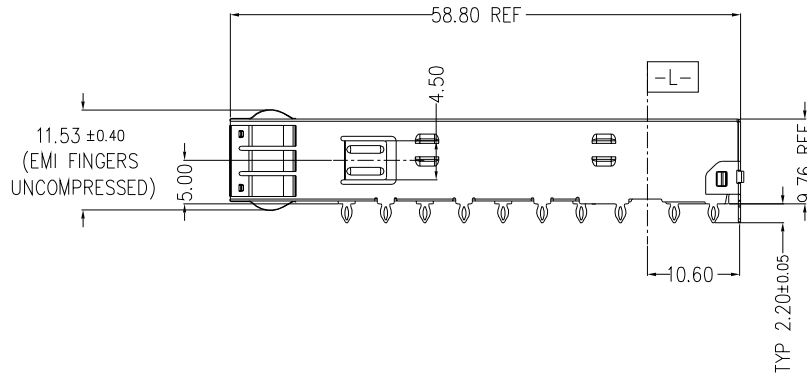
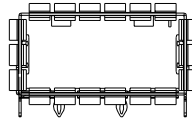
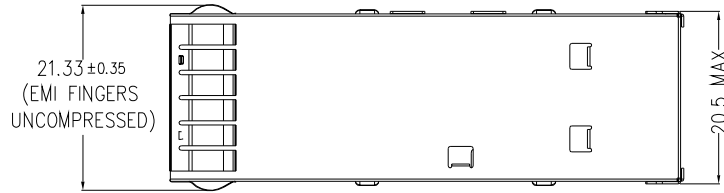
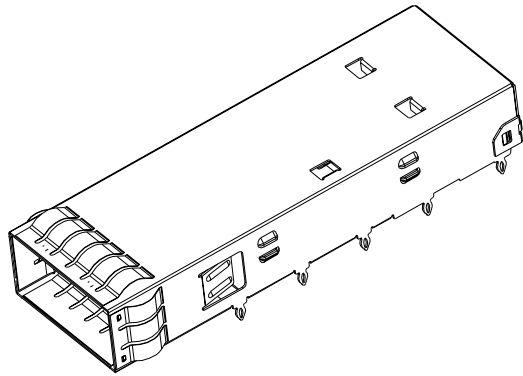


10128765-001LF



Copyright FCI.

NOTE:

1,	DESCRIPTION	Q'ty	MATERIAL	PLATING
01	QSFP CAGE	1PCS	COPPER ALLOY	NI Plated
02	EMI FINGERS	4PCS	COPPER ALLOY	NI FOR ALL

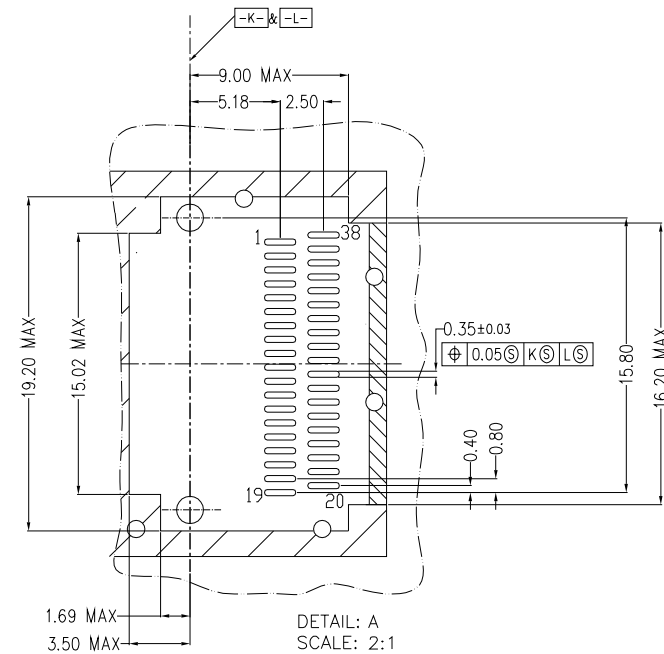
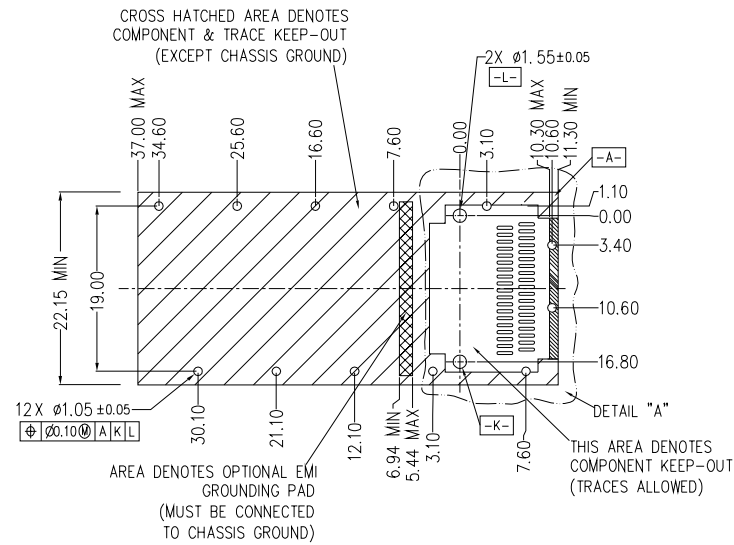
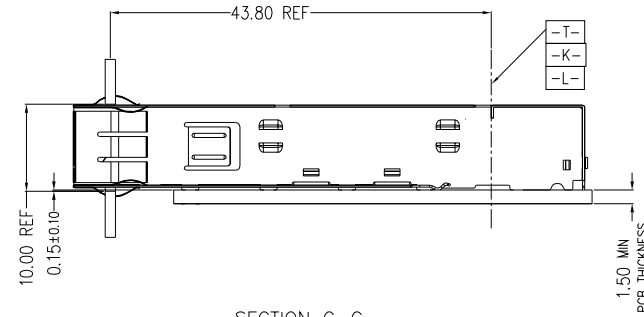
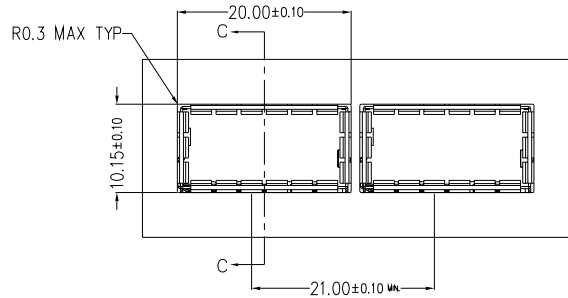
2, TEMPERATURE:
 OPERATION: -40°C~+85°C
 STORAGE: -55°C~+105°C

rev	ecn no	dr	date
A		Jason	05/20/2014
B		Jason	10/16/2014

www.fciconnect.com		surface - ✓	tolerance std -	projection	MM		
		TOLERANCES UNLESS OTHERWISE SPECIFIED					
Dr	LinA	2014-10-30	0.X ± 0.25			size	Scale
Eng	LinA	2014-10-30	0.XX ± 0.20			A3	NTS
Chr	-		0.XXX ± 0.10	ECN	elx-dg-19247-1		
Appr	Collins Lu	2014-10-30	Product family	Spec ref	-		
		title QSFP+ 1*1 CAGE		dwg no	10128765		
catalog no		-		CUSTOMER	sheet 1 of 3		
					Rev. C		

REV F - 2006-04-17

PCB LAYOUT FOR SINGLE SIDED APPLICATION



NOTES:

1. SEE QSFP MSA SPECIFICATION FOR BEZEL LOCATION TOLERANCE
2. DATUM -A- IS TIP SURFACE OF HOST BOARD PER MSA
3. FINISHED HOLE SIZE (AFTER PLATING)
4. DATUM -K- IS HOST BOARD THRE HOLE #1 TO ACCEPT CONNECTOR GUIDE POST PER MSA
5. DATUM -L- IS HOST BOARD THRE HOLE #2 TO ACCEPT CONNECTOR GUIDE POST PER MSA
6. DATUM -T- IS HARD STOP ON CAGE PER MSA

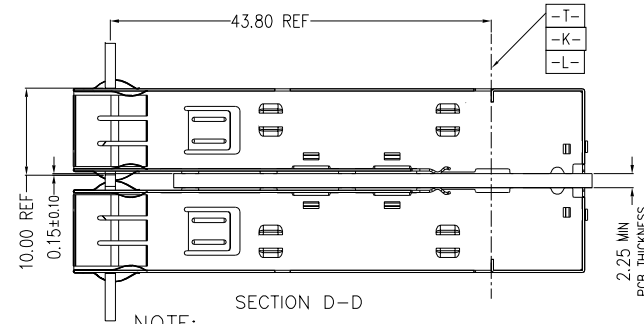
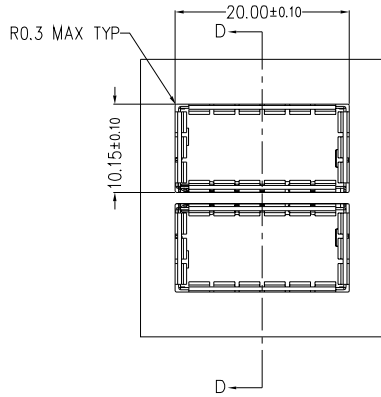


Copyright FCI.

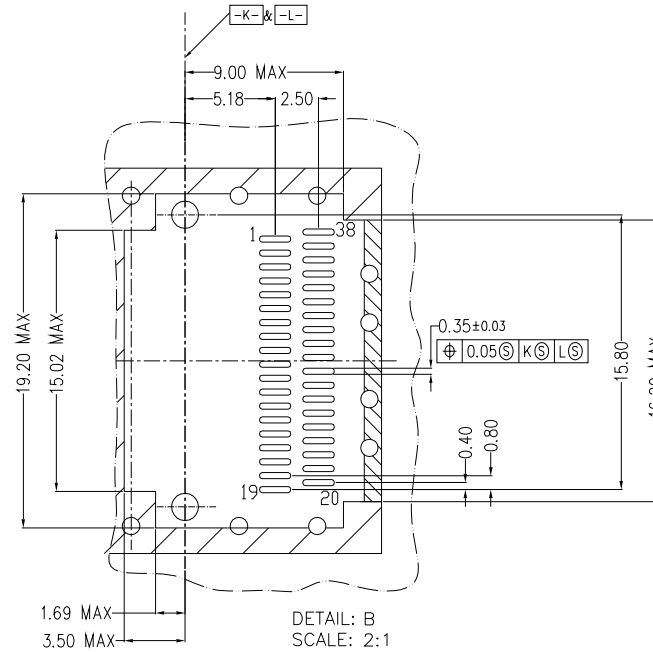
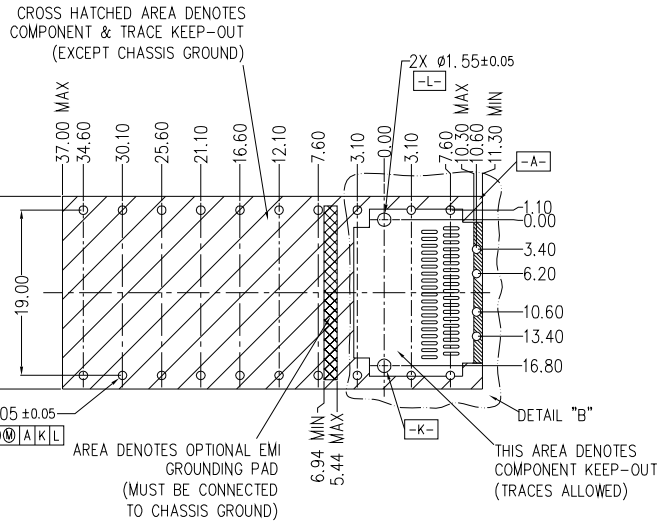
www.fciconnect.com		surface - ✓	tolerance std -	projection -	MM
		TOLERANCES UNLESS OTHERWISE SPECIFIED		size A3	Scale NTS
Dr	LinA	2014-10-30	ANGULAR	0.X ±0.25	ECN elx-dg-19247-1
Eng	LinA	2014-10-30	LINEAR	0.XX ±0.20	
Chr	-		0° ±0.5°	0.XXX ±0.10	
Appr	Collins Lu	2014-10-30	Product family	Spec ref	-
FCI title QSFP+ 1*1 CAGE		dwg no 10128765		Rev. C	
catalog no		CUSTOMER		sheet 2 of 3	

REV F - 2006-04-17

PCB LAYOUT FOR BELLY TO BELLY APPLICATION



NOTE:
BEZEL CUTOUT LOCATIONS FOR BELLY TO BELLY APPLICATIONS
ARE DEPENDENT ON PCB THICKNESS



- NOTES:
1. SEE QSFP MSA SPECIFICATION FOR BEZEL LOCATION TOLERANCE
 2. DATUM -A- IS TIP SURFACE OF HOST BOARD PER MSA
 3. FINISHED HOLE SIZE (AFTER PLATING)
 4. DATUM -K- IS HOST BOARD THRE HOLE #1 TO ACCEPT CONNECTOR GUIDE POST PER MSA
 5. DATUM -L- IS HOST BOARD THRE HOLE #2 TO ACCEPT CONNECTOR GUIDE POST PER MSA
 6. DATUM -T- IS HARD STOP ON CAGE PER MSA

www.fciconnect.com		surface - ✓	tolerance std -	projection -	MM
		TOLERANCES UNLESS OTHERWISE SPECIFIED		size A3	Scale NTS
Dr	LinA	2014-10-30	ANGULAR	0.X ±0.25	ECN elx-dg-19247-1
Eng	LinA	2014-10-30	LINEAR	0.XX ±0.20	
Chr	-		0° ±0.5°	0.XXX ±0.10	
Appr	Collins Lu	2014-10-30	Product family	Spec ref	-
FCj title QSFP+ 1*1 CAGE		dwg no 10128765		Rev. C	
catalog no -		CUSTOMER		sheet 3 of 3	