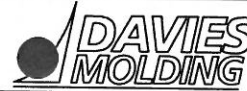


PART NAME: KNOB      SCALE: 1:1      DATE: 11/1/16      DR. BY JAM

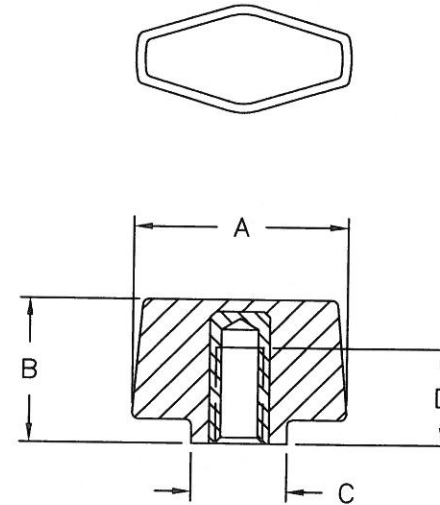
THIS DRAWING IS THE PROPERTY OF DAVIES MOLDING COMPANY, IS SUBMITTED SOLELY AS A DESIGN OR ENGINEERING PROJECT. WE ACCEPT NO RESPONSIBILITY WHATSOEVER FOR THE PRACTICAL APPLICATION OF THE PIECES MADE TO THIS DESIGN.



DESIGNERS & MANUFACTURERS OF KNOBS, HANDLES, CASES & CUSTOM PLASTIC COMPONENTS

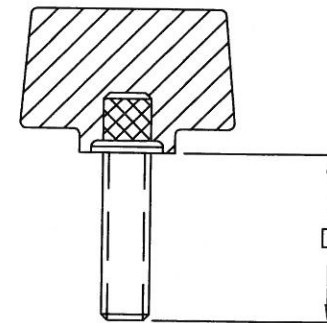
P/N 3085-P-BP

	THREAD	A	B	C	D
3085-P	M6 X 1	28	19	12	12
3085BK	M8 X 1.25	28	19	12	12



THREADED INTERNAL INSERT

	THREAD	A	B	C	D
3085BL	M6 X 1	28	19	12	20
3085BM	M6 X 1	28	19	12	30
3085BN	M8 X 1.25	28	19	12	20
3085BP	M8 X 1.25	28	19	12	30



THREADED STUD

KNOB MATERIAL: PHENOLIC  
COLOR: BLACK

INSERT MATERIAL: INTERNAL INSERTS ARE BRASS,  
PROJECTING STUDS ARE ZINC PLATED STEEL

TOLERANCES: UNLESS OTHERWISE SPECIFIED	DO NOT SCALE DRAWING			
	MM: X.XX ± 0.15MM X.X ± 0.4MM			
	ANG. ± 1°	CHANGES		