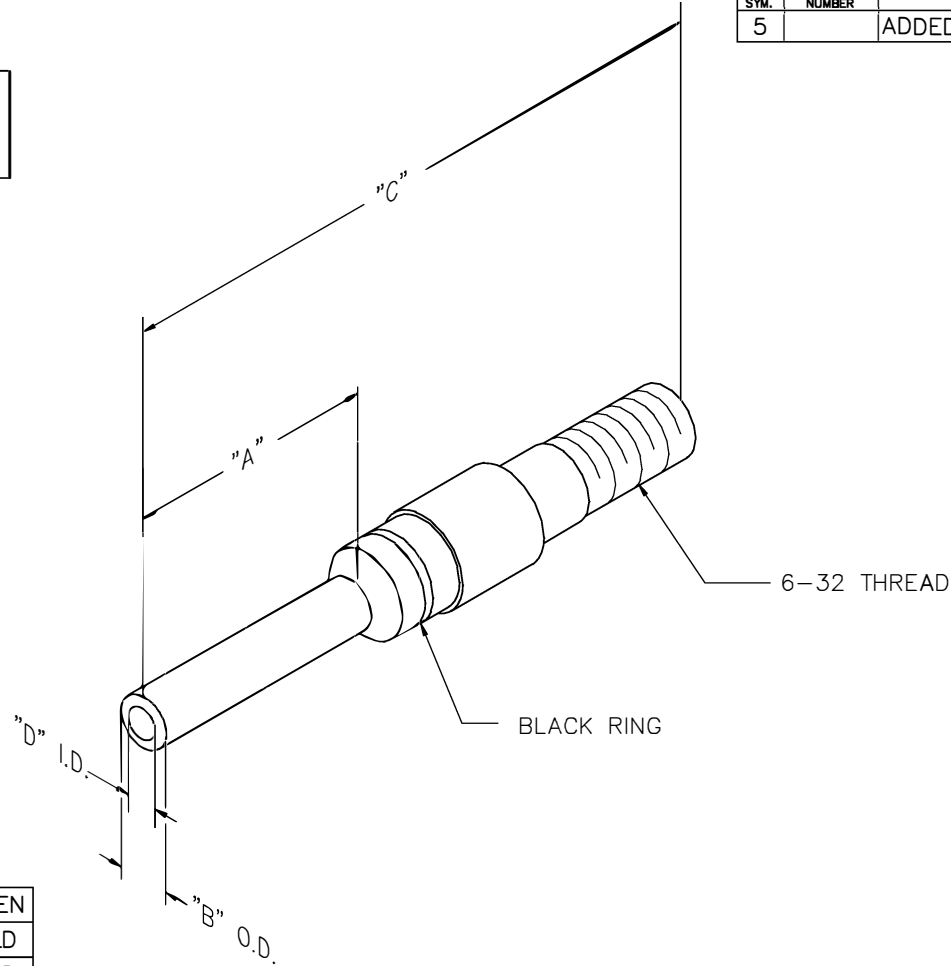


UNCONTROLLED DOCUMENT
WILL NOT BE UPDATED

REVISIONS				
REV. SYM.	E.C.O. NUMBER	DESCRIPTION	BY DATE	APP'D DATE
5		ADDED 68-020S-01	K. KOONS 6.16.08	D. EBY 8.18.08



68-026-01	.514	.090	1.250	.031 ∇ .100	GREEN
68-024S-01	.514	.070	1.250	.027 ∇ .050	GOLD
68-024-01	.514	.070	1.250	.027 ∇ .100	GOLD
68-023-01	.514	.090	1.250	.029 ∇ .100	BLACK
68-022-01	.514	.093	1.250	.034 ∇ .100	BROWN
68-020S-01	.514	.094	1.250	.042 ∇ .020	RED
68-020-01	.514	.094	1.250	.042 ∇ .100	RED
68-016-01	.514	.125	1.250	.065 ∇ .100	BLUE
68-012-01	.514	.156	1.250	.097 ∇ .100	YELLOW
68-008-01	.542	.209	1.250	.150 ∇ .100	RED

PART NO.	"A"	ϕ "B"	"C"	"D"	COLOR
----------	-----	------------	-----	-----	-------

<p>RESTRICTED & CONFIDENTIAL</p> <p>CONFIDENTIAL PROPERTY OF DANIELS MANUFACTURING CORP. NOT TO BE DISCLOSED TO OTHERS, REPRODUCED OR USED FOR ANY OTHER PURPOSE, EXCEPT AS AUTHORIZED IN WRITING BY DANIELS MANUFACTURING. MUST BE RETURNED TO DANIELS MANUFACTURING CORP. ON COMPLETION OF ORDER OR OTHER PURPOSE FOR WHICH LENT.</p>	MATERIAL	ITEM	PART NO.	QTY.	DESCRIPTION/REMARKS
	HEAT TREAT	DRN.	JMC	DATE	2-11-00
		CHK'D.	JWJ	DATE	2-11-00
	FINISH	APP'D.		DATE	
APP'D.			DATE		
DO NOT SCALE DRAWING	NOTE:		THIS DRAWING IS AN OUTLINE DRAWING OF THE RESPECTIVE DMC PART NUMBER INDICATED. ACTUAL DMC PART NUMBER IS DRAWING NUMBER WITHOUT THE "-ENV" SUFFIX.		
	WHERE USED:		SIZE	SCALE	CAD P/N
			B	NTS	68-XXX-01-ENV
			POSTING	DWG. NO.	68-XXX-01-ENV
				SHEET OF	1 1
				REV.	5



DANIELS MANUFACTURING CORP.
ORLANDO, FLORIDA
CAGE 11851

TITLE
TIP, PIN TESTER
ENVELOPE DRAWING