

# Single, High Current LED Driver Demoboard

## General Description

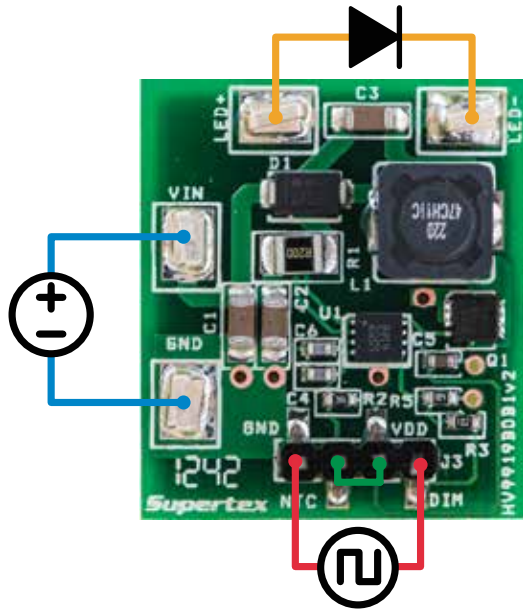
The HV9919BDB1 demoboard is a high current LED driver designed to drive one LED at 1.0A from a 9.0 - 16V DC input. The demoboard uses Supertex's HV9919 hysteretic buck LED driver IC.

The HV9919BDB1 includes two PWM dimming modes. The analog control of the PWM dimming mode allows the user to dim the LED using a 0 - 2.0V analog signal applied between the ADIM and GND pins (0V gives 0% and 2.0V gives 100%). In this mode, the PWM dimming frequency is set to 1kHz on the board. The digital control of PWM dimming mode allows the user to dim the LEDs using an external, TTL-compatible square wave source applied between DIM and GND. In this case, the PWM dimming frequency and duty ratio are set by the external square wave source.

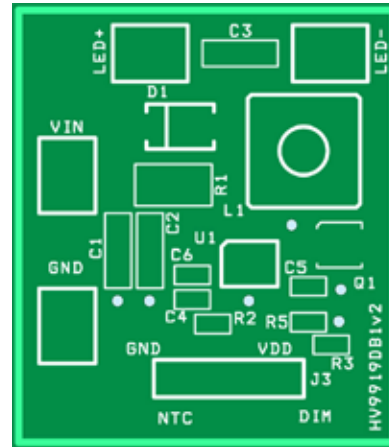
## Specifications

Parameter	Value
Input voltage	9.0 - 16VDC (steady state) 40V max (transient)
Reverse polarity protection	60V (max)
Output voltage	2.0 - 5.0V
Output current	1.0A ± 5%
Output current ripple (@13.5V input and 3.3V output)	16% (peak to peak)
Full load efficiency (@13.5V input)	84%
Open LED protection	Yes
Output short circuit protection	Yes
Dimensions	25.4mm X 25.4mm

## Connection Diagram



## Silk Screen (top)



## Connections

**Input Connection:** Connect the input DC voltage between VIN and GND terminals of connector J1 as shown in the connection diagram.

**Output Connection:** Connect the LEDs between LED+ (anode of LED string) and LED- (cathode of LED string) of connector J2.

### PWM Dimming Connection:

1. If no PWM dimming is required, short DIM, VDD and ADIM terminals of connector J3.

2. If dimming using an external PWM dimming source, connect the PWM source between the DIM and GND terminals of connector J3 and short terminals ADIM and VDD. The recommended PWM dimming frequency is  $\leq 1.0\text{kHz}$ .
3. If dimming using an external analog voltage source, connect the source between the ADIM and GND terminals of connector J3 and short terminals DIM and VDD. The voltage range for control of the PWM dimming is 0 - 2.0V.

## Typical Results

Fig. 1. Efficiency vs. Input Voltage Plot

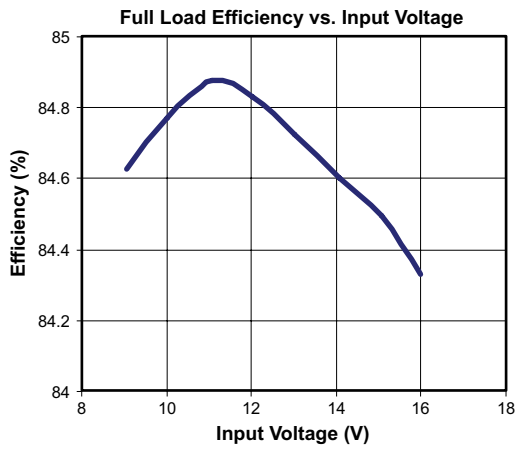


Fig. 2. Line Regulation of LED Current Plot

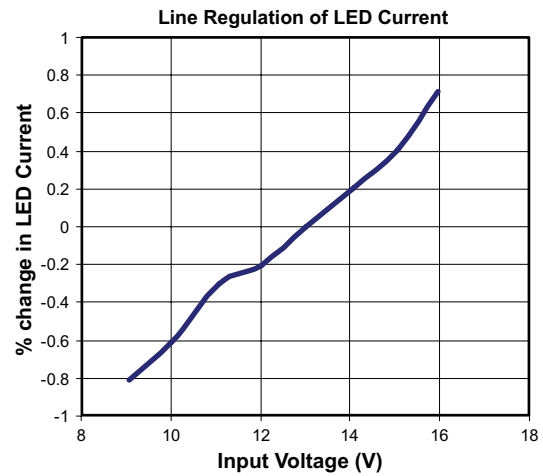


Fig. 3. Efficiency vs. Load Voltage Plot

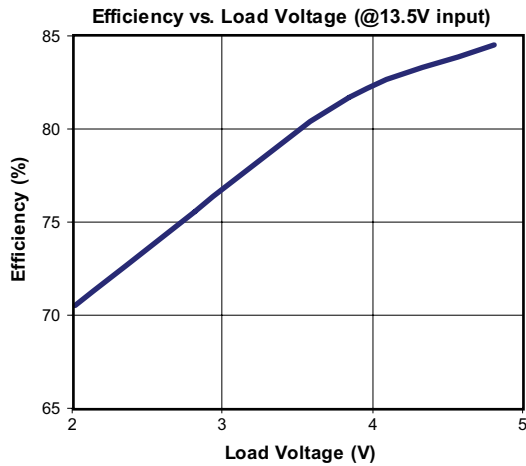


Fig. 4. Load Regulation of LED Current Plot

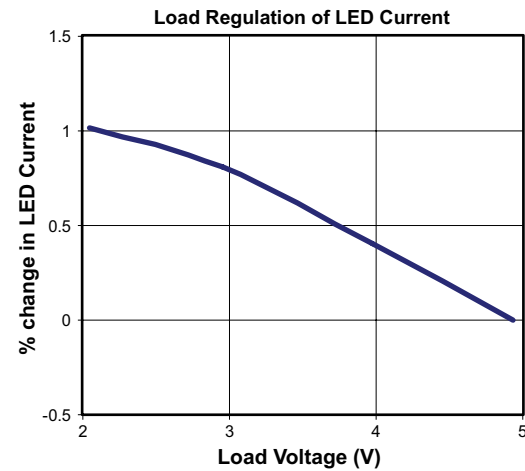


Fig. 5. Switching Frequency vs. Input Voltage Plot

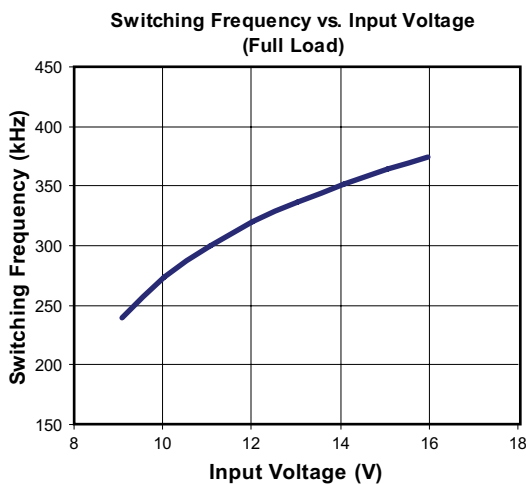
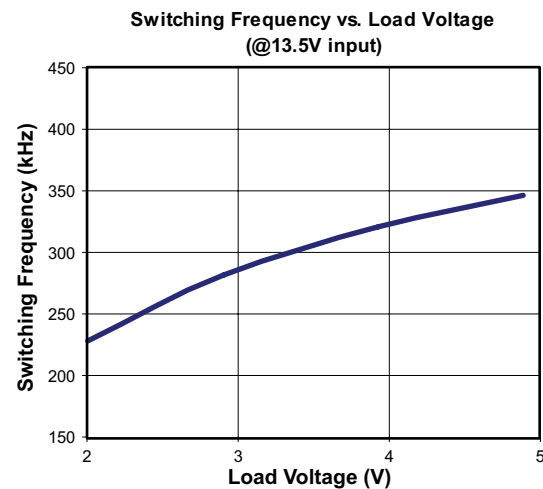
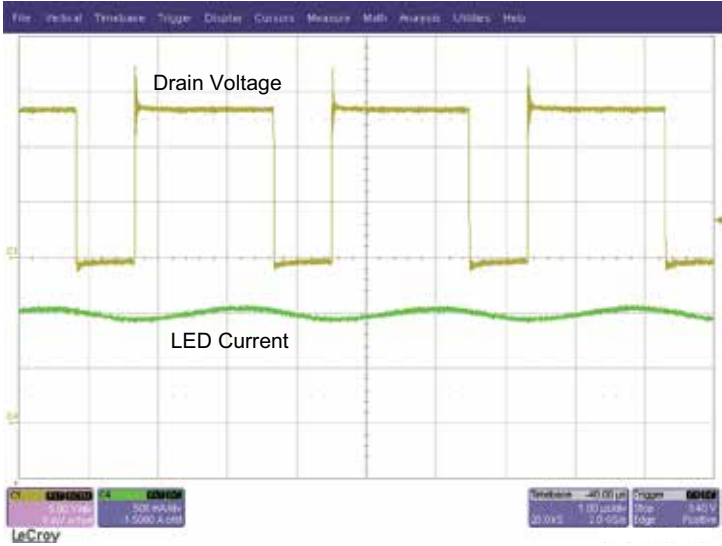


Fig. 6. Switching Frequency vs. Load Voltage Plot



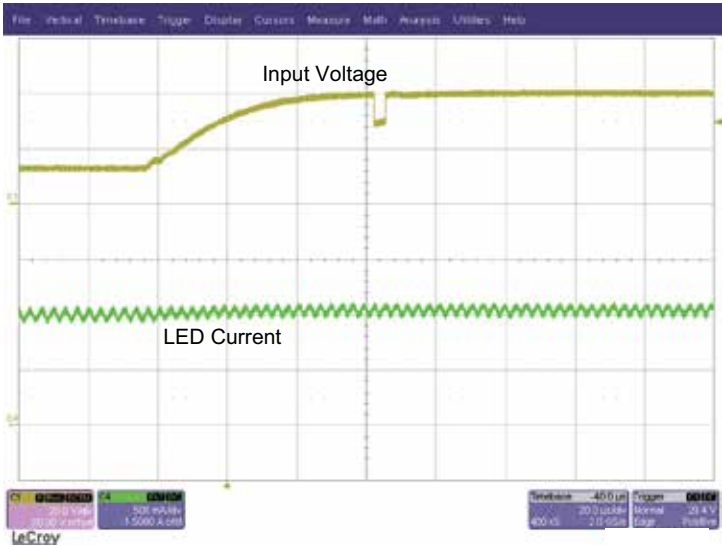
Typical Waveforms (All waveforms are at 13.5V input and 3.3V LED Voltage unless otherwise noted)

Figure 7. Steady State Waveforms



C1 (Yellow) : Drain Voltage (5V/div)  
C4 (Green) : LED Current (500mA/div)  
Time Scale : 1μs/div

Figure 8. Transient Response of the LED Current



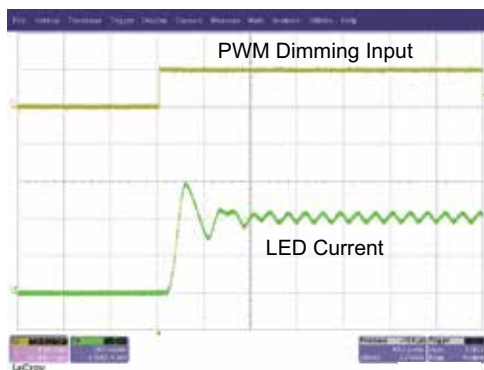
C1 (Yellow) : Input Voltage (20V/div)  
C4 (Green) : LED Current (500mA/div)  
Time Scale : 20μs/div

**Typical Waveforms** (All waveforms are at 13.5V input and 3.3V LED Voltage unless otherwise noted)

**Figure 9. PWM Dimming using the DIM input**



**(a) PWM Dimming Performance**  
Time Scale : 1ms/div



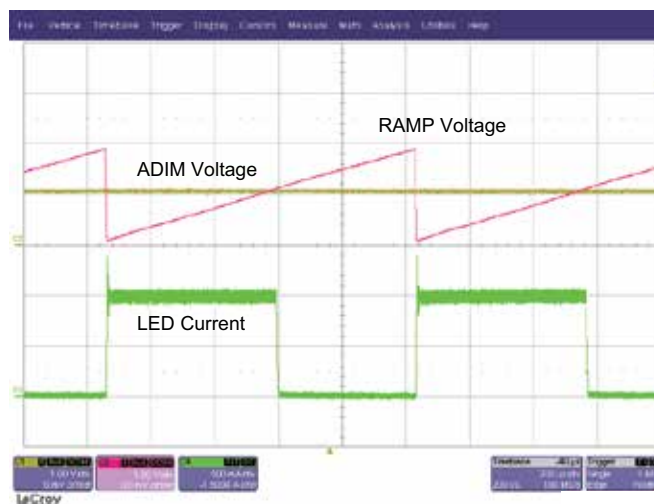
**(b) PWM Dimming Rise Time**  
Time Scale : 10µs/div



**(c) PWM Dimming Fall Time**  
Time Scale : 10µs/div

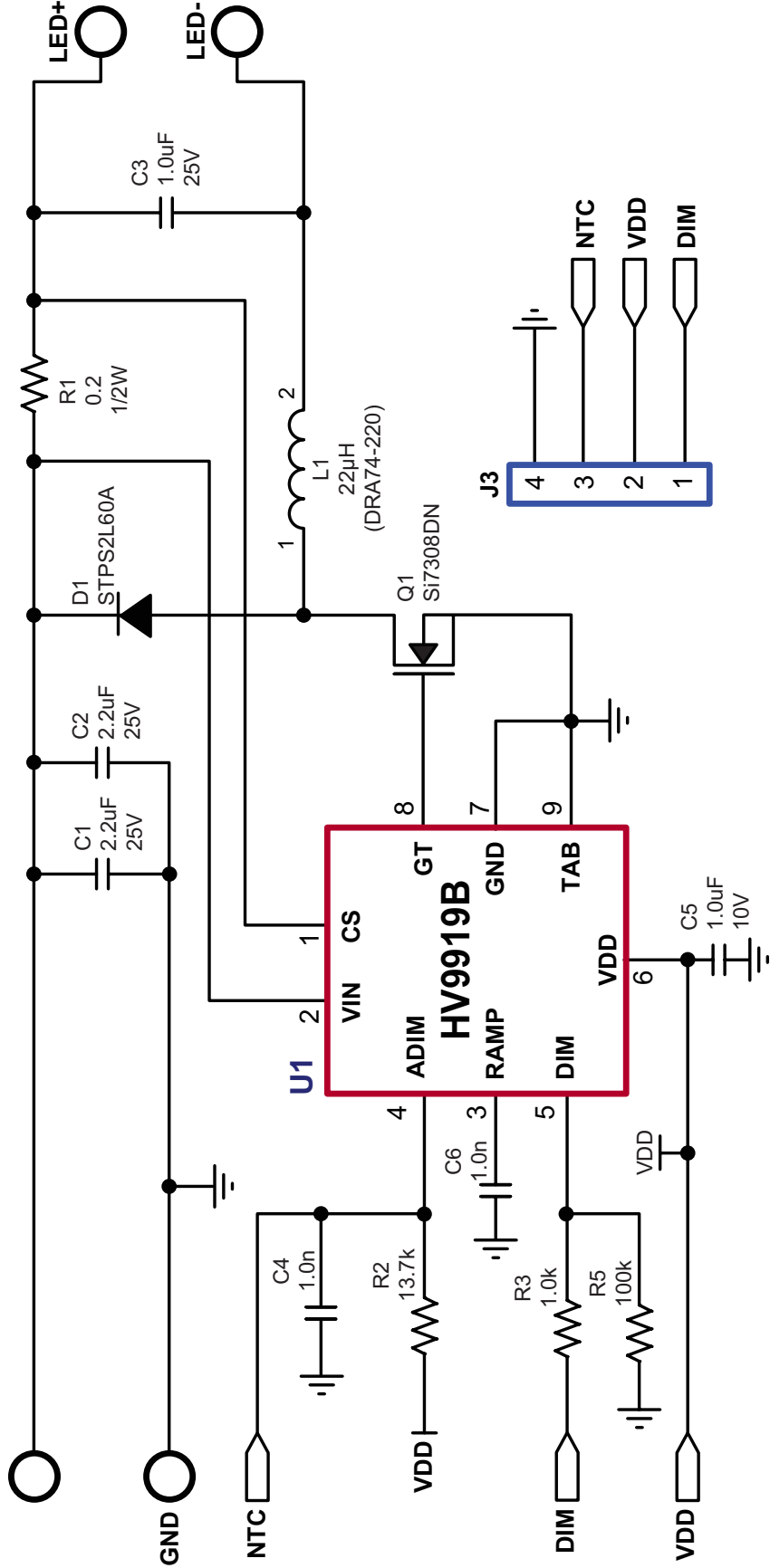
C1 (Yellow) : PWMD Input Voltage (5V/div)  
C4 (Green) : LED Current (500mA/div)

**Figure 10. PWM Dimming using the ADIM pin**



C1 (Yellow) : ADIM Voltage (1V/div)  
C2 (Pink) : RAMP Voltage (1V/div)  
C4 (Green) : LED Current (500mA/div)  
Time Scale : 200µs/div

HV9919BDB1 Schematic Diagram



## Bill of Materials

Item #	Quan.	RefDes	Description	Package	Manufacturer	Manufacturer's Part #
1	2	C1, C2	2.2 $\mu$ F, 25V, 10% X7R ceramic capacitor	SMD1206	AVX Corp	12063C225K4Z2A
2	1	C3	1.0 $\mu$ F, 25V, 10% X7R ceramic capacitor	SMD1206	Kemet	C1206C105K3RACTU
3	2	C4, C6	1.0nF, 50V, 5%, C0G ceramic capacitor	SMD0603	TDK Corp	C1608C0G1H102J
4	1	C5	1.0 $\mu$ F, 10V, 10% X7R ceramic capacitor	SMD0603	Taiyo Yuden	LMK107B7105KA-T
5	1	D1	60V, 2A schottky diode	SMA	ST Micro	STPS2L60A
6	4	VIN, LED-, LED+, GND	Compact surface mount test point	SMT	Keystone Electronics	5016
7	1	J3	4 position, 0.1" vertical header	SMT	Molex	68301-1015
8	1	L1	22 $\mu$ H, 1.8A rms, 1.7A sat inductor	SMT	Coiltronics	DRA74-220-R
9	1	Q1	60V, 72mO, 9nC, N-Channel MOSFET	Powerpac 1212-8	Vishay	SI7308DN-T1-E3
10	1	R1	0.2, 1/4W, 1% chip resistor	SMD1210	Rohm	MCR25JZHFLR200
11	1	R2	13.7k $\Omega$ , 1/10W, 5% chip resistor	SMD0603	Yageo	RC0603FR-0713K7L
12	1	R3	1.00k $\Omega$ , 1/10W, 5% chip resistor	SMD0603	Panasonic	ERJ-3GEYJ102V
13	1	R5	100k $\Omega$ , 1/10W, 5% chip resistor	SMD0603	Panasonic	ERJ-3GEYJ104V
14	1	U1	Hysteretic Buck LED Driver with integrated FET	DFN-8	Supertex	HV9919BDK7-G

**Supertex inc.** does not recommend the use of its products in life support applications, and will not knowingly sell them for use in such applications unless it receives an adequate "product liability indemnification insurance agreement." **Supertex inc.** does not assume responsibility for use of devices described, and limits its liability to the replacement of the devices determined defective due to workmanship. No responsibility is assumed for possible omissions and inaccuracies. Circuitry and specifications are subject to change without notice. For the latest product specifications refer to the **Supertex inc.** (website: <http://www.supertex.com>)