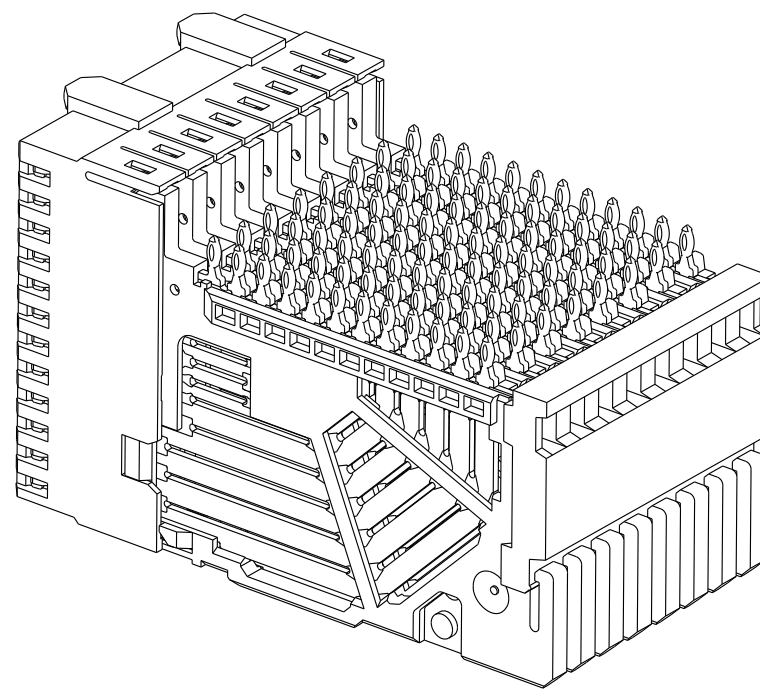
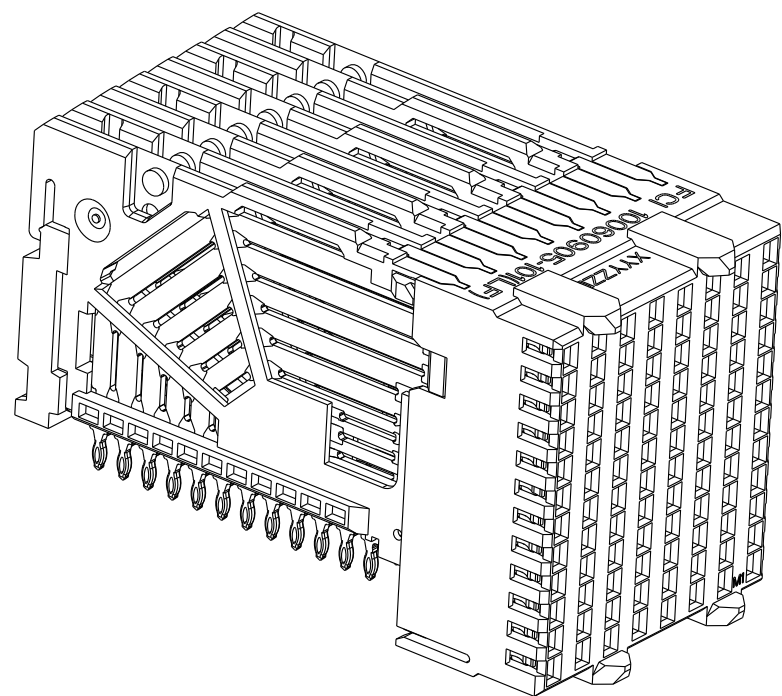
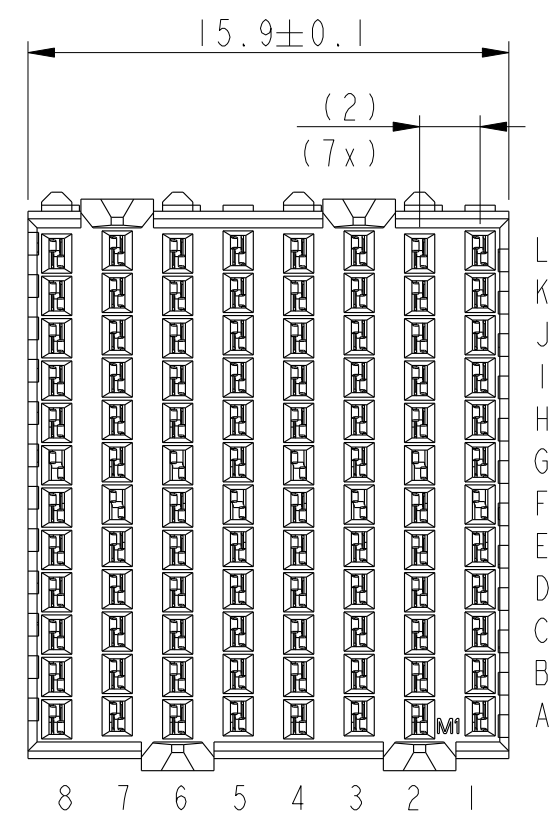
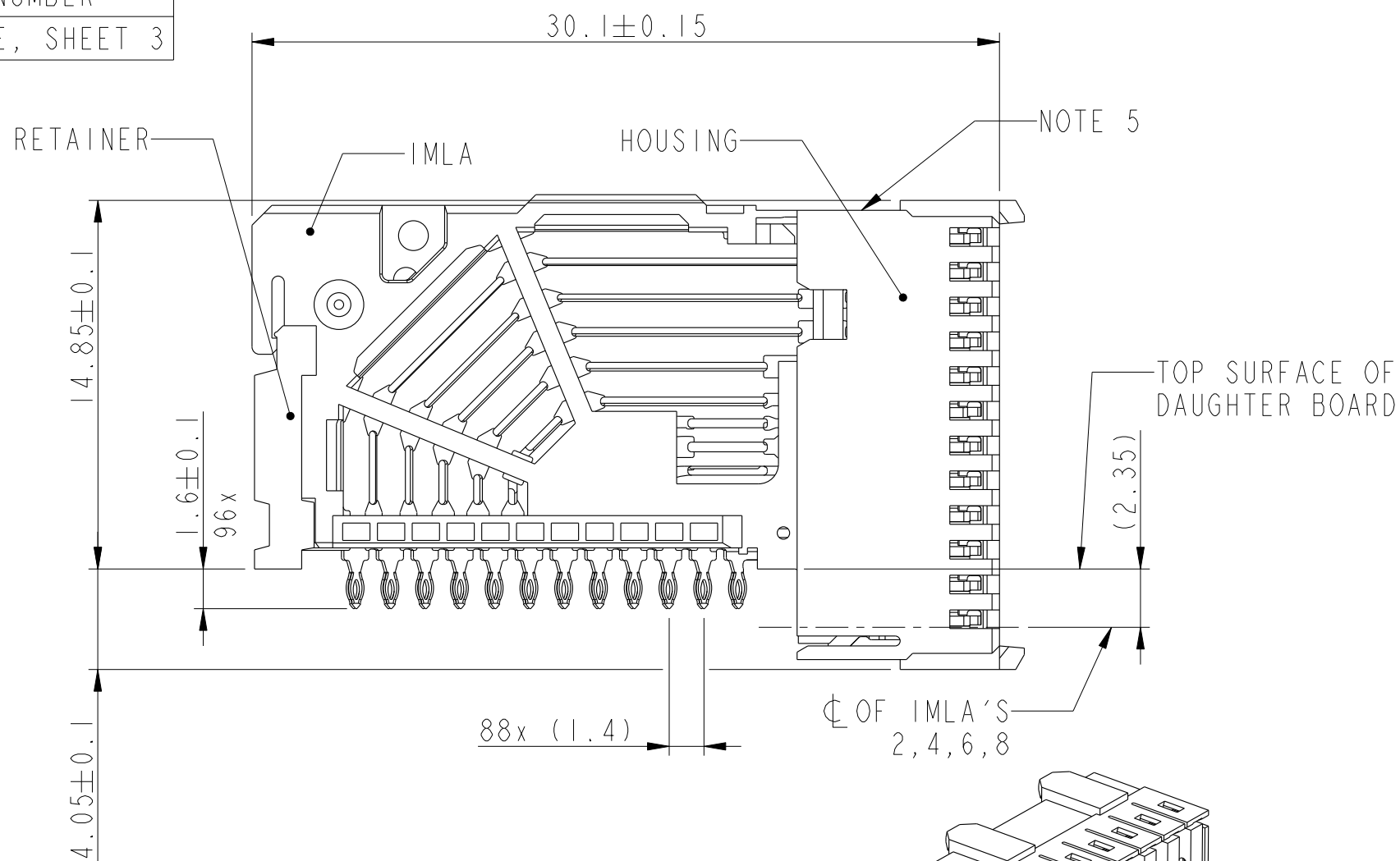


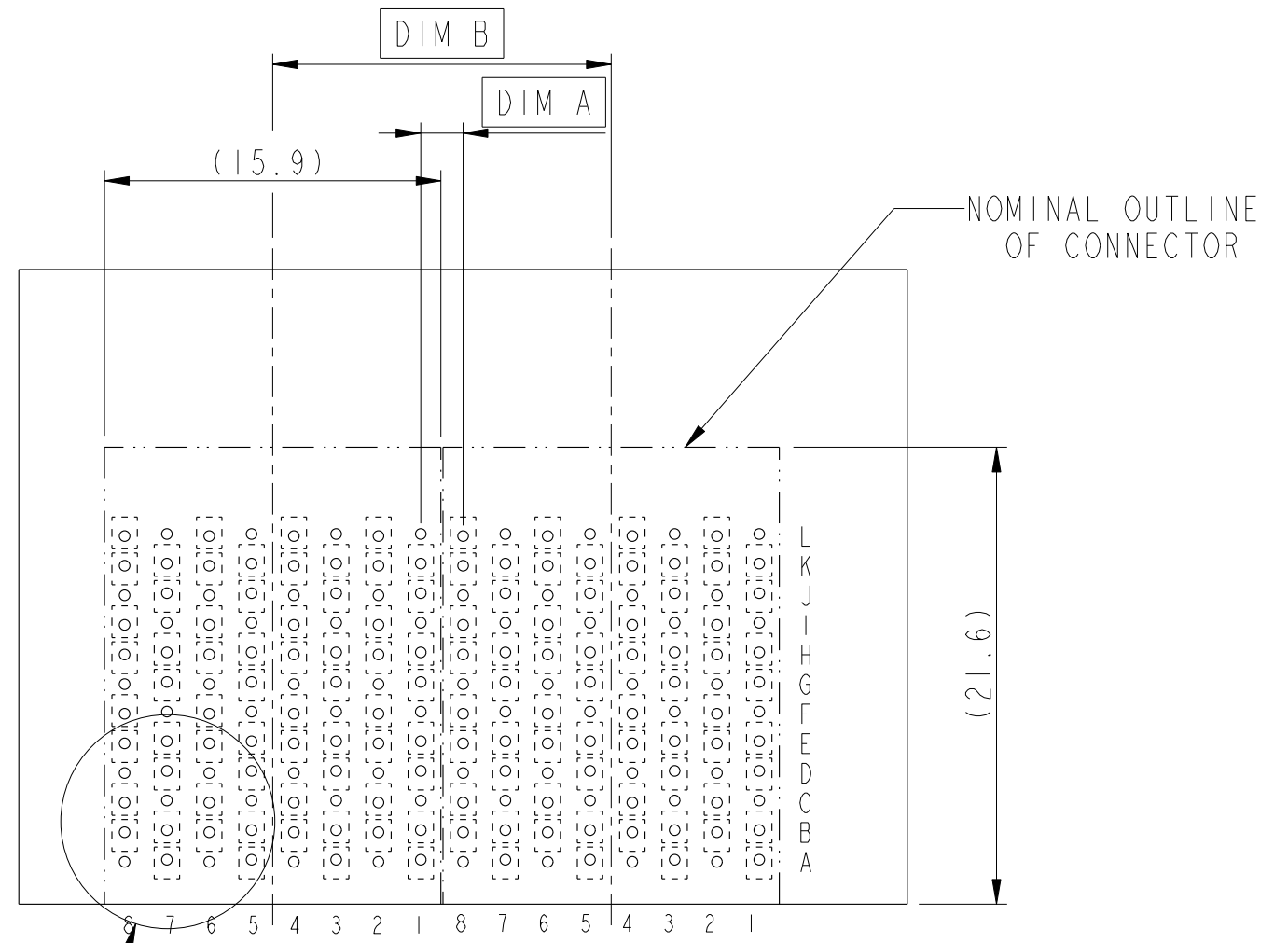
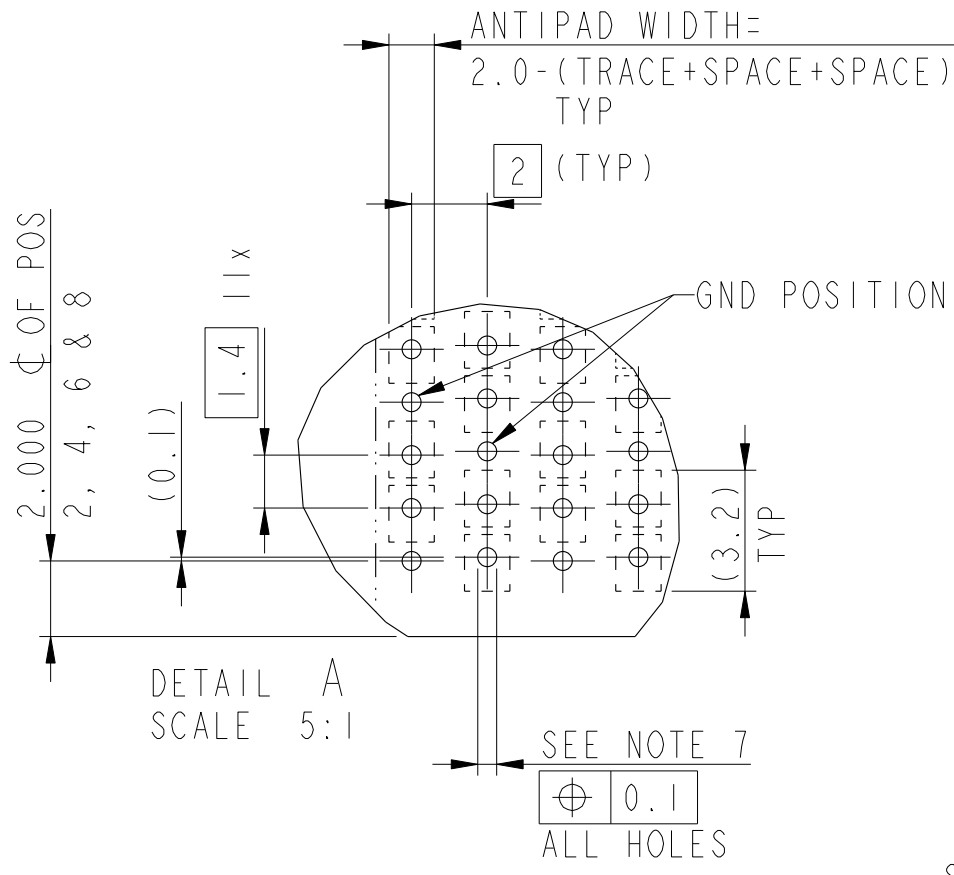
PRODUCT-NUMBER
SEE TABLE, SHEET 3



Copyright FCI.

| rev | ecn no | dr | date |
|-----|----------|-----|------------|
| A | H06-0054 | VWO | 2006-04-07 |
| B | S08-0036 | LS | 2008-02-12 |
| C | S08-0252 | LS | 2008-07-31 |
| D | S09-0324 | KHL | 2009-10-20 |
| E | S09-0404 | KHL | 2009-12-10 |
| - | - | - | - |
| - | - | - | - |

| | | | | |
|--------------------|-------------|---------------------------------------------------------------------|-----------------------------------|------------------|
| www.fciconnect.com | | surface ISO 1302 | tolerance std ISO 406 ISO 1101 | projection MM |
| | | TOLERANCES UNLESS OTHERWISE SPECIFIED | | ← → |
| Dr | H V WOENSEL | 2005-09-19 | ANGULAR | 0.X ±0.3 |
| Eng | L.S NGWE | 2008-07-31 | LINEAR | 0.XX ±0.10 |
| Chr | KH LEE | 2009-12-10 | 0° ±° | 0.XXX ±0.050 |
| Appr | JOEY NG | 2009-12-10 | Product family | size A3 |
| | | | | ECN S09-0404 |
| | | | | Spec ref - |
| FCI | | Title AirMax VS R.A Receptacle Ass'y, 4pair, 96pos, 8 IMLA, 16mm | | Rev. E |
| catalog no | | - | | dwg no 10060905 |
| | | CUSTOMER | | sheet 1 of 3 |



RECOMMENDED PCB LAYOUT
FOR DIFFERENTIAL APPLICATIONS
COMPONENT SIDE
(TWO ADJACENT FOOTPRINTS SHOWN)

SEE DETAIL A

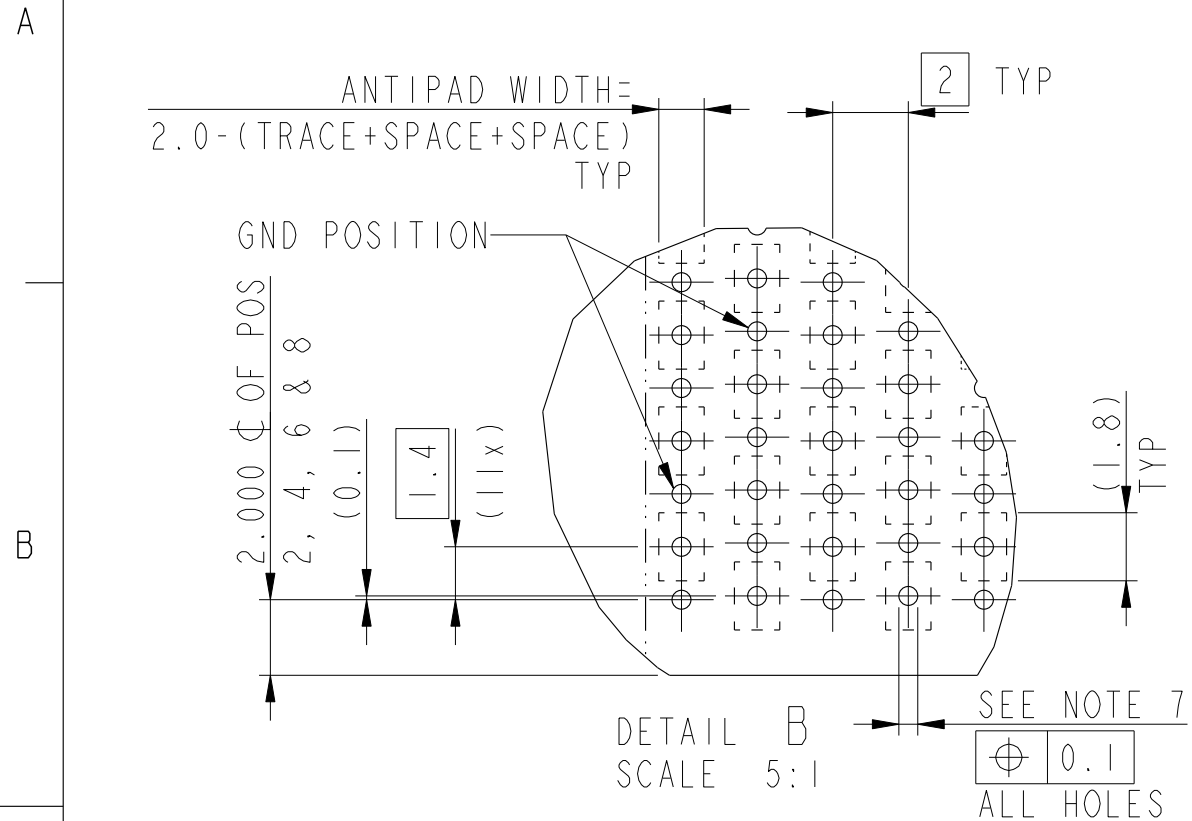
| ADJACENT HEADER WIDTH | DIM A | DIM B |
|-----------------------|-------|-------|
| 16MM/16MM | 2MM | 16MM |
| 16MM/18MM | 3MM | 17MM |
| 18MM/18MM | 4MM | 18MM |

| | | | |
|--|---------------------------------------------------------------------|-----------------|--------------|
| | Title AirMax VS R.A Receptacle Ass'y, 4pair, 96pos, 8 IMLA, 16mm | dwg no 10060905 | Rev. E |
| | catalog no - | CUSTOMER | sheet 2 of 3 |

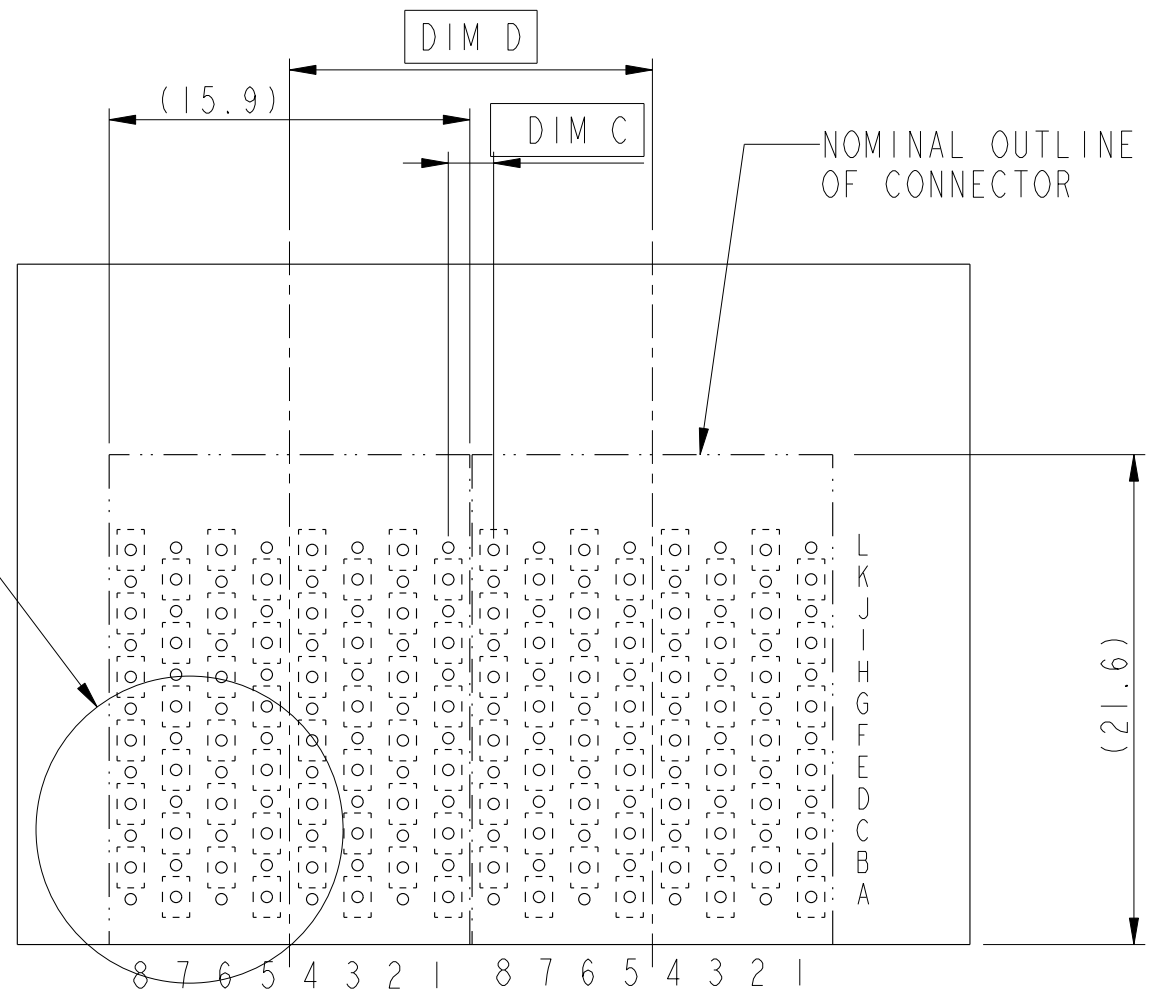


Copyright FCI.

| | |
|----------------|-----------------------------|
| PART NUMBER | PRESS FIT TAIL PLATING TYPE |
| 10060905-101 | TIN/LEAD ALLOY OVER NICKEL |
| 10060905-101LF | LEAD FREE |



SEE DETAIL B



RECOMMENDED PCB LAYOUT
FOR SINGLE ENDED APPLICATIONS
COMPONENT SIDE
(TWO ADJACENT FOOTPRINTS SHOWN)

| ADJACENT HEADER WIDTH | DIM C | DIM D |
|-----------------------|-------|-------|
| 16MM/16MM | 2MM | 16MM |
| 16MM/18MM | 3MM | 17MM |
| 18MM/18MM | 4MM | 18MM |

NOTES:

- CONNECTOR MATERIALS:
HOUSING & RETAINER: HIGH TEMP THERMOPLASTIC, NATURAL, UL94V-0
IMLA PLASTIC: HIGH TEMP PLASTIC, BLACK, UL94V-0
CONTACT: COPPER ALLOY
- CONTACT PLATING:
SEPARABLE INTERFACE: PERFORMANCE BASED PLATING, QUALIFIED TO MEET THE REQUIREMENTS OF FCI PRODUCT SPECIFICATION GS-12-239, INCLUDING TELCORDIA GR-1217-CORE (NOV 1995) CENTRAL OFFICE TEST SEQUENCE.
PRESS-FIT TAILS: SEE TABLE
- PRODUCT SPECIFICATION: GS-12-239
- APPLICATION SPECIFICATION: GS-20-035.
- PRODUCT MARKING, (PARTNUMBER & LOT CODE), ON THIS SURFACE
- THERE IS NO GROUND BUSSING WITHIN THE CONNECTOR SYSTEM.
- SEE CUSTOMER DRAWING 10045979 FOR INFORMATION ON PCB HOLE DIAMETER AND PLATING OPTIONS.
- THIS PRODUCT MEETS EUROPEAN UNION DIRECTIVES AND OTHER COUNTRY REGULATIONS AS DESCRIBED IN GS-22-008.
- THE HOUSING WILL WITHSTAND EXPOSURE TO 260 °C PEAK TEMPERATURE FOR 40 SECONDS IN A CONVECTOR, INFRA-RED OR VAPOR PHASE REFLOW OVEN.
- PACKAGING MEETS GS-14-920 LEAD FREE LABELLING SPECIFICATION

II. A $\triangle E$ SYMBOL WILL BE NEXT TO ANY DIMENSION, VIEW, OR NOTE WHICH HAS BEEN MODIFIED WITH THE CURRENT DRAWING REVISION.

| | | | | | | |
|-----|-----------------------------------|--------------------------|--------|--------------|------|---|
| FCI | Title | AirMax VS R.A Receptacle | dwg no | 10060905 | Rev. | E |
| | Ass'y, 4pair, 96pos, 8 IMLA, 16mm | customer | | sheet 3 of 3 | | |
| | catalog no | - | | | | |