

THIS DRAWING IS UNPUBLISHED.

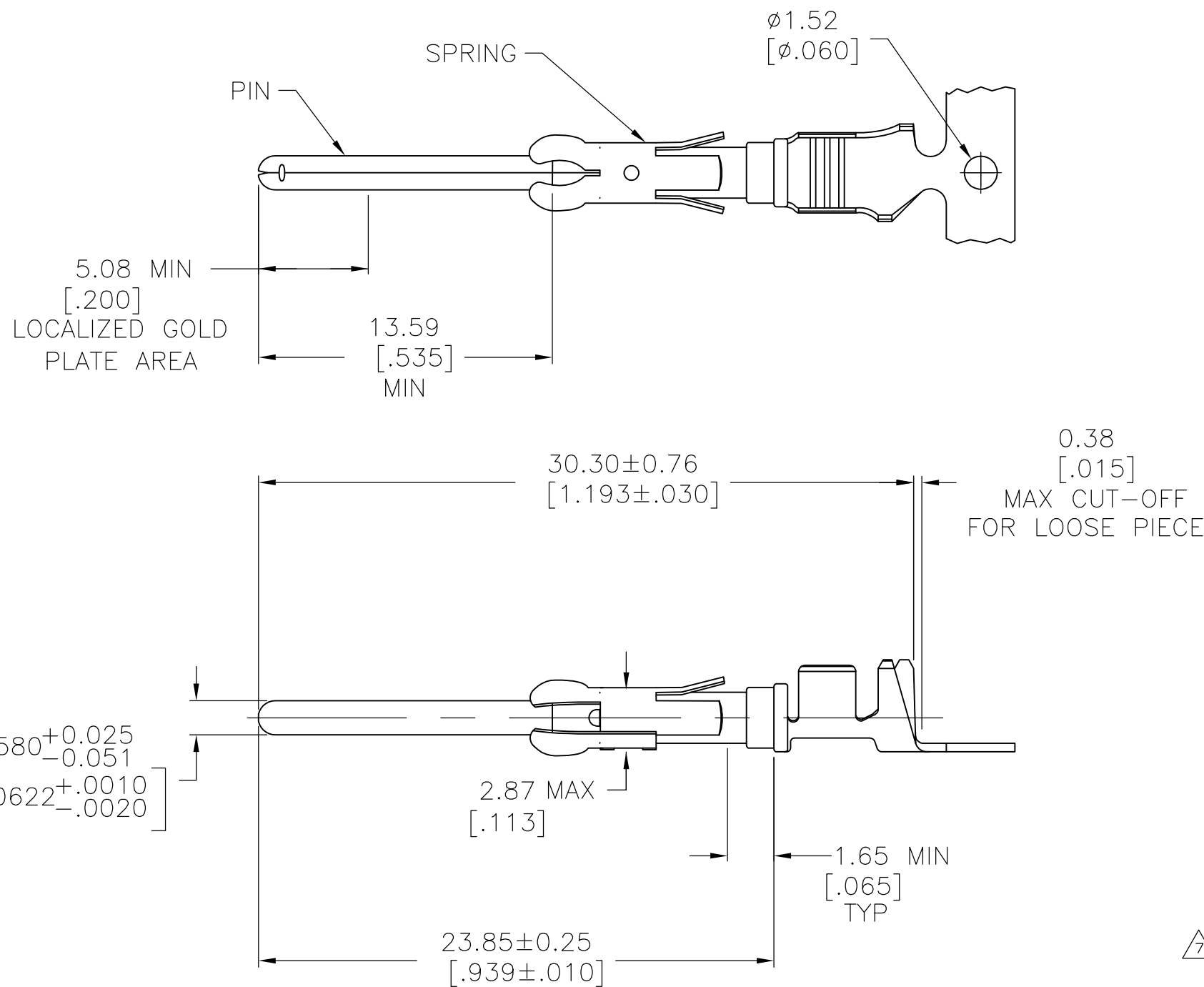
RELEASED FOR PUBLICATION

ALL RIGHTS RESERVED.

© COPYRIGHT - By -

REVISIONS

P	LTR	DESCRIPTION	DATE	DWN	APVD
	F3	REVISED PER ECO-16-004800	08SEP2016	NK	MZ



- 1 STAINLESS STEEL.
- 2 BRASS.
- 3 1.27 μ m [.000050] MIN TIN-LEAD OVER 1.27 μ m [.000050] MIN NICKEL.
- 4 WIRE RANGE: 14-18 AWG. INSULATION RANGE: 2.79-3.81 [.110-.150] DIA.
- 5 0.76 μ m [.000030] MIN GOLD IN LOCALIZED GOLD PLATE AREA, OVER 1.27 μ m [.000050] MIN NICKEL.
- 6 1.27 μ m [.000050] MIN TIN OVER 1.27 μ m [.000050] MIN NICKEL.
- 7 OBSOLETE PARTS: OBSOLETE CIS STREAMLINING PER D.RENAUD/D.SINISI

	LOOSE PIECE	6	213603-6
	STRIP	6	213603-5
7	OBSOLETE LOOSE PIECE	5	213603-4
	STRIP	5	213603-3
OBSOLETE	LOOSE PIECE	3	213603-2
	STRIP	3	213603-1
	DESCRIPTION	PIN FINISH	PART NO.

THIS DRAWING IS A CONTROLLED DOCUMENT.		DWN	05/07/90		STE TE Connectivity				
		L.SIPE	5-17-90						
		CHK	R STONE						
		APVD	-						
DIMENSIONS: mm [INCHES]		TOLERANCES UNLESS OTHERWISE SPECIFIED:		NAME					
		0 PLC	± -		PIN ASSEMBLY, 5015 SERIES, 14-18 AWG, SPECIAL TYPE III+				
		1 PLC	± -						
		2 PLC	± 0.13 [.005]						
		3 PLC	± -						
		4 PLC	± -		SIZE	CAGE CODE	DRAWING NO	RESTRICTED TO	
		ANGLES	± -		A3	00779	C-213603	-	
MATERIAL		FINISH		WEIGHT		SCALE		SHEET	REV
SPRING: 1		SEE TABLE		CUSTOMER DRAWING		4:1		1 OF 1	F3
PIN: 1									