

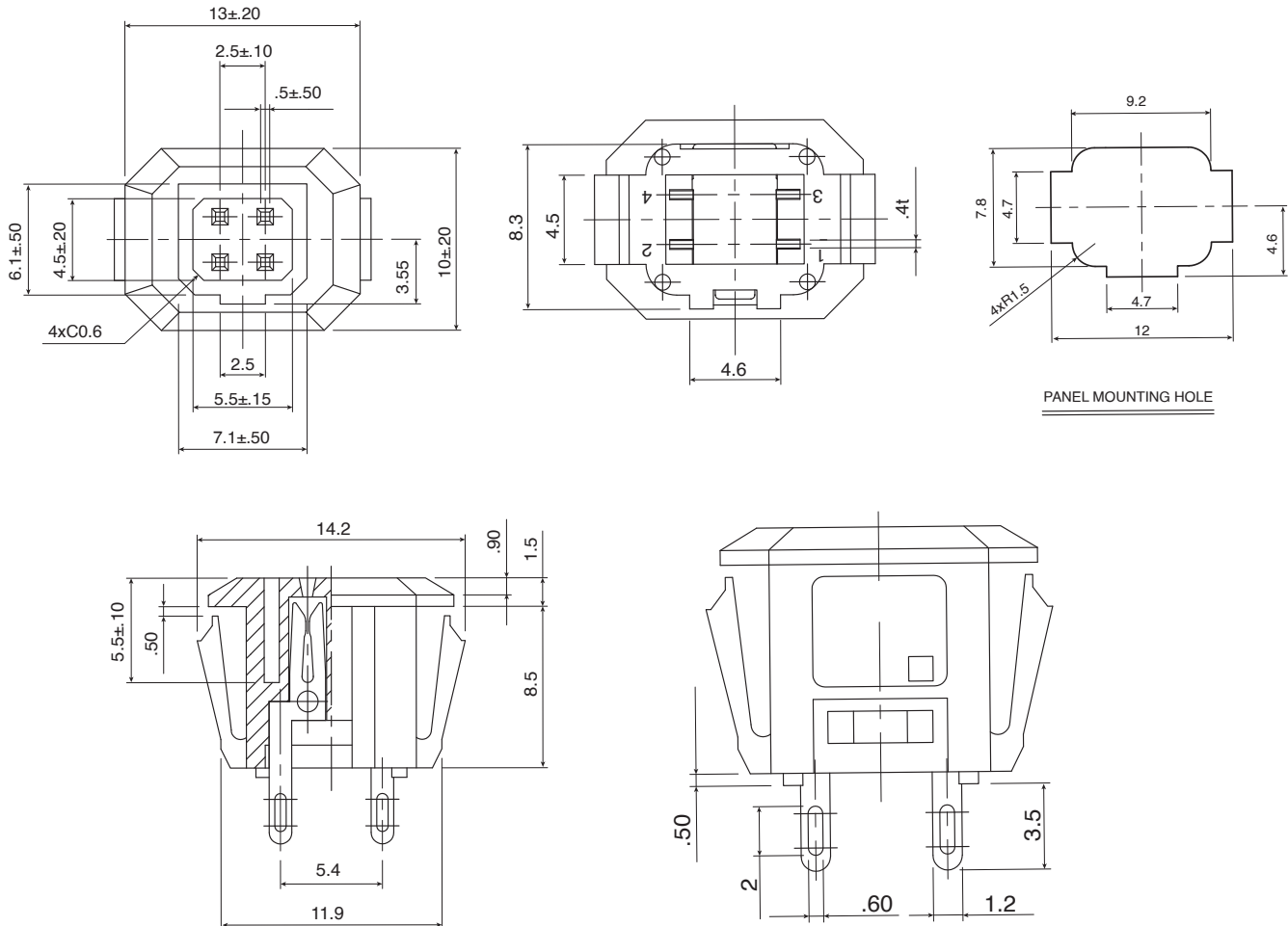


# Panel Mount Connector

161-RB020-EX

DIMENSIONS: mm

Date Last Revised: 8/20/19



## SPECIFICATIONS:

- Rating: 0.5A/30VDC
- Contact Resistance: 20mΩ MAX.
- Insulation Resistance: 100VDC 100MΩ MIN.
- Dielectric Strength: 150VAC For 1 Minute

## Note:

- RoHS Compliant by Exemption

Available from Mouser Electronics  
1-800-346-6873 / [www.mouser.com](http://www.mouser.com)

KC-301478