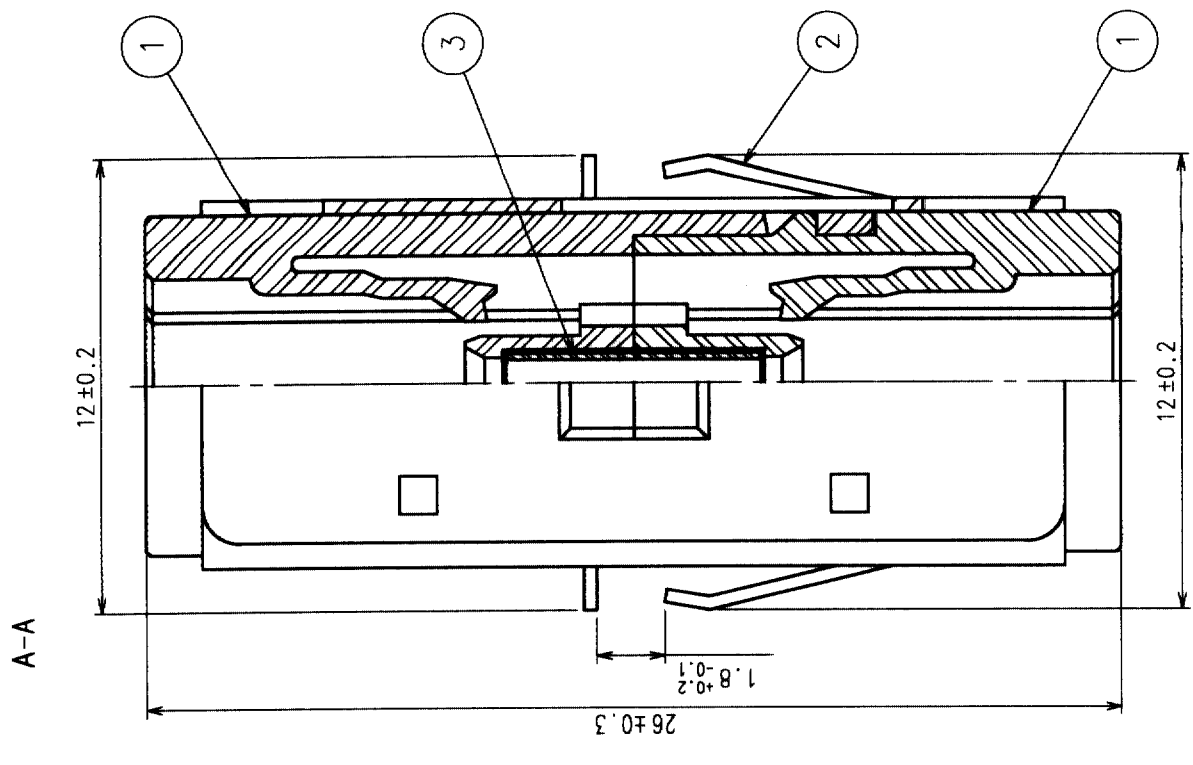
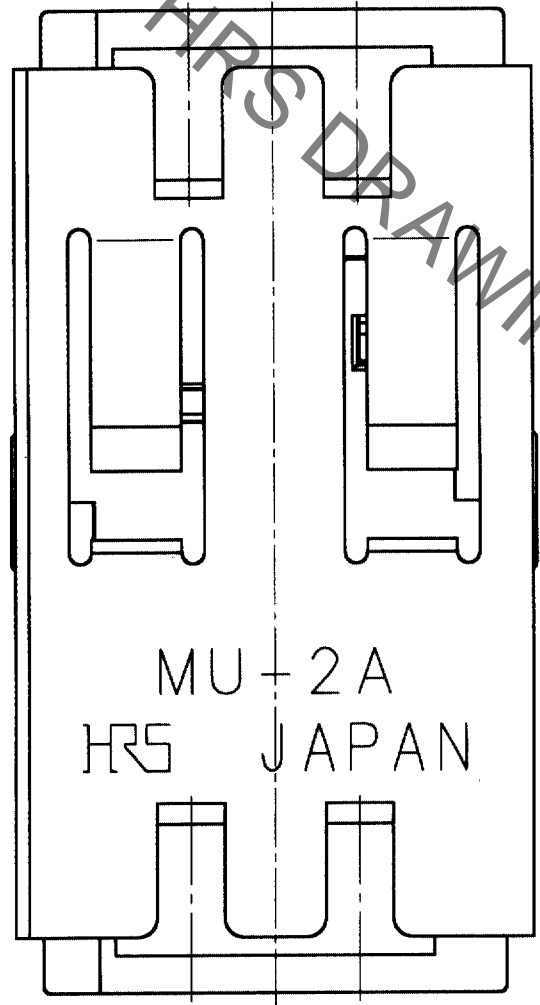
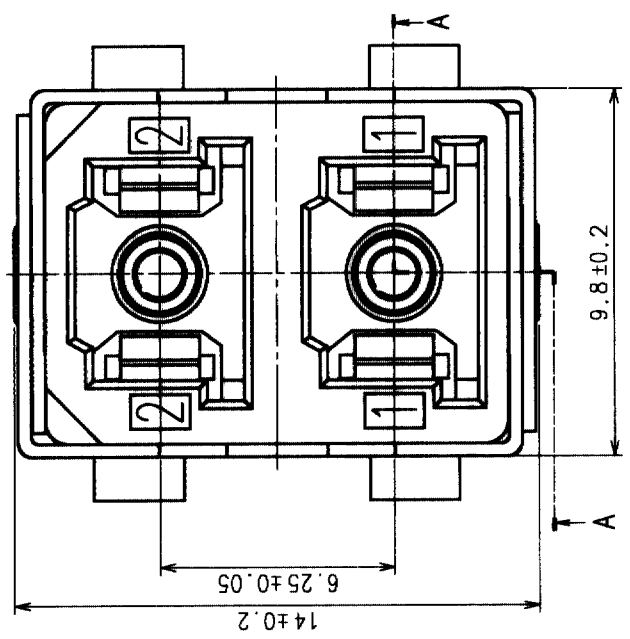
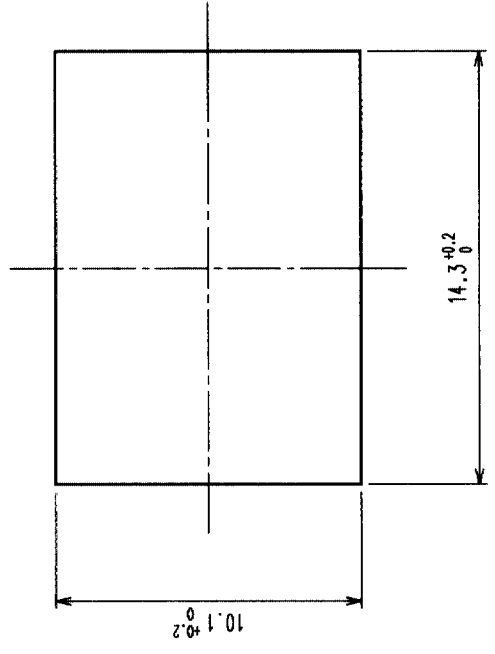


Jul. 1. 2019 Copyright 2019 HIROSE ELECTRIC CO., LTD. All Rights Reserved.  
 In case of consideration for using Automotive equipment / device which demand high reliability, kindly contact our sales window correspondents.

COUNT	DESCRIPTION OF REVISIONS	BY	CHKD	DATE	COUNT	DESCRIPTION OF REVISIONS	BY	CHKD	DATE
1	RE-K-01750	Y.S.	M.I.	02.11.13					



RECOMMENDED PANEL CUTOUT  
 (PANEL THICKNESS, 1.6)



2	STA INLESS STEEL		4	SYNTHETIC RESIN	
1	SYNTHETIC RESIN		3	ZIRCONIA	
NO.	MATERIAL	FINISH, REMARKS	NO.	MATERIAL	FINISH, REMARKS
CODE NO. (OLD) CL799-2880-7			DRAWN Y.SATO		DESIGNED Y.SATO
			CHECKED M. INOUE		APPROVED F. NAGA
			02.09.06		02.09.06
			02.09.06		02.09.09
			02.09.06		02.09.09
DRAWING NO. EDC3-175148		PART NO. HMUA-2AK-1		RELEASED	
SCALE 5 : 1			CODE NO. CL710-0196-9		1/1
UNITS MM	HIROSE ELECTRIC CO., LTD				

TO	
----	--