

0900-0



0900-0-15-20-76-14-11-0

“Legacy P/N 0900-0-00-00-00-00-11-0”
Short Stroke, Surface mount
Lowest profile

0900-1⇒4,8



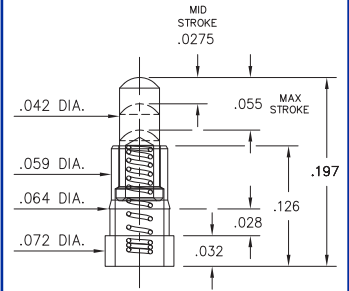
0900-X-15-20-75-14-11-0

“Legacy P/N 0900-X-00-00-00-00-11-0”
Standard Stroke, Surface mount

Basic Part Number	Length A
0900-1	.177
0900-2	.197
0900-3	.217
0900-4	.236
*0900-8	.155

*0900-8 has a .0195" Mid. Stroke & .039" Max. Stroke
Order as:
0900-8-15-20-76-14-11-0

0934



0934-0-15-20-74-14-26-0

Standard Stroke
Surface mount

0936



0936-0-15-20-75-14-11-0

Standard Stroke
Surface mount

0928



0928-0-15-20-77-14-11-0

Long Stroke
Surface mount

0907-0⇒9



0907-X-15-20-75-14-11-0

Standard Stroke, Surface mount
High profile

Basic Part Number	Length A
0907-0	.255
0907-1	.275
0907-2	.295
0907-3	.315
0907-4	.335
0907-5	.350
0907-6	.370
0907-7	.390
0907-8	.410
0907-9	.430

0913



0913-0-15-20-77-14-11-0

Long Stroke
Surface mount

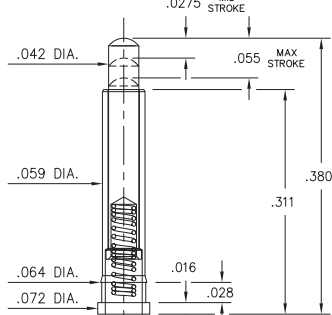
0925



0925-0-15-20-73-14-26-0

Standard Stroke
Surface mount

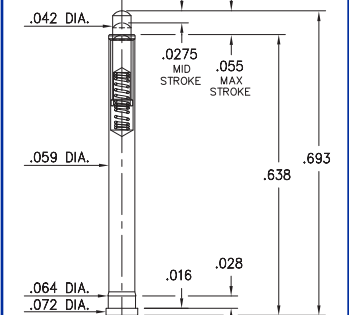
0927



0927-0-15-20-75-14-11-0

Standard Stroke
Surface mount

0905



0905-0-15-20-75-14-11-0

“Legacy P/N 0905-0-00-00-00-00-11-0”
Standard Stroke, Surface mount

ORDER CODE: 09XX - X - 15 - 20 - 7X - 14 - XX - 0

Spring Number ↗

MATERIAL SPECIFICATIONS:

SLEEVE & PLUNGER MATERIAL: Copper Alloy
SPRING MATERIAL: Beryllium Copper
SLEEVE & PLUNGER FINISH: 20 μ" Gold over Nickel
SPRING FINISH: 10 μ" Gold over Nickel
DIMENSION IN INCHES:
TOLERANCES ON: LENGTHS: ±.006
DIAMETERS: ±.002
ANGLES: ± 2°



MECHANICAL & ELECTRICAL SPECIFICATIONS:

DURABILITY: 1,000,000 cycles

CURRENT RATING: 2A continuous, 3A peak

CONTACT RESISTANCE: 20 mΩ max.

SPRING NUMBER	Mid. STROKE	Max. STROKE	FORCE @ Mid. Stroke	Initial Force (Pre-load)
73	.0275	.055	60 g	25 g
74	.0275	.055	50 g	15 g
75	.0275	.055	60 g	25 g
76	.0195	.039	60 g	25 g
77	.045	.090	60 g	25 g

73, 74, 75, 76, 77 Springs are not Interchangeable