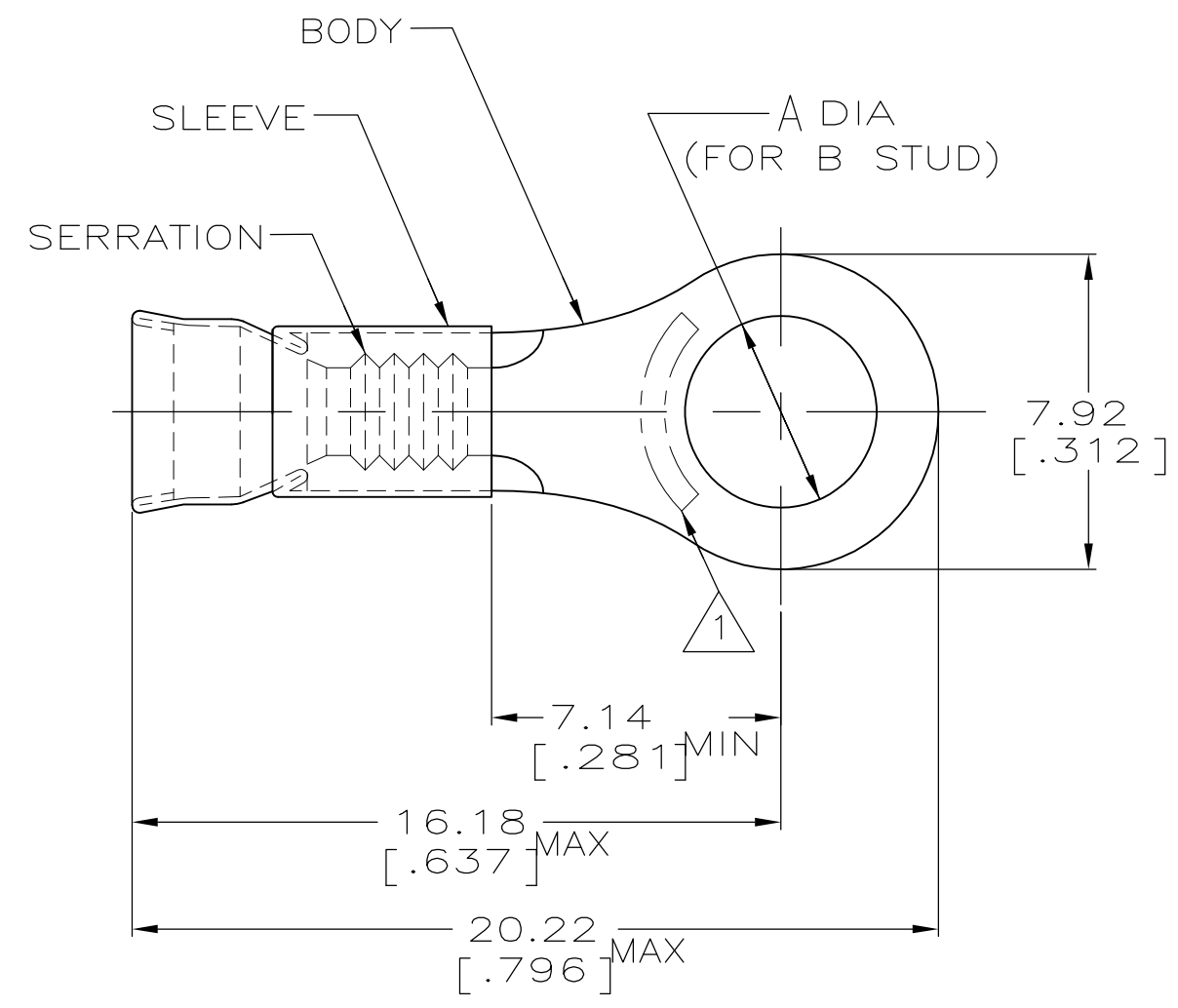


THIS DRAWING IS UNPUBLISHED. RELEASED FOR PUBLICATION
 © COPYRIGHT - By - ALL RIGHTS RESERVED.

LOC	DIST	REVISIONS					
		P	LTR	DESCRIPTION	DATE	DWN	APVD
G	14		J4	REVISED PER ECO-12-003796	28FEB12	KH	DR



- 1 SEE TABLE FOR STAMPING
22-16 TERMINALS ARE STAMPED 22-18 IN ACCORDANCE WITH MILITARY SPEC SAE AS7928
COMMERCIAL WIRE RANGE IS 22-16
- 2 WIRE INSUL DIA, 2.67-3.56 [.105-.140]
- 3 TONGUE MATL THK, 0.79±0.05 [.031±.002]
- 4 BODY: GOLD PLATE 0.00127[.000050] MIN EXT. THK PER ASTM B488, TYPE 1, CODE C OVER NICKEL FLASH PER SAE AMS QQ-N-290 OVER WOODS NICKEL FLASH PER ASTM B558.
- 5 NOTE DELETED

MAX RECOMMENDED TEMPATURURE	FINISH	STAMPING	A	B	BODY MATERIAL	SLV COLOR	QTY	PACKAGE TYPE	PART NO
260°[500°F]	4	AMP 22-18	4.34±0.08[.171±.003]	M4[#8]	NICKEL PER ASTM B162	ORANGE	500	LOOSE PIECE	321897-1
649°[1200°F]	-	AMP 22-18AL	5.20±0.10[.205±.004]	M5	ALUMEL	GREEN	500	LOOSE PIECE	1-321897-5
	-	AMP 22-18CH	5.00±0.08[.197±.003]	#10	CHROMEL	GRAY	500	LOOSE PIECE	1-321897-4
	-	AMP 22-18AL	4.34±0.08[.171±.003]	M4[#8]	ALUMEL	GREEN	500	LOOSE PIECE	1-321897-3
	-	AMP 22-18CH	4.34±0.08[.171±.003]	M4[#8]	CHROMEL	GRAY	500	LOOSE PIECE	1-321897-0
	-	AMP 22-18	4.34±0.08[.171±.003]	M4[#8]	NICKEL PER ASTM B162	ORANGE	1000	LOOSE PIECE	321897

AMP INCORPORATED CUSTOMER SERVICE SYSTEM		MAX RECOMMENDED OPERATING TEMPERATURE: SEE TABLE	THIS DRAWING IS A CONTROLLED DOCUMENT.		DWN L OLMEDA 100CT94	TE Connectivity NAME TERMINAL, RING TONGUE, STRATOTHERM, DIAMOND GRIP, WIRE SIZE: 22-16							
FOR ADDITIONAL PRODUCT INFORMATION OR COPIES OF DRAWINGS AND TECHNICAL DOCUMENTS	PRODUCT INFORMATION CENTER 1-800-522-6752	VOLTAGE RATING: -	DIMENSIONS: mm [INCHES]	TOLERANCES UNLESS OTHERWISE SPECIFIED:	CHK M ELLIS 100CT94					APVD S BORTNER 100CT94	PRODUCT SPEC	APPLICATION SPEC	RESTRICTED TO
FOR APPLICATION TOOLING INFORMATION	TOOLING ASSISTANCE CENTER 1-800-722-1111	CIRCULAR MIL AREA: 0.26mm ² -1.65mm ² [509-3260]			0 PLC ± - 1 PLC ± - 2 PLC ± 0.20 [.008] 3 PLC ± - 4 PLC ± - ANGLES ± -	FINISH	WEIGHT	SIZE A3	CAGE CODE 00779	DRAWING NO C-321897	SCALE 6:1	SHEET 1 OF 1	REV J4
FOR ORDER ENTRY	1-800-526-5142	STRANDED WIRE	MATERIAL BODY, SEE TABLE SLEEVE, NI SIL PER ASTM B122		SEE TABLE	CUSTOMER DRAWING							