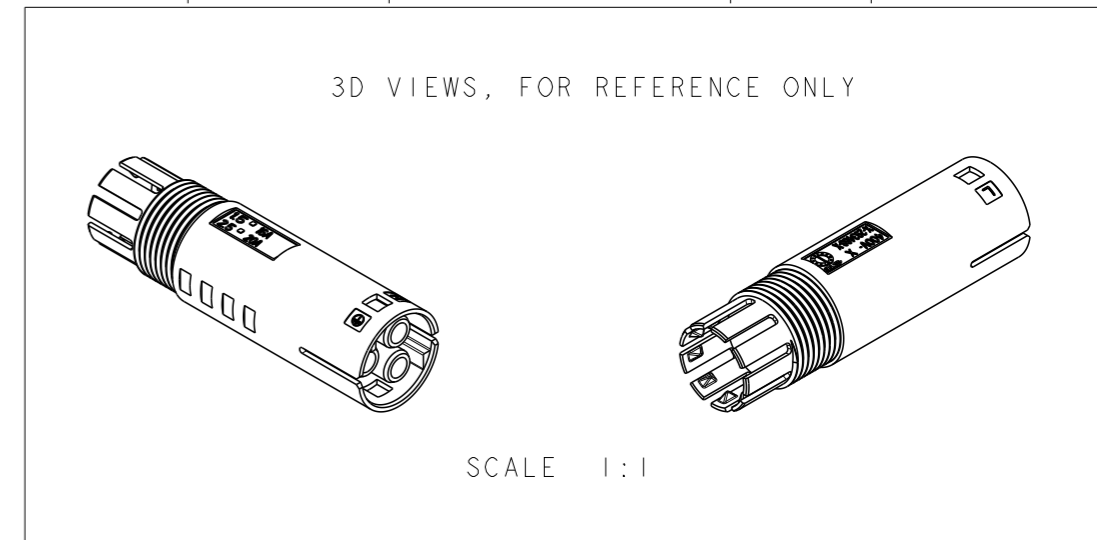
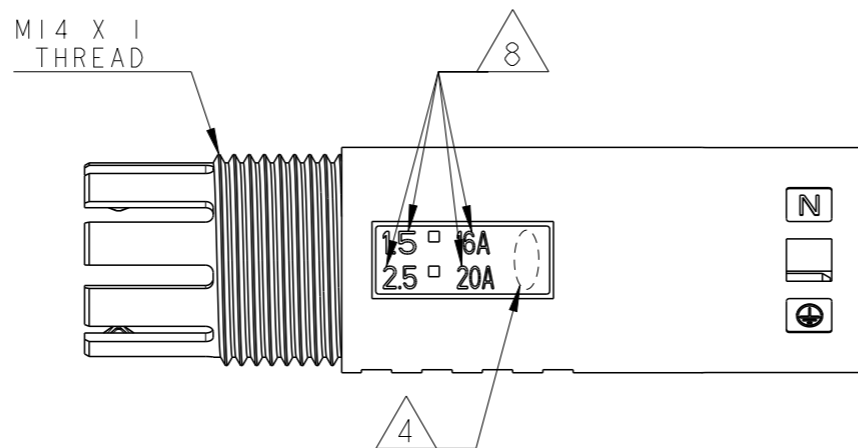
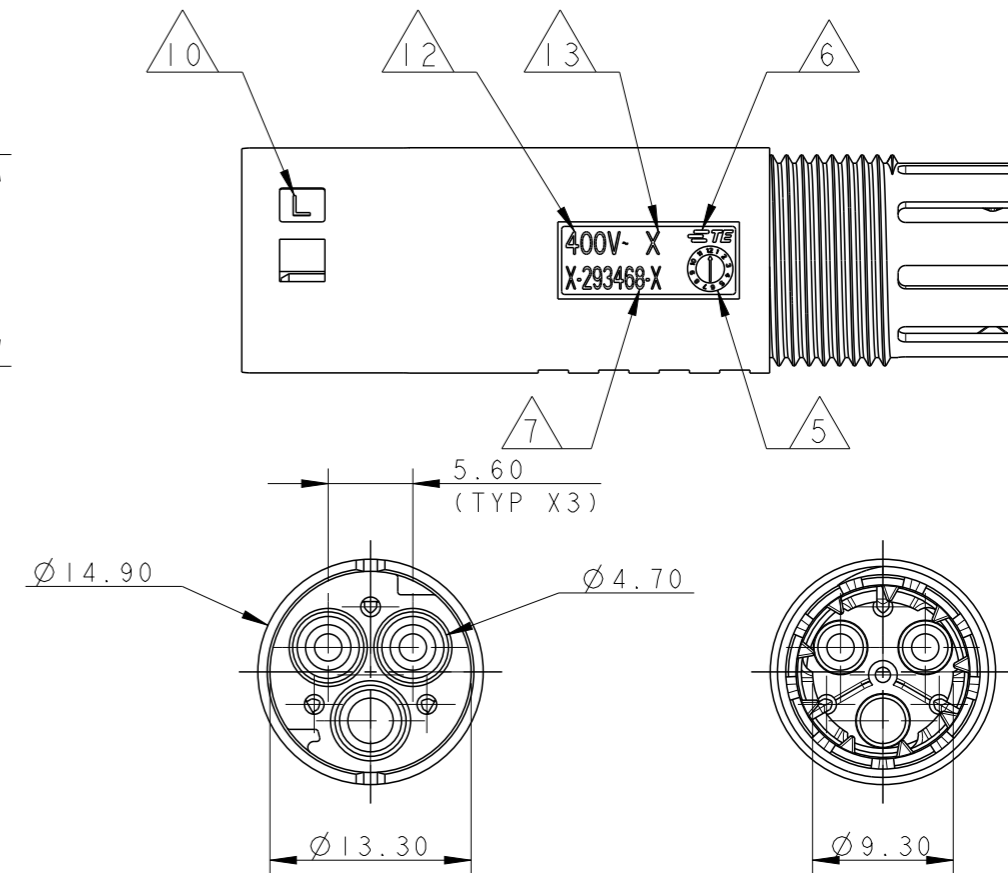
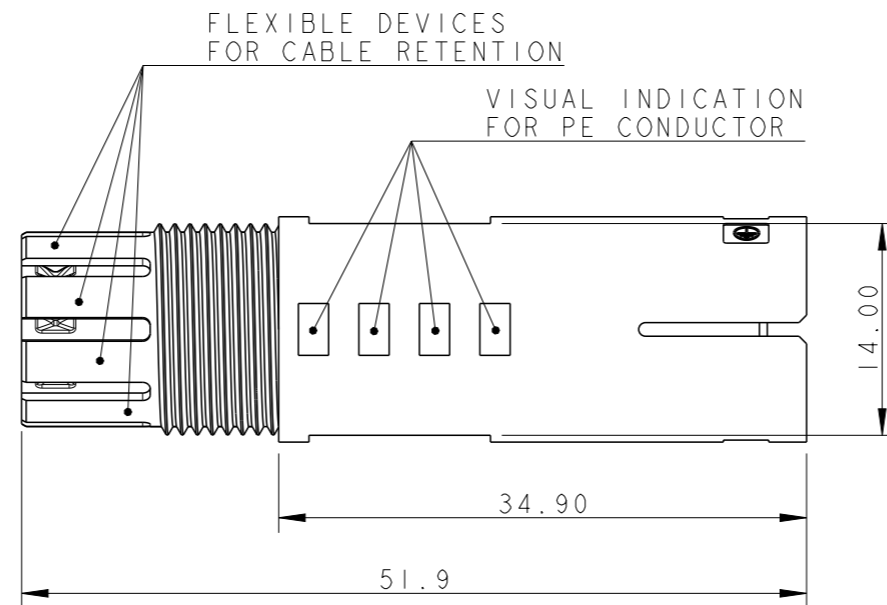



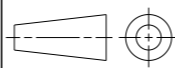
THIS DRAWING IS UNPUBLISHED. RELEASED FOR PUBLICATION 2010
 © COPYRIGHT 2010 Tyco Electronics AMP GmbH ALL RIGHTS RESERVED.

LOC	DIST	REVISIONS					
		P	LTR	DESCRIPTION	DATE	DWN	APVD
1	-		G	PARTS -1 AND 1-1 RELEASED FOR PRODUCTION	12SEP2011	MZ	GT
			G1	REVISED MARKINGS	01NOV2012	MZ	JC
			G2	PARTS -2, -3, 1-2, 1-3 RELEASED FOR PRODUCTION	26JUN2013	KR	JC
			G3	REVISED PART NUMBERS	21JUL2017	SK	ZM

NOTES:

- 1 MATERIAL: POLYAMIDE GLASS FILLED COLOUR NATURAL
- 2 MATERIAL: POLYAMIDE GLASS FILLED COLOUR BLACK
- 3) PACKAGING: SEE TE PACKAGING SPECIFICATION 107-20294
- 4 AREA FOR AGENCY APPROVAL LOGO
- 5 DATE CODE
- 6 TE LOGO
- 7 TE PART NUMBER
- 8 CONDUCTOR SIZE AND CURRENT RATING
- 9 N CODE
- 10 L CODE
- 11 PE CODE
- 12 RATED VOLTAGE
- 13 CAVITY MOULD NUMBER
- 14 PART NOT YET TOOLED AND RELEASED FOR PRODUCTION
- 15) FOR CABLE TYPE AND CABLE RANGE REFER TO CUSTOMER DRAWING 293607



THIS DRAWING IS A CONTROLLED DOCUMENT.		DWN M. ZUCCA 21OCT2009	 TE Connectivity	
DIMENSIONS: mm		CHK M. ZUCCA 21OCT2009		
TOLERANCES UNLESS OTHERWISE SPECIFIED:		APVD G. TURCO 21OCT2009	NAME SOCKET HOUSING FREE HANGING NECTOR* M-LINE 3 POSITIONS UNSEALED VERSION	
		PRODUCT SPEC 108-20304	SIZE A300779	
MATERIAL SEE NOTES		APPLICATION SPEC 114-20152	CAGE CODE G-293468	
FINISH -		WEIGHT ~4.6 g	DRAWING NO G-293468	
		Customer Drawing	SCALE 2:1	SHEET 1 OF 2
				REV G3

THIS DRAWING IS UNPUBLISHED.

RELEASED FOR PUBLICATION

2010

© COPYRIGHT 2010

Tyco Electronics AMP GmbH

ALL RIGHTS RESERVED.

LOC	DIST	REVISIONS					
		P	LTR	DESCRIPTION	DATE	DWN	APVD
1	-	-	-	SEE SHEET 1	-	-	-

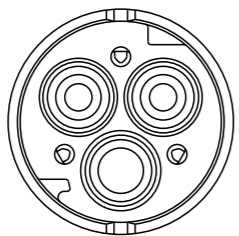
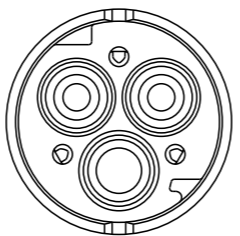
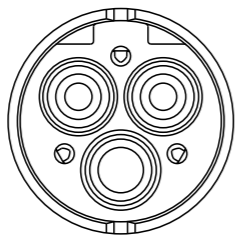
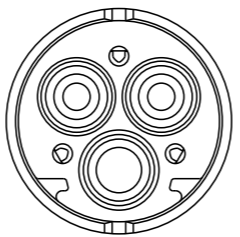

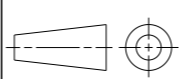
POLARIZATION TYPES	
TYPE "A"	TYPE "B"
	
P/Ns: 0-293468-1, 1-293468-1	P/Ns: 0-293468-2, 1-293468-2
TYPE "C"	TYPE "D"
	
P/Ns: 0-293468-3, 1-293468-3	P/Ns: 0-293468-4, 1-293468-4

TABLE 1					
NOTE	POL. KEYING	COLOUR	DESCRIPTION	REV.	PART NUMBER
	D	BLACK	SOCKET HOUSING FREE HANGING VERSION NECTOR* M-LINE	F	1-293468-4
	C	BLACK	SOCKET HOUSING FREE HANGING VERSION NECTOR* M-LINE	G	1-293468-3
	B	BLACK	SOCKET HOUSING FREE HANGING VERSION NECTOR* M-LINE	G	1-293468-2
	A	BLACK	SOCKET HOUSING FREE HANGING VERSION NECTOR* M-LINE	G	1-293468-1
	D	NATURAL	SOCKET HOUSING FREE HANGING VERSION NECTOR* M-LINE	F	0-293468-4
	C	NATURAL	SOCKET HOUSING FREE HANGING VERSION NECTOR* M-LINE	G	0-293468-3
	B	NATURAL	SOCKET HOUSING FREE HANGING VERSION NECTOR* M-LINE	G	0-293468-2
	A	NATURAL	SOCKET HOUSING FREE HANGING VERSION NECTOR* M-LINE	G	0-293468-1

THIS DRAWING IS A CONTROLLED DOCUMENT.		DWN M. ZUCCA 21OCT2009	 TE Connectivity	
DIMENSIONS: mm		CHK M. ZUCCA 21OCT2009		
TOLERANCES UNLESS OTHERWISE SPECIFIED:		APVD G. TURCO 21OCT2009	NAME SOCKET HOUSING FREE HANGING NECTOR* M-LINE 3 POSITIONS UNSEALED VERSION	
		PRODUCT SPEC 108-20304	SIZE A3	
MATERIAL SEE NOTES		APPLICATION SPEC 114-20152	CAGE CODE 00779	DRAWING NO G-293468
		WEIGHT ~4.6 g	RESTRICTED TO -	
		Customer Drawing	SCALE 2:1	SHEET 2 OF 2
			REV G3	