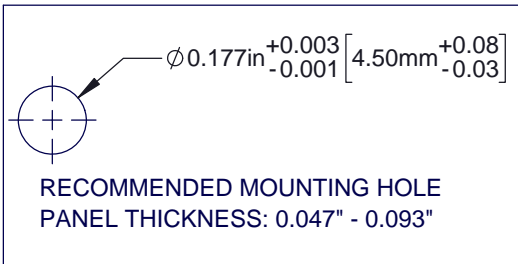
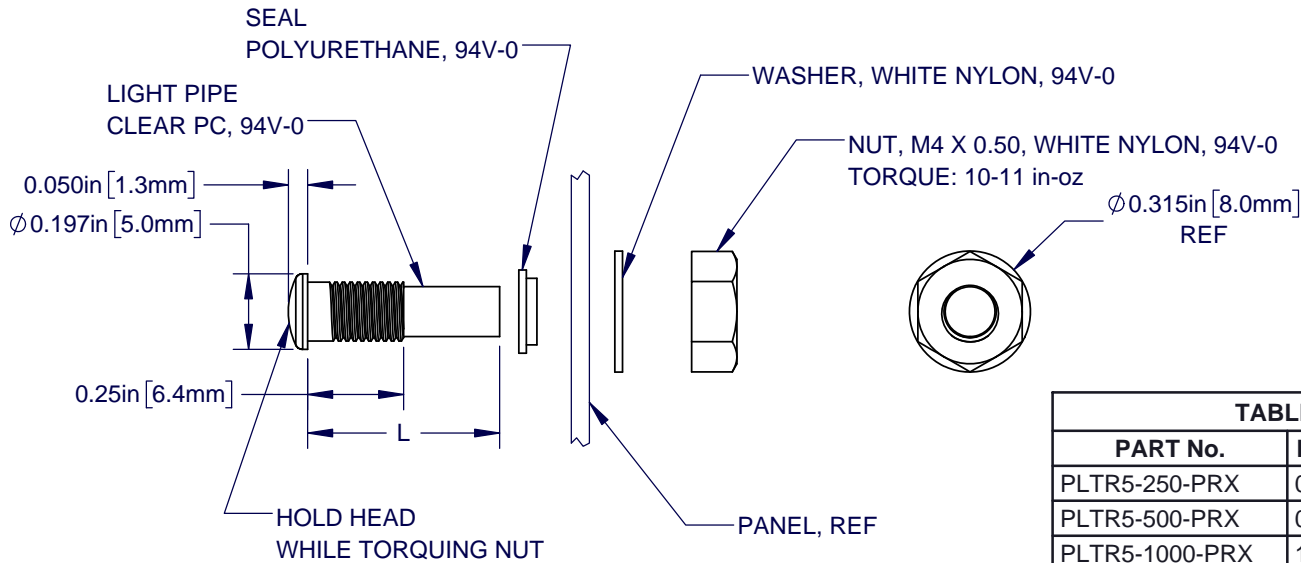


NOTES:

1. ALL ITEMS SHIPPED NON-ASSEMBLED.
2. SEALED TO IP67 RATING.

| REV. | DESCRIPTION         | DATE   | APPROVED |
|------|---------------------|--------|----------|
| B    | Engineering Release | 4/4/17 | J.C.     |
|      |                     |        |          |
|      |                     |        |          |
|      |                     |        |          |

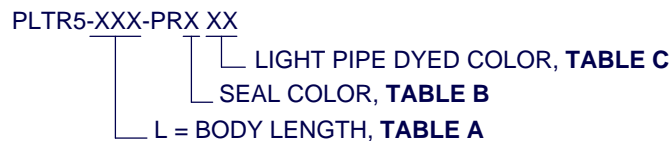


| TABLE A        |                 |
|----------------|-----------------|
| PART No.       | L = BODY LENGTH |
| PLTR5-250-PRX  | 0.250 (6.4mm)   |
| PLTR5-500-PRX  | 0.500 (12.7mm)  |
| PLTR5-1000-PRX | 1.000 (25.4mm)  |
| PLTR5-1500-PRX | 1.500 (38.1mm)  |
| PLTR5-2000-PRX | 2.000 (50.8mm)  |
| PLTR5-2500-PRX | 2.500 (63.5mm)  |
| PLTR5-3000-PRX | 3.000 (76.2mm)  |
| PLTR5-8MM-PRX  | 8mm (0.315")    |
| PLTR5-16MM-PRX | 16mm (0.630")   |
| PLTR5-24MM-PRX | 24mm (0.945")   |
| PLTR5-32MM-PRX | 32mm (1.260")   |
| PLTR5-40MM-PRX | 40mm (1.575")   |
| PLTR5-48MM-PRX | 48mm (1.890")   |
| PLTR5-56MM-PRX | 56mm (2.205")   |
| PLTR5-64MM-PRX | 64mm (2.520")   |
| PLTR5-72MM-PRX | 72mm (2.835")   |

| TABLE B (SEAL) |      |
|----------------|------|
| COLOR          | CODE |
| BLACK          | 1    |
| WHITE          | 2    |

| TABLE C (DYE) |       |
|---------------|-------|
| COLOR         | CODE  |
| BLUE          | BE    |
| BLACK         | BK    |
| GREEN         | GN    |
| GRAY          | GY    |
| RED           | RD    |
| YELLOW        | YW    |
| NONE          | BLANK |

PART NUMBER CONFIGURATION



|   |              |  |  |
|---|--------------|--|--|
| STANDARD TOLERANCE (UNLESS OTHERWISE SPECIFIED) |              | <br>4 THOMAS, IRVINE, CA. 92618<br>TEL: (949) 951-8808 FAX: (949) 951-3974 |  |
| DECIMALS  | ANGULAR      |  |  |
| .X ± .1   | X° ± 1°      | TITLE: LIGHT PIPE, 5mm, IP67   |  |
| .XX ± .01                                       |              |  |  |
| .XXX ± .005                                     |              | PART NO: PLTR5-XXX-PRX REVISION: B   |  |
| DESIGNED: TD. NGUYEN                            | DATE: 4/4/17 | CAGE CODE : 32559 SHEET # 1 OF 1   |  |
| CHECKED: J. CHIANG                              | DATE: 4/4/17 | CAD GENERATED DOCUMENT, DO NOT MEASURE DRAWING                             |  |