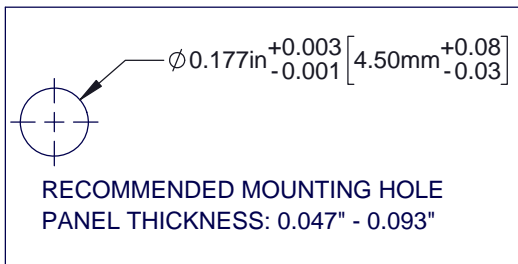
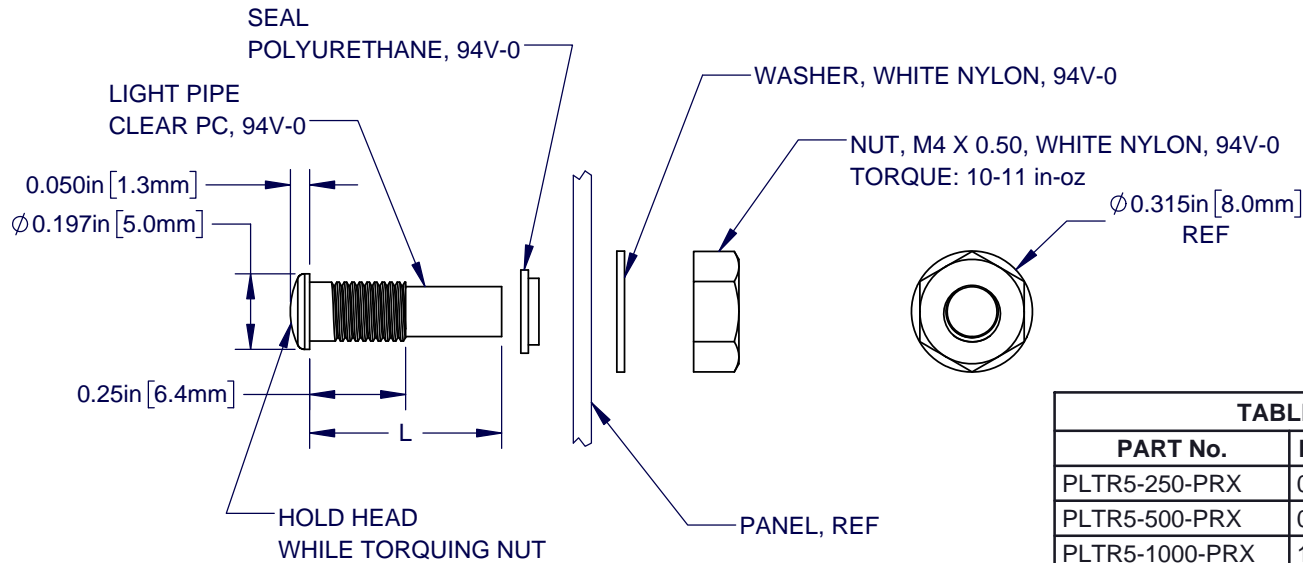


NOTES:

1. ALL ITEMS SHIPPED NON-ASSEMBLED.
2. SEALED TO IP67 RATING.

| REV. | DESCRIPTION | DATE | APPROVED |
|------|---------------------|--------|----------|
| B | Engineering Release | 4/4/17 | J.C. |
| | | | |
| | | | |
| | | | |

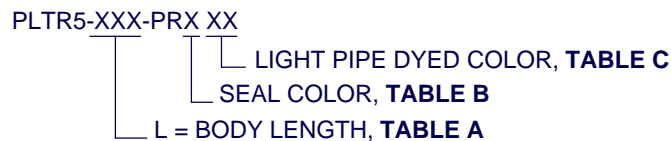


| TABLE A | |
|----------------|-----------------|
| PART No. | L = BODY LENGTH |
| PLTR5-250-PRX | 0.250 (6.4mm) |
| PLTR5-500-PRX | 0.500 (12.7mm) |
| PLTR5-1000-PRX | 1.000 (25.4mm) |
| PLTR5-1500-PRX | 1.500 (38.1mm) |
| PLTR5-2000-PRX | 2.000 (50.8mm) |
| PLTR5-2500-PRX | 2.500 (63.5mm) |
| PLTR5-3000-PRX | 3.000 (76.2mm) |
| PLTR5-8MM-PRX | 8mm (0.315") |
| PLTR5-16MM-PRX | 16mm (0.630") |
| PLTR5-24MM-PRX | 24mm (0.945") |
| PLTR5-32MM-PRX | 32mm (1.260") |
| PLTR5-40MM-PRX | 40mm (1.575") |
| PLTR5-48MM-PRX | 48mm (1.890") |
| PLTR5-56MM-PRX | 56mm (2.205") |
| PLTR5-64MM-PRX | 64mm (2.520") |
| PLTR5-72MM-PRX | 72mm (2.835") |

| TABLE B (SEAL) | |
|----------------|------|
| COLOR | CODE |
| BLACK | 1 |
| WHITE | 2 |

| TABLE C (DYE) | |
|---------------|-------|
| COLOR | CODE |
| BLUE | BE |
| BLACK | BK |
| GREEN | GN |
| GRAY | GY |
| RED | RD |
| YELLOW | YW |
| NONE | BLANK |

PART NUMBER CONFIGURATION



| | | | |
|---|--------------|--|--|
| STANDARD TOLERANCE (UNLESS OTHERWISE SPECIFIED) | | 4 THOMAS, IRVINE, CA. 92618 TEL: (949) 951-8808 FAX: (949) 951-3974 | |
| DECIMALS | ANGULAR | | |
| .X ± .1 | X° ± 1° | TITLE: LIGHT PIPE, 5mm, IP67 PART NO: PLTR5-XXX-PRX REVISION: B | |
| .XX ± .01 | | | |
| .XXX ± .005 | | | |
| DESIGNED: TD. NGUYEN | DATE: 4/4/17 | CAGE CODE : 32559 SHEET # 1 OF 1 | |
| CHECKED: J. CHIANG | DATE: 4/4/17 | CAD GENERATED DOCUMENT, DO NOT MEASURE DRAWING | |