

RP357 Series 3-Phase Delta Compact Multi-Stage High Current EMI Power Line Filter

**RP357
3PHASE DELTA
TO 2500A & 600V**

ROHS COMPLIANT



SPECIFICATIONS

Operating Freq.	: 50/60Hz
Max. Operating Voltage	: 600VAC (+10%)
Ambient Temperature	: -25 to 50C
Climatic Category	: 25/100/21
Hipot Rating (L-G)	: 3800VDC
Terminals (-T)	: S: 150/180/250A (M10) B: 320/400A (6x25) 600A (8x25) 800/1000A (8x40) 1600A (10x60) 2500A (15x70)
Safety Approvals	: cURus, EN60939

LEAKAGE CURRENT

Y-cap, nF	mA, 600V/60Hz
0	0
10	0.1
100	1
1000	10
2000	20

PART NUMBER/ ORDERING

RP357	-X (Amps)	-Y (Ycap, nF)	-T	Weight LBS (KG) Typ.
	150	0	S	14.7 (6.7)
	180	10		14.7 (6.7)
	250	100		19.5 (8.8)
	320	1000	B	25.0 (11.3)
	400	2000		25.0 (11.3)
	600			26.0 (11.8)
	800			26.0 (11.8)
	1000			39.0 (17.7)
	1600			39.0 (17.7)
	2500			39.0 (17.7)

**TYPICAL INSERTION LOSS, dB
(50/50ohm)**

FREQ (MHz)	.15	.5	1	10	30
CM (dB)	65	80	80	40	20
DM (dB)	65	65	60	35	20

SCHEMATIC



Note: Use any combination of -Y with any -X (Amps) rating
e.g. RP357-600-100-B (600 Amps with 100nF Ycap)

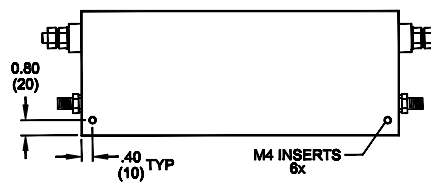
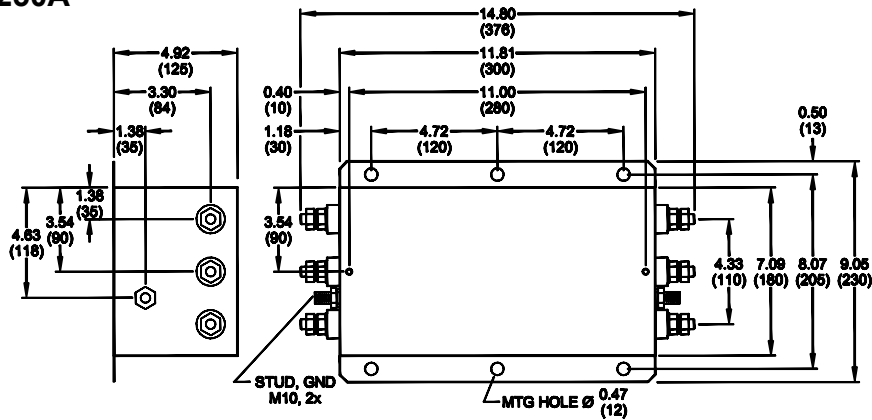
Reference purposes only.
Specifications are subject to change.
Consult factory to verify specifications.

RP357
Mechanical Dimensions

150/180A



250A



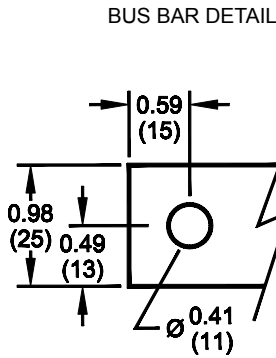
TYPICAL TOLERANCE: +/-0.02 (0.50)

M4 LOCATION TYP. FOR RP357 STUD VERSIONS ONLY

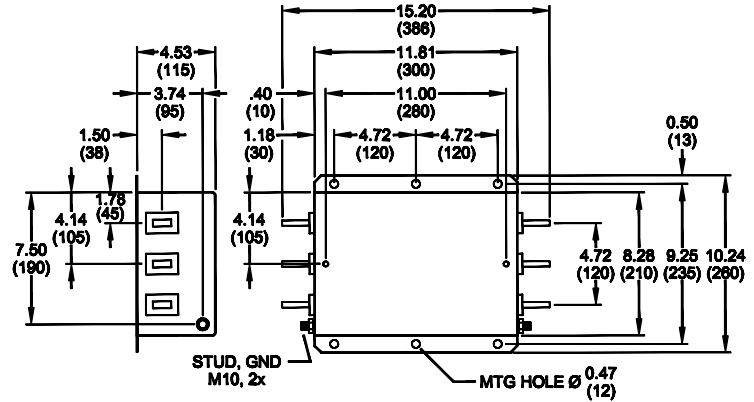
Reference purposes only.
 Specifications are subject to change.
 Consult factory to verify specifications.

RP357
Mechanical Dimensions

320/400A



320/400A BUS BAR: 6x25
600A BUS BAR: 8x25



600A



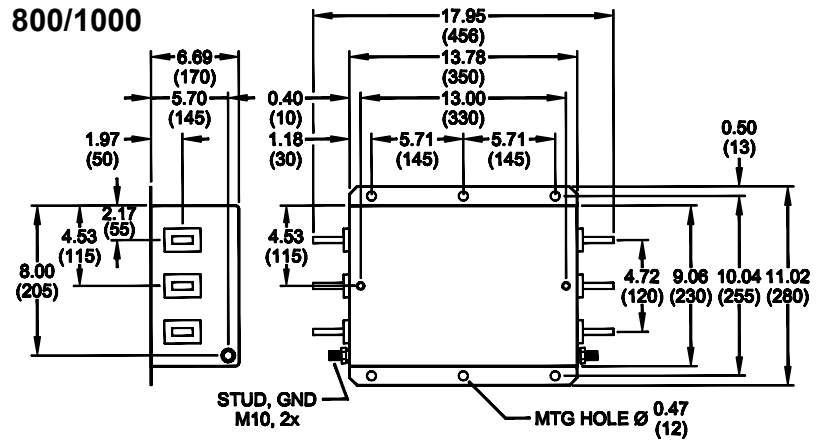
TYPICAL TOLERANCE: +/-0.02 (0.50)

M4 LOCATION TYP. FOR RP357 BUS BAR VERSIONS ONLY

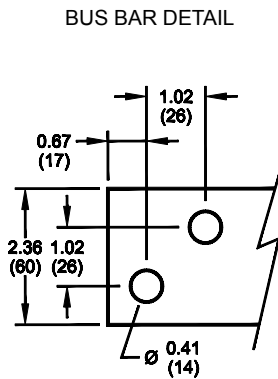
RP357 Mechanical Dimensions



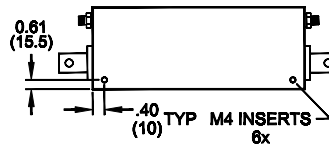
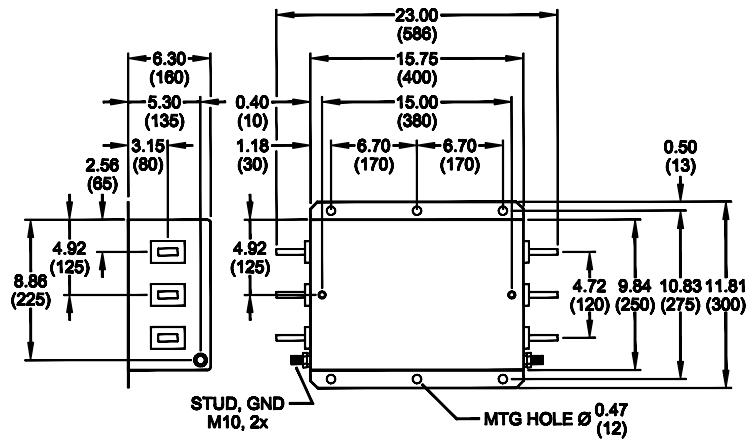
800/1000A BUS BAR: 8x40



1600A



1600A BUS BAR: 10x60



TYPICAL TOLERANCE: ± 0.02 (0.50)

M4 LOCATION TYP. FOR RP357 BUS BAR VERSIONS ONLY

Reference purposes only.
Specifications are subject to change.
Consult factory to verify specifications.

RP357
Mechanical Dimensions

2500A

BUS BAR DETAIL



2500A BUS BAR: 15x70



TYPICAL TOLERANCE: +/-0.02 (0.50)

M4 LOCATION TYP. FOR RP357 BUS BAR VERSIONS ONLY

Reference purposes only.
Specifications are subject to change.
Consult factory to verify specifications.