

RP357 Series 3-Phase Delta Compact Multi-Stage High Current EMI Power Line Filter

**RP357
3PHASE DELTA
TO 2500A & 600V**

ROHS COMPLIANT



SPECIFICATIONS

Operating Freq.	: 50/60Hz
Max. Operating Voltage	: 600VAC (+10%)
Ambient Temperature	: -25 to 50C
Climatic Category	: 25/100/21
Hipot Rating (L-G)	: 3800VDC
Terminals (-T)	: S: 150/180/250A (M10) B: 320/400A (6x25) 600A (8x25) 800/1000A (8x40) 1600A (10x60) 2500A (15x70)
Safety Approvals	: cURus, EN60939

LEAKAGE CURRENT

Y-cap, nF	mA, 600V/60Hz
0	0
10	0.1
100	1
1000	10
2000	20

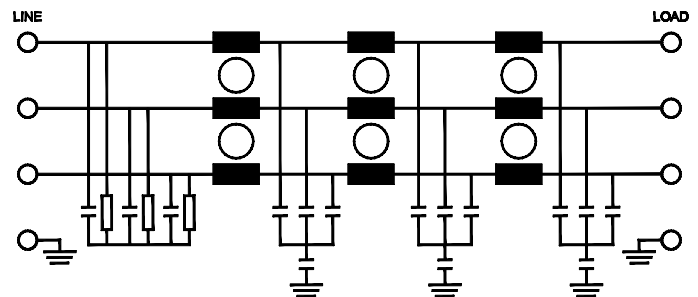
PART NUMBER/ ORDERING

RP357	-X (Amps)	-Y (Ycap, nF)	-T	Weight LBS (KG) Typ.
	150	0	S	14.7 (6.7)
	180	10		14.7 (6.7)
	250	100		19.5 (8.8)
	320	1000	B	25.0 (11.3)
	400	2000		25.0 (11.3)
	600			26.0 (11.8)
	800			26.0 (11.8)
	1000			39.0 (17.7)
	1600			39.0 (17.7)
	2500			39.0 (17.7)

**TYPICAL INSERTION LOSS, dB
(50/50ohm)**

FREQ (MHz)	.15	.5	1	10	30
CM (dB)	65	80	80	40	20
DM (dB)	65	65	60	35	20

SCHEMATIC



Note: Use any combination of -Y with any -X (Amps) rating
e.g. RP357-600-100-B (600 Amps with 100nF Ycap)

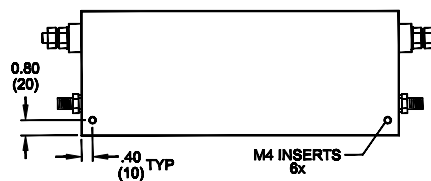
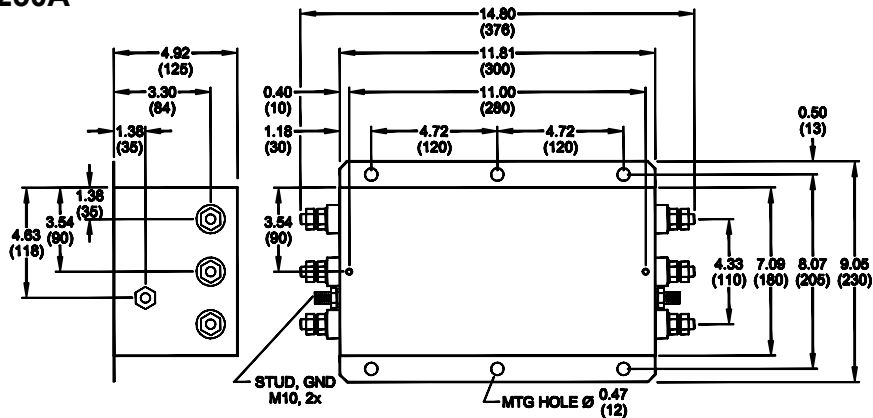
Reference purposes only.
Specifications are subject to change.
Consult factory to verify specifications.

RP357
Mechanical Dimensions

150/180A



250A



TYPICAL TOLERANCE: +/-0.02 (0.50)

M4 LOCATION TYP. FOR RP357 STUD VERSIONS ONLY

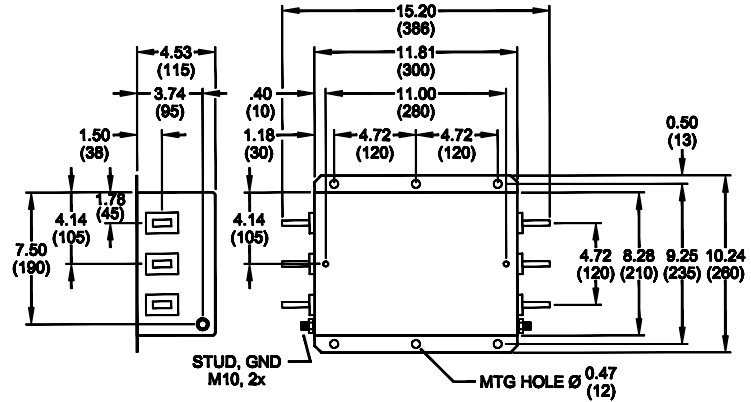
Reference purposes only.
Specifications are subject to change.
Consult factory to verify specifications.

RP357
Mechanical Dimensions

320/400A



320/400A BUS BAR: 6x25
600A BUS BAR: 8x25



600A



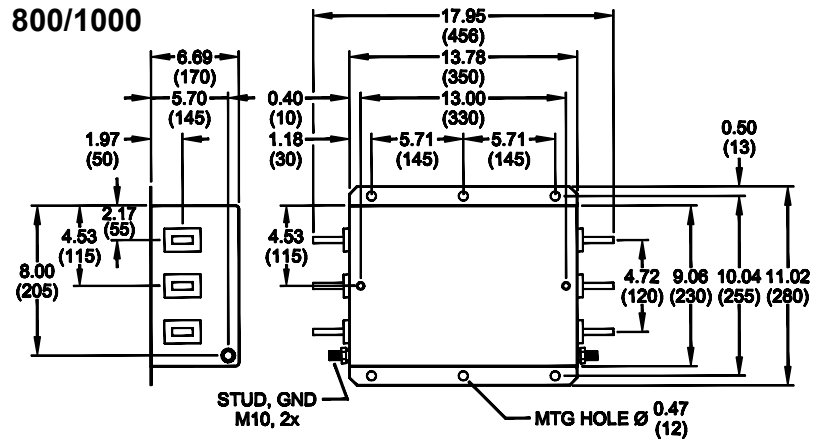
TYPICAL TOLERANCE: +/-0.02 (0.50)

M4 LOCATION TYP. FOR RP357 BUS BAR VERSIONS ONLY

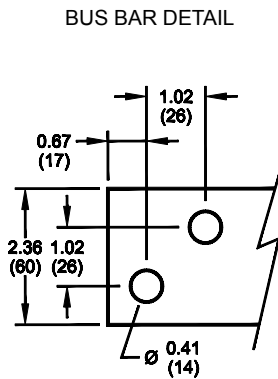
RP357 Mechanical Dimensions



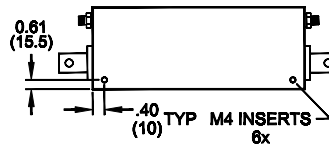
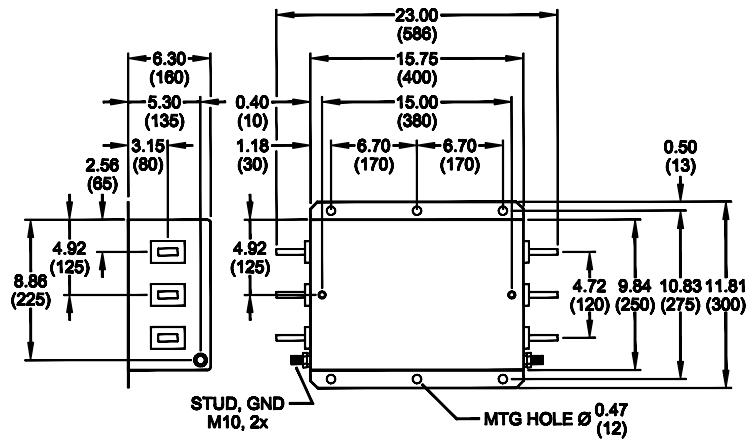
800/1000A BUS BAR: 8x40



1600A



1600A BUS BAR: 10x60



TYPICAL TOLERANCE: +/-0.02 (0.50)

M4 LOCATION TYP. FOR RP357 BUS BAR VERSIONS ONLY

RP357
Mechanical Dimensions

2500A

BUS BAR DETAIL



2500A BUS BAR: 15x70



TYPICAL TOLERANCE: +/-0.02 (0.50)

M4 LOCATION TYP. FOR RP357 BUS BAR VERSIONS ONLY