

RP357 Series 3-Phase Delta Compact Multi-Stage High Current EMI Power Line Filter

**RP357
3PHASE DELTA
TO 2500A & 600V**

ROHS COMPLIANT



SPECIFICATIONS

| | |
|------------------------|--|
| Operating Freq. | : 50/60Hz |
| Max. Operating Voltage | : 600VAC (+10%) |
| Ambient Temperature | : -25 to 50C |
| Climatic Category | : 25/100/21 |
| Hipot Rating (L-G) | : 3800VDC |
| Terminals (-T) | : S: 150/180/250A (M10) B: 320/400A (6x25) 600A (8x25) 800/1000A (8x40) 1600A (10x60) 2500A (15x70) |
| Safety Approvals | : cURus, EN60939 |

LEAKAGE CURRENT

| Y-cap, nF | mA, 600V/60Hz |
|-----------|------------------|
| 0 | 0 |
| 10 | 0.1 |
| 100 | 1 |
| 1000 | 10 |
| 2000 | 20 |

PART NUMBER/ ORDERING

| RP357 | -X (Amps) | -Y (Ycap, nF) | -T | Weight LBS (KG) Typ. |
|-------|--------------|------------------|----|----------------------------|
| | 150 | 0 | S | 14.7 (6.7) |
| | 180 | 10 | | 14.7 (6.7) |
| | 250 | 100 | | 19.5 (8.8) |
| | 320 | 1000 | B | 25.0 (11.3) |
| | 400 | 2000 | | 25.0 (11.3) |
| | 600 | | | 26.0 (11.8) |
| | 800 | | | 26.0 (11.8) |
| | 1000 | | | 39.0 (17.7) |
| | 1600 | | | 39.0 (17.7) |
| | 2500 | | | 39.0 (17.7) |

**TYPICAL INSERTION LOSS, dB
(50/50ohm)**

| FREQ (MHz) | .15 | .5 | 1 | 10 | 30 |
|------------|-----|----|----|----|----|
| CM (dB) | 65 | 80 | 80 | 40 | 20 |
| DM (dB) | 65 | 65 | 60 | 35 | 20 |

SCHEMATIC



Note: Use any combination of -Y with any -X (Amps) rating
e.g. RP357-600-100-B (600 Amps with 100nF Ycap)

Reference purposes only.
Specifications are subject to change.
Consult factory to verify specifications.

www.radiuspower.com

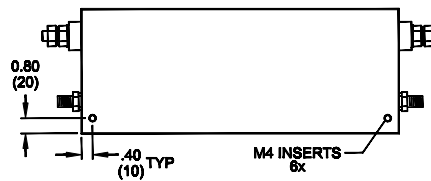
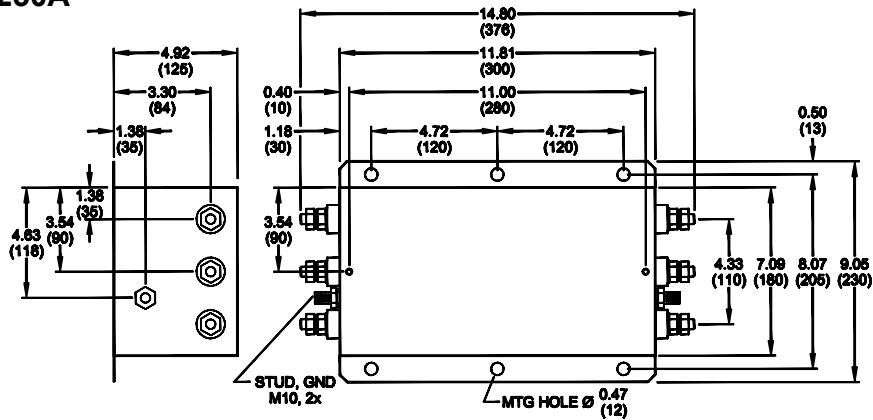
Engineering Assistance: engg@radiuspower.com
Sales: sales@radiuspower.com

RP357 Mechanical Dimensions

150/180A



250A



TYPICAL TOLERANCE: ± 0.02 (0.50)

M4 LOCATION TYP. FOR RP357 STUD VERSIONS ONLY

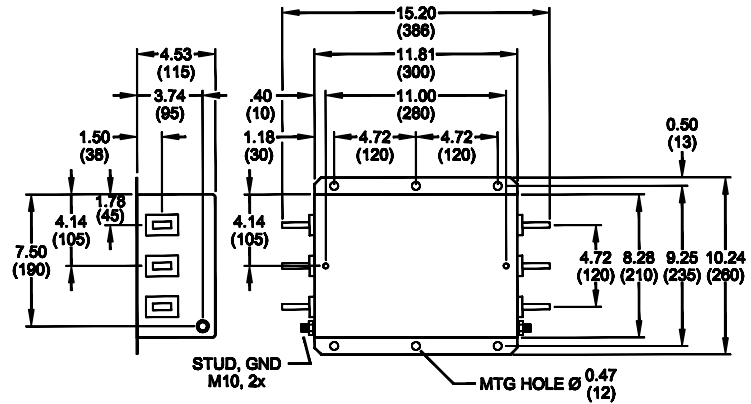
Reference purposes only.
 Specifications are subject to change.
 Consult factory to verify specifications.

RP357
Mechanical Dimensions

320/400A



320/400A BUS BAR: 6x25
600A BUS BAR: 8x25



600A



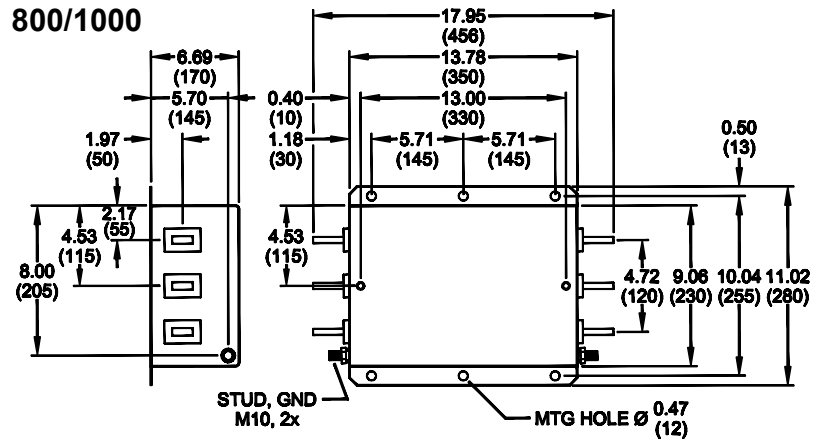
TYPICAL TOLERANCE: +/-0.02 (0.50)

M4 LOCATION TYP. FOR RP357 BUS BAR VERSIONS ONLY

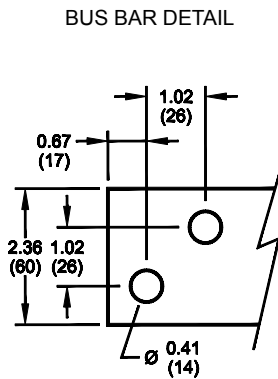
RP357 Mechanical Dimensions



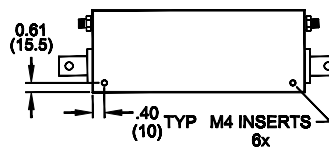
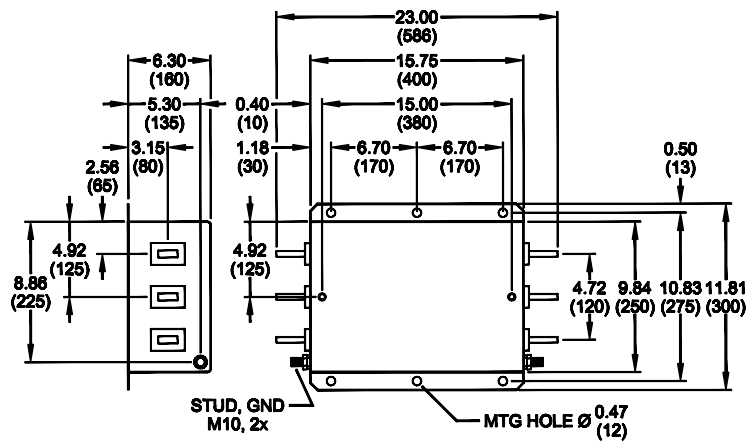
800/1000A BUS BAR: 8x40



1600A



1600A BUS BAR: 10x60



TYPICAL TOLERANCE: +/-0.02 (0.50)

M4 LOCATION TYP. FOR RP357 BUS BAR VERSIONS ONLY

RP357
Mechanical Dimensions

2500A

BUS BAR DETAIL



2500A BUS BAR: 15x70



TYPICAL TOLERANCE: +/-0.02 (0.50)

M4 LOCATION TYP. FOR RP357 BUS BAR VERSIONS ONLY

Reference purposes only.
Specifications are subject to change.
Consult factory to verify specifications.