

**RP357 Series      3-Phase Delta Compact Multi-Stage High Current EMI Power Line Filter**

**RP357  
3PHASE DELTA  
TO 2500A & 600V**

**ROHS COMPLIANT**



**SPECIFICATIONS**

|                        |  |
|------------------------|--|
| Operating Freq.        | : 50/60Hz  |
| Max. Operating Voltage | : 600VAC (+10%)  |
| Ambient Temperature    | : -25 to 50C   |
| Climatic Category      | : 25/100/21  |
| Hipot Rating (L-G)     | : 3800VDC  |
| Terminals (-T)         | : S: 150/180/250A (M10)<br>B: 320/400A (6x25)<br>600A (8x25)<br>800/1000A (8x40)<br>1600A (10x60)<br>2500A (15x70) |
| Safety Approvals       | : cURus, EN60939   |

**LEAKAGE CURRENT**

| Y-cap, nF | mA,<br>600V/60Hz |
|-----------|------------------|
| 0         | 0                |
| 10        | 0.1              |
| 100       | 1                |
| 1000      | 10               |
| 2000      | 20               |

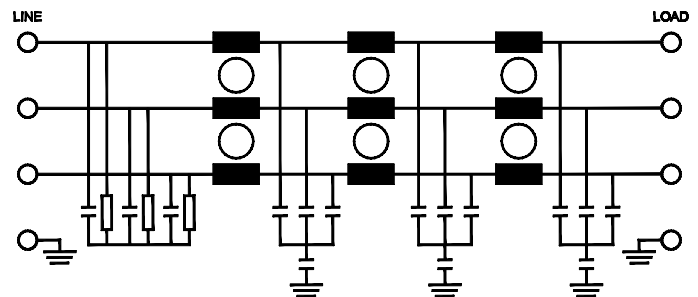
**PART NUMBER/ ORDERING**

| RP357 | -X<br>(Amps) | -Y<br>(Ycap, nF) | -T | Weight<br>LBS (KG)<br>Typ. |
|-------|--------------|------------------|----|----------------------------|
|       | 150          | 0                | S  | 14.7 (6.7)                 |
|       | 180          | 10               |    | 14.7 (6.7)                 |
|       | 250          | 100              |    | 19.5 (8.8)                 |
|       | 320          | 1000             | B  | 25.0 (11.3)                |
|       | 400          | 2000             |    | 25.0 (11.3)                |
|       | 600          |                  |    | 26.0 (11.8)                |
|       | 800          |                  |    | 26.0 (11.8)                |
|       | 1000         |                  |    | 39.0 (17.7)                |
|       | 1600         |                  |    | 39.0 (17.7)                |
|       | 2500         |                  |    | 39.0 (17.7)                |

**TYPICAL INSERTION LOSS, dB  
(50/50ohm)**

| FREQ (MHz) | .15 | .5 | 1  | 10 | 30 |
|------------|-----|----|----|----|----|
| CM (dB)    | 65  | 80 | 80 | 40 | 20 |
| DM (dB)    | 65  | 65 | 60 | 35 | 20 |

**SCHEMATIC**

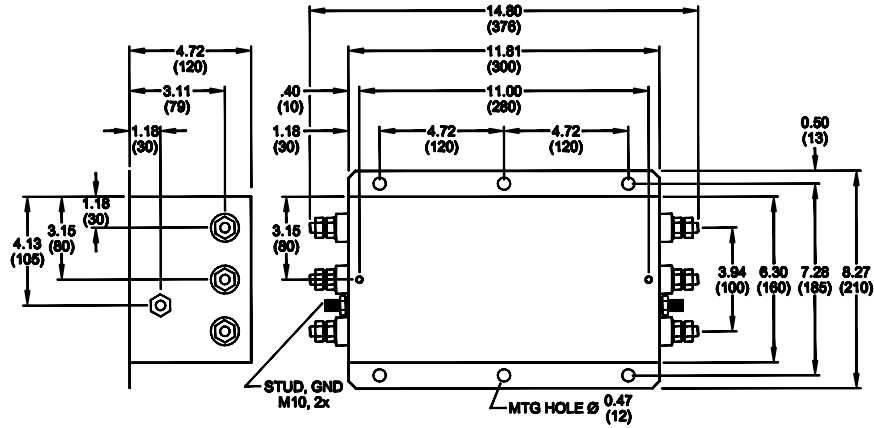


**Note:** Use any combination of -Y with any -X (Amps) rating  
e.g. RP357-600-100-B (600 Amps with 100nF Ycap)

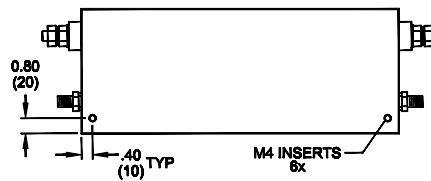
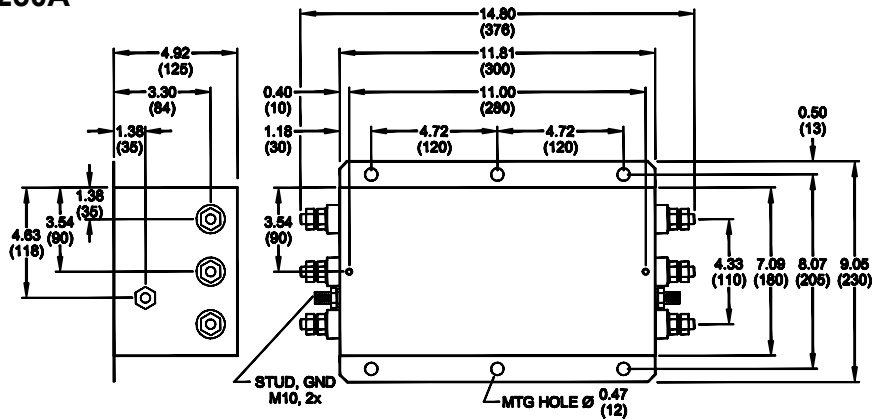
Reference purposes only.  
Specifications are subject to change.  
Consult factory to verify specifications.

**RP357**  
**Mechanical Dimensions**

**150/180A**



**250A**



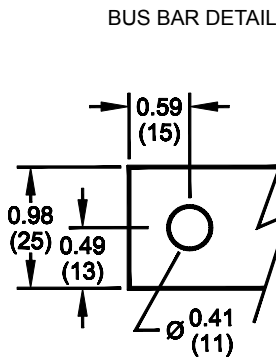
TYPICAL TOLERANCE: +/-0.02 (0.50)

M4 LOCATION TYP. FOR RP357 STUD VERSIONS ONLY

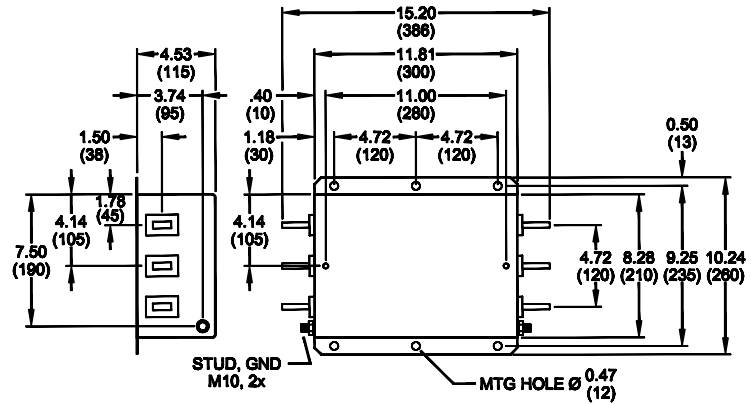
Reference purposes only.  
 Specifications are subject to change.  
 Consult factory to verify specifications.

**RP357**  
**Mechanical Dimensions**

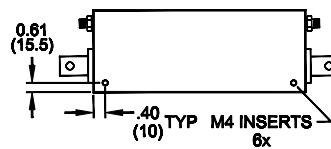
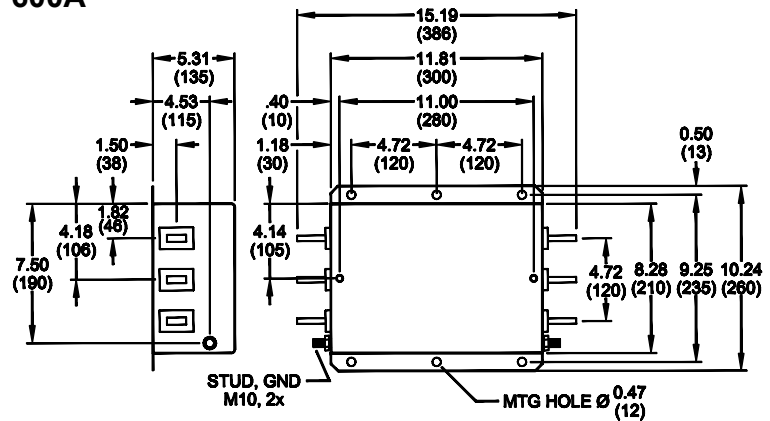
**320/400A**



320/400A BUS BAR: 6x25  
600A BUS BAR: 8x25



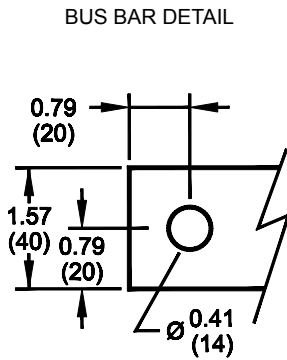
**600A**



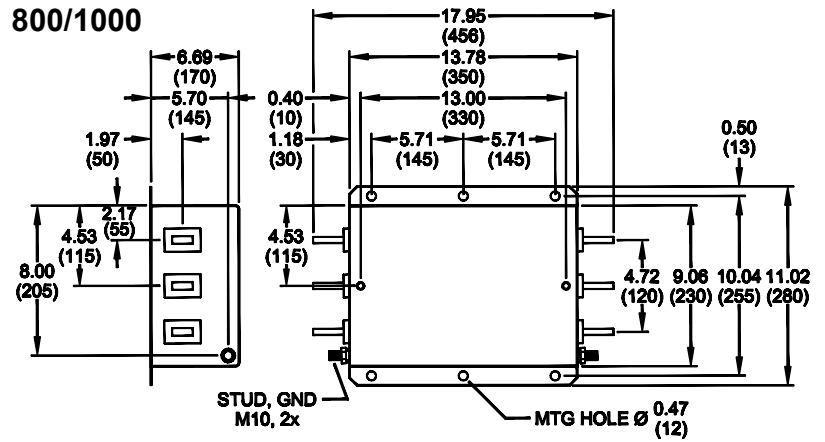
TYPICAL TOLERANCE: +/-0.02 (0.50)

M4 LOCATION TYP. FOR RP357 BUS BAR VERSIONS ONLY

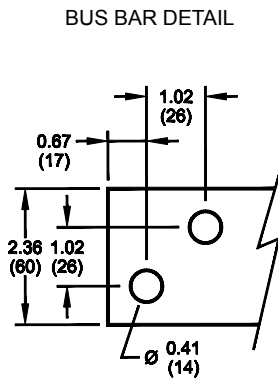
## RP357 Mechanical Dimensions



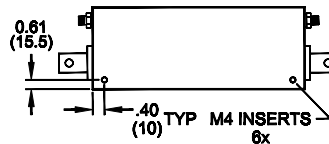
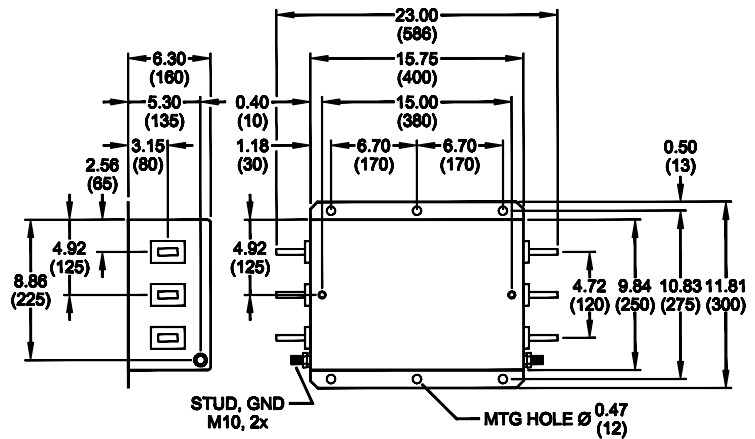
800/1000A BUS BAR: 8x40



### 1600A



1600A BUS BAR: 10x60



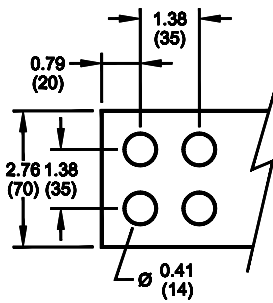
TYPICAL TOLERANCE: +/-0.02 (0.50)

M4 LOCATION TYP. FOR RP357 BUS BAR VERSIONS ONLY

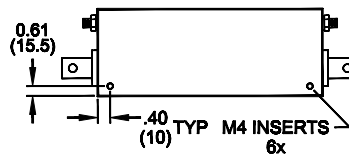
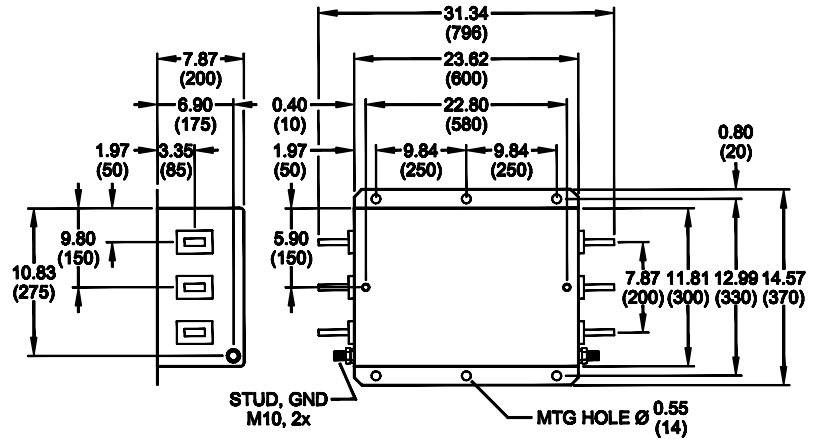
**RP357**  
**Mechanical Dimensions**

**2500A**

BUS BAR DETAIL



2500A BUS BAR: 15x70



TYPICAL TOLERANCE: +/-0.02 (0.50)

M4 LOCATION TYP. FOR RP357 BUS BAR VERSIONS ONLY

Reference purposes only.  
Specifications are subject to change.  
Consult factory to verify specifications.