

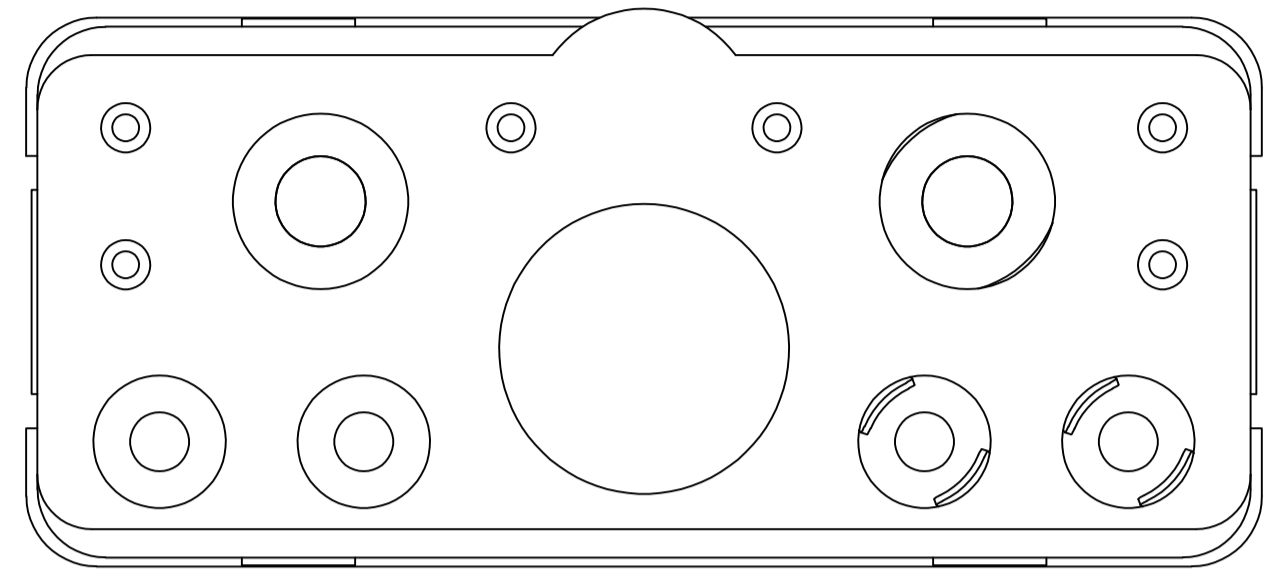
LOC		DIST		REVISIONS			
DF	00	REV	DATE	BY	CHKD	APVD	
0		CONVERTED RADIALL DWG TO TYCO ACAD DWG	11/03				
1		REVISED	22APR10	RF	JM		

1 FRONT & REAR INSULATORS: THERMOSET PER ASTM D5948
 CONTACT RETENTION CLIPS: COPPER ALLOY PER ASTM B 194
 REAR GROMMET: FLUOROSILICONE ELASTOMER PER MIL-R-25988B, EXCEPT 4.6.6.1

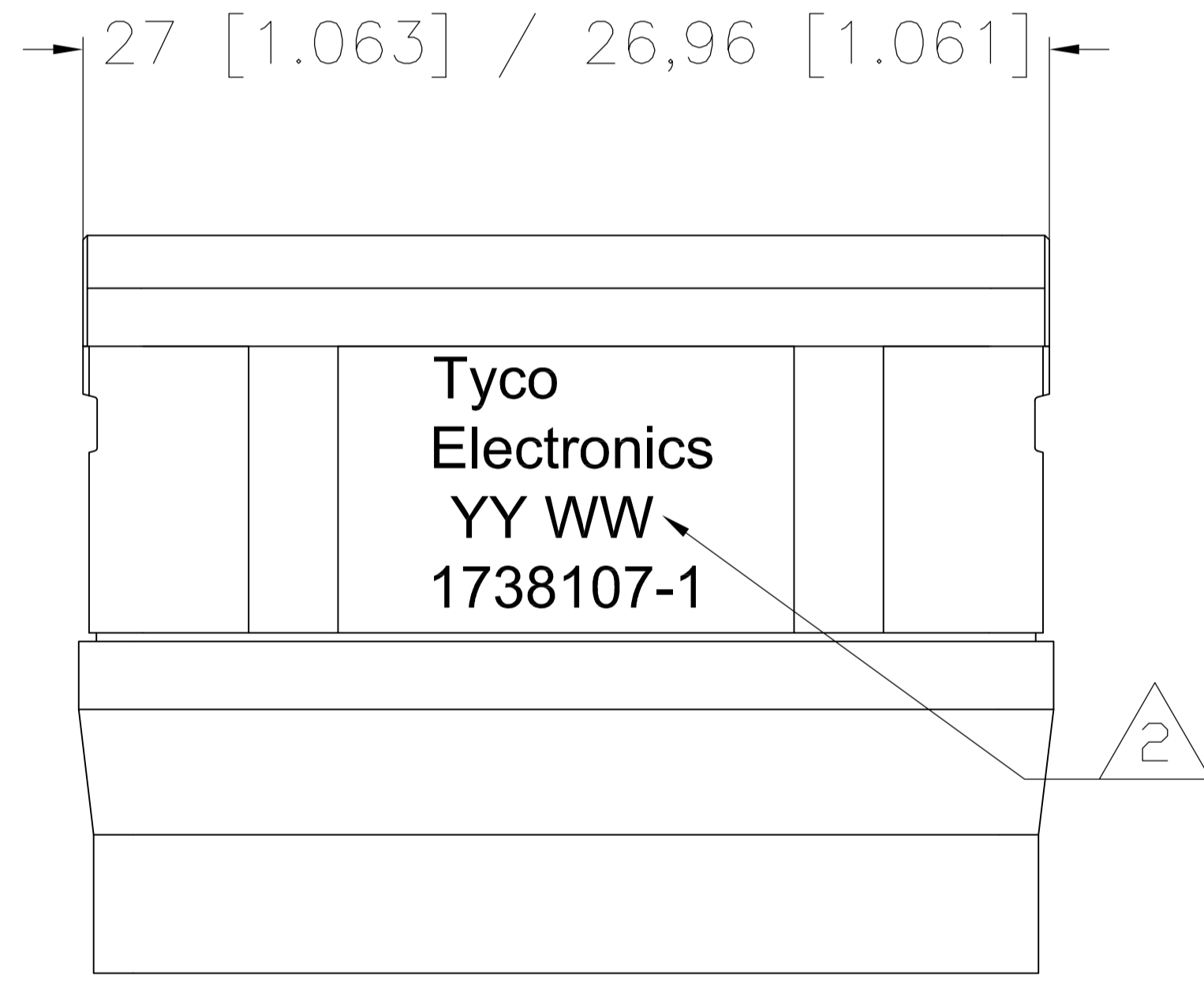
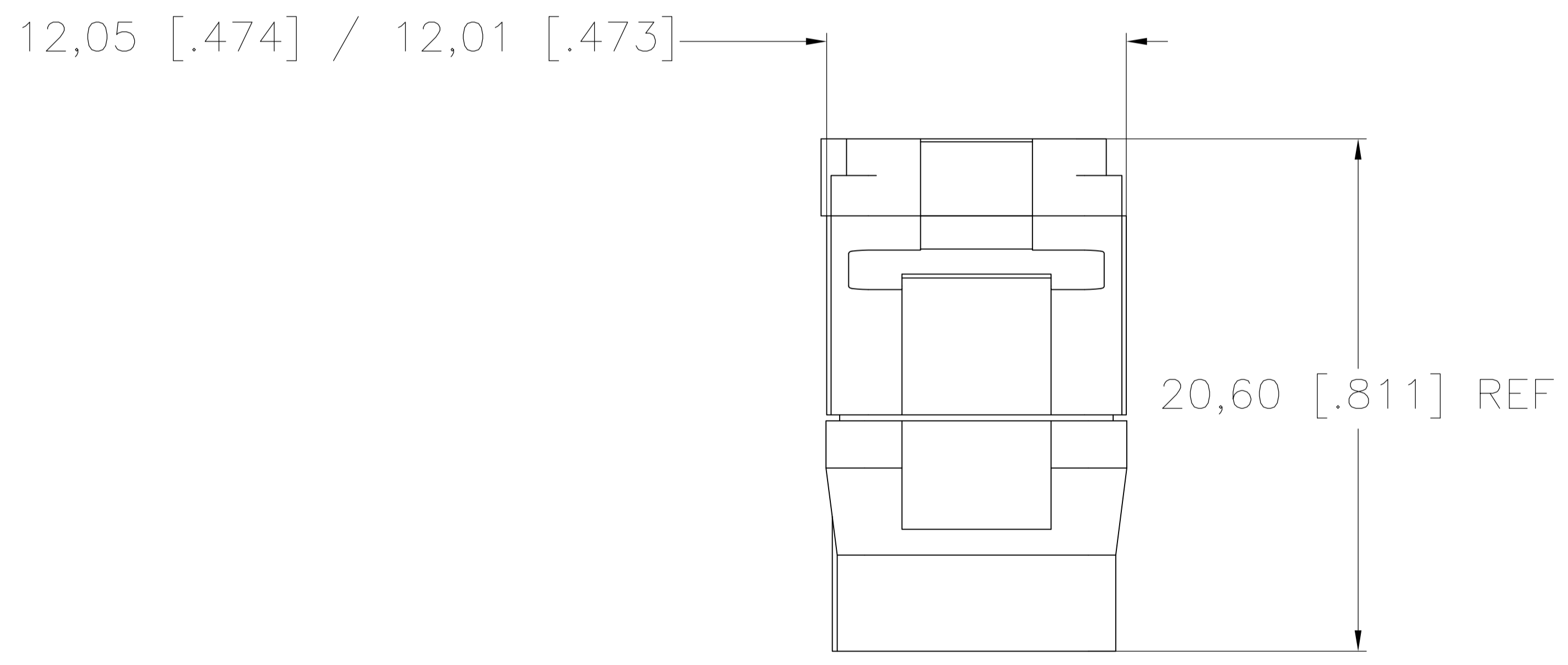
2 DATE CODE: YEAR & WEEK (YY WW)

3. DESCRIPTIVE PART NUMBER: GPRBH13C1PA
 THIS INSERT CONTAINS:
 6 CAVITIES FOR SIZE 20 PIN CONTACTS
 4 CAVITIES FOR SIZE 16 PIN CONTACTS
 6 CAVITIES FOR SIZE 20 PIN CONTACTS
 1 CAVITY FOR SIZE 5 PIN CONTACTS

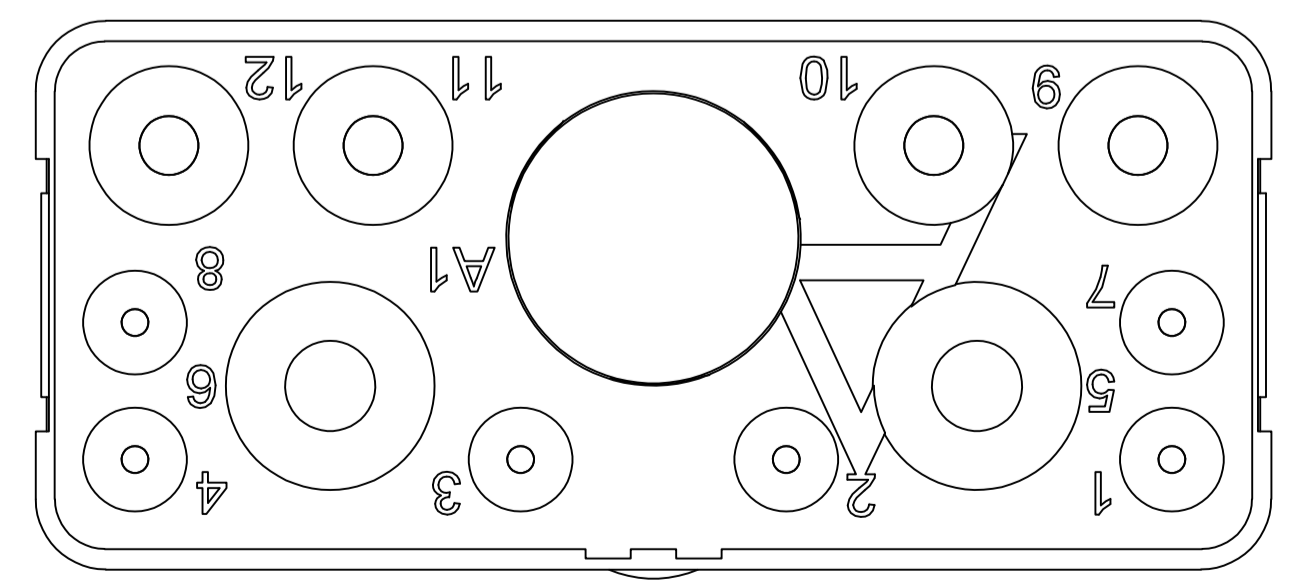
4. THIS PRODUCT IS SOLD BY TYCO ELECTRONICS
 UNDER A LICENSE FROM RADIALL SA.



MATING FACE



THIS PRINT IS
PRELIMINARY
 UNQUALIFIED PRODUCT
 CONTACT PRODUCT ENGINEERING
 BEFORE USING THIS PRINT



1738107-1
 PART NUMBER

THIS DRAWING IS A CONTROLLED DOCUMENT.		REV	NOV03	Tyco Electronics Corporation Harrisburg, PA 17105-3608	
DIMENSIONS: mm [INCHES]		PLC	NOV03	PRELIMINARY	
TOLERANCES UNLESS OTHERWISE SPECIFIED:		1 PLC	NOV03	GPR-B PIN INSERT	
0 PLC ± -		2 PLC ± ± 0.05 [0.002]	NOV03	CLASS H	
1 PLC ± ± -		3 PLC ± ± -	NOV03	CONTACT ARRANGEMENT 13C1 KEY A	
2 PLC ± ± -		4 PLC ± ± -	NOV03	RESTRICTED TO	
3 PLC ± ± -		ANGLES	NOV03	SCALE 2:1 SHEET 1 OF 1 REV 1	
MATERIAL		FINISH	NOV03	CUSTOMER DRAWING	
1			NOV03	SIZE A1 CAGE CODE 00779 DRAWING NO 1738107	