

M23-Splitters/T-Connectors

0906 UTP 203 | 0906 UTP 204

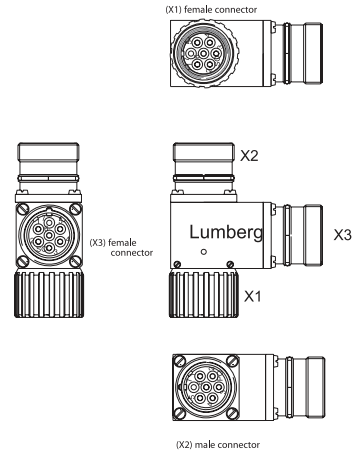


M23 Male to 2xM23 Female

Splitter/T-connector for power supply with M23 male/female connector, 6 poles.

– especially suitable for the e2c 67 system to drag the power supply –

0906 UTP 203

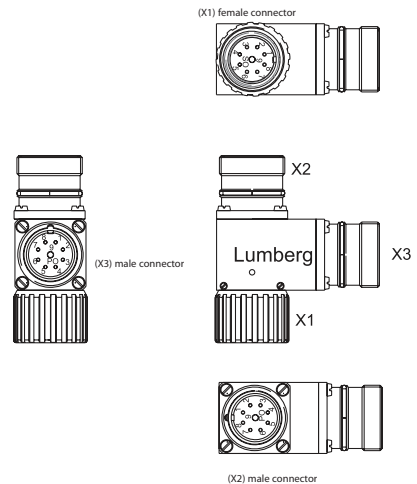


M23 Female to 2xM23 Male

Splitter/T-connector for separate feeding of the power supply at installation remote bus modules with M23 male/female connector, 9 poles.

– especially suitable for Interbus installation remote bus modules–

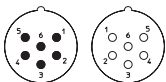
0906 UTP 204



Pin Assignments

Face Views

M23 - 6 poles

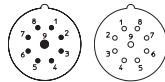


- 1 = earth
- 2 = + 24 V¹
- 3 = GND (0 V)¹
- 4 = + 24 V²
- 5 = GND (0 V)²
- 6 = n.c.
- housing = n.c.

¹ = Profibus: actuator 1
Interbus: actuator

² = Profibus: actuator 2
Interbus: system

M23 - 9 poles



- 1 = DQ
- 2 = DO
- 3 = DI
- 4 = DI
- 5 = COM
- 6 = earth
- 7 = + 24 V
- 8 = GND (0 V)
- 9 = n.c.
- housing = n.c.



Be Certain with Belden

M23-Splitters/T-Connectors

0906 UTP 203 | 0906 UTP 204

Technical Data

Environmental

Degree of protection IP 67 / NEMA 6P
 Operating temperature range -40°C (-40°F) / +125°C (+257°F)






Mechanical

Housing Copper-Zinc alloy (CuZn),
 die casting part of Zinc (GD-Zn)
 Housing surface nickel-plated

Electrical

Nominal current UTP 203: 20 A
 UTP 204: 8 x 8 A / 1 x 20 A
 Nominal voltage 50 V DC
 Pollution degree 3

Splitters and Adapters

| Part Number | Pins | Characteristics |
|--------------|------|---|
| 0906 UTP 203 | 6 |   |
| 0906 UTP 204 | 9 |    |