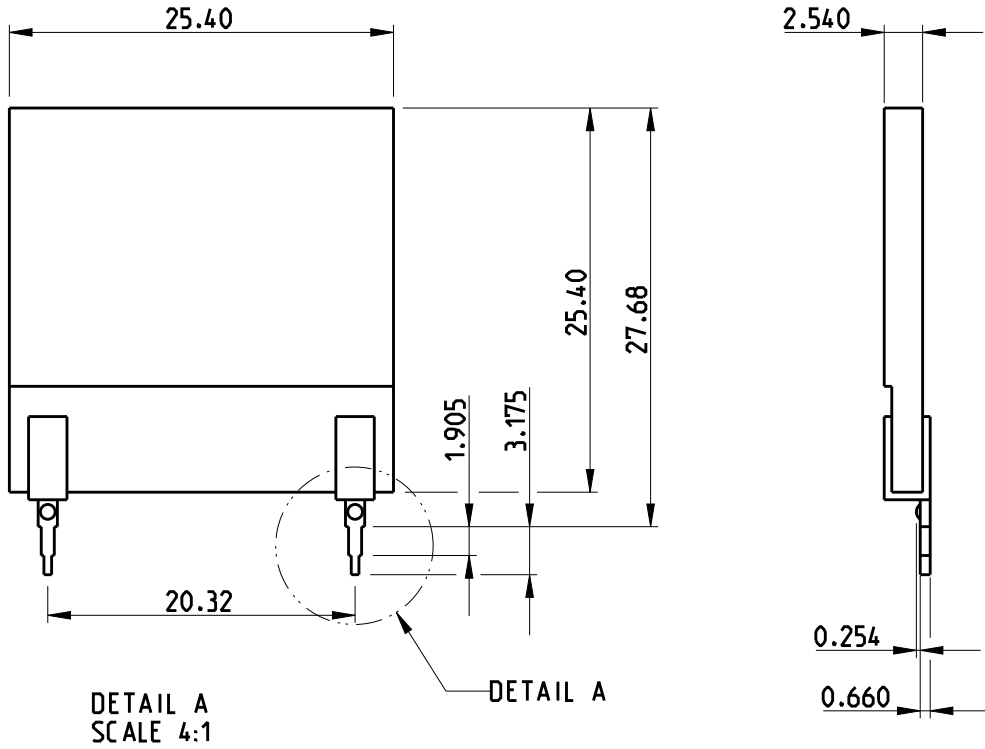
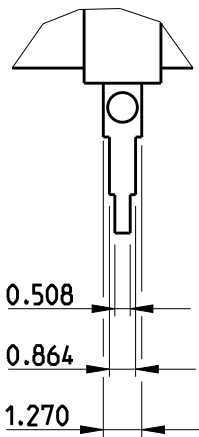


LOC	DIST	REVISIONS					
E	B	P	LTR	DESCRIPTION	DATE	DWN	APVD
			BA	NEW RELEASE	02AUG2012	KR	TN

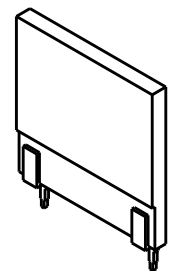
FOR FURTHER INFORMATION SEE DATA SHEET FOR SERIES MPC - HIGH POWER RESISTORS



DETAIL A  
SCALE 4:1



RoHS Compliant



SCALE 1:1

2008


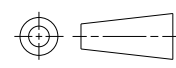
RELEASED FOR PUBLICATION

ALL RIGHTS RESERVED.

THIS DRAWING IS UNPUBLISHED.

BY -

© COPYRIGHT 2008

DIMENSIONS: mm		DWN RAGHAVENDRA K 02AUG2012	MATERIAL -	FINISH -
TOLERANCES UNLESS OTHERWISE SPECIFIED:		CHK ALLAN P 02AUG2012	 <b>TE Connectivity</b>	
0 PLC ±0.2		APVD TONY N 02AUG2012		
1 PLC ±0.1		PRODUCT SPEC -	NAME HIGH POWER RESISTORS	
2 PLC ±		APPLICATION SPEC -	SERIES MPC 10	
3 PLC ±		WEIGHT -	SIZE A 4	CAGE CODE 00779
4 PLC ±			DRAWING NO C-1623775	RESTRICTED TO -
ANGLES ±5°			SCALE 2:1	
		CUSTOMER DRAWING		SHEET 1 OF 1
				REV BA