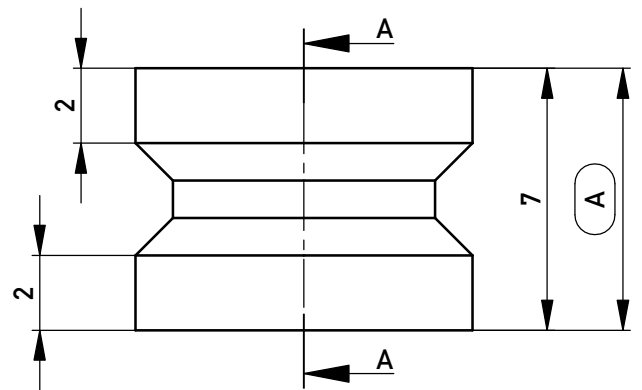
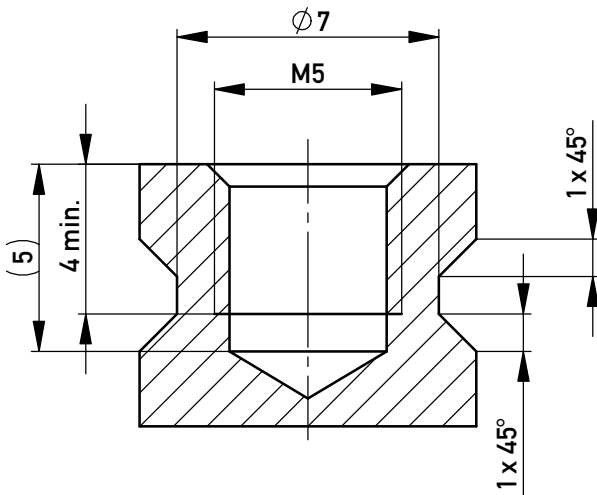
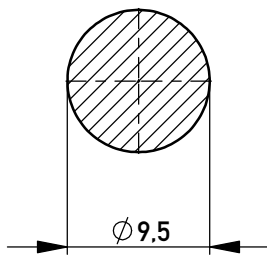


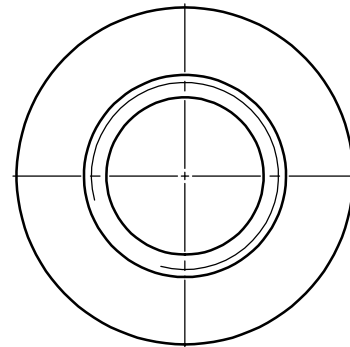
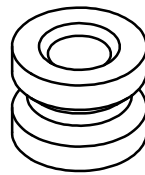
Schnitt A-A /  
cross section A-A



Layout - Vorschlag  
PCB - Layout proposal  
M 2:1  
scale 2:1



M 2:1 / scale 2:1



5-10µm Sn matt über 1-3µm Ni /  
5-10µm sn matt over 1-3µm ni

Oberfläche (A) / plating (A)

Copyright by ERNI Production GmbH & Co. KG  
Proprietary notice pursuant to ISO 16016 to be observed.

Information:		Tolerances	<p>All Dimensions in mm</p>	Scale: 5:1	
<p>All rights reserved. Only for Information. To ensure that this is the latest version of this drawing, please contact one of the ERNI companies before using.</p>		<p>Subject to modification without prior notice. Drawing will not be updated.</p>		Material: CuZn39Pb3	Designation
<p>b</p>		www.ERNI.com		<p><b>225858</b></p>	
<p>Index</p>		<p>Date</p>			
				Class	POWELM

# Mouser Electronics

Authorized Distributor

Click to View Pricing, Inventory, Delivery & Lifecycle Information:

[ERNI Electronics:](#)

[225858](#)