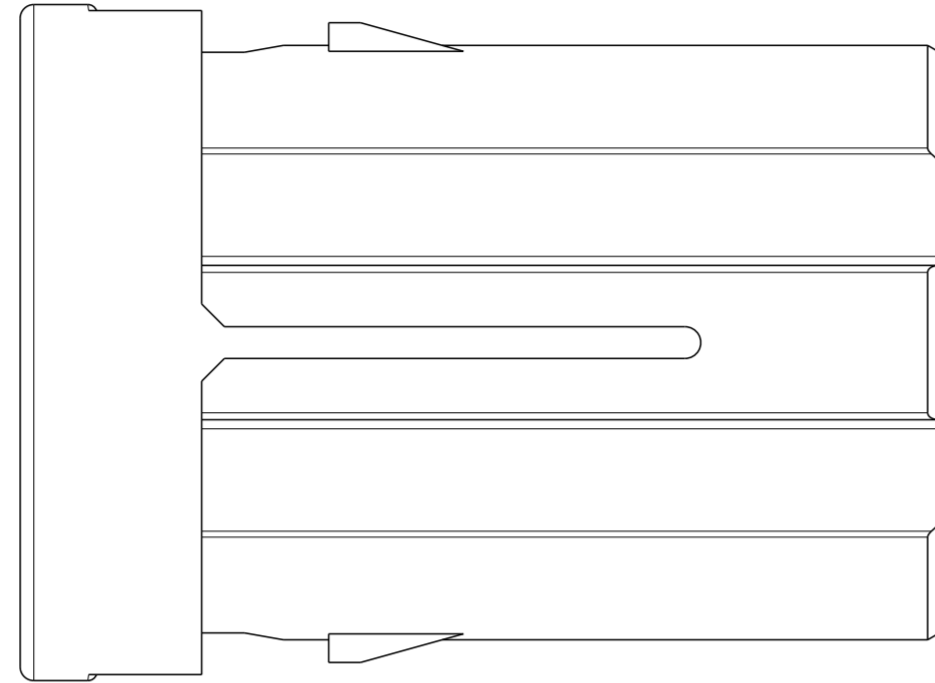


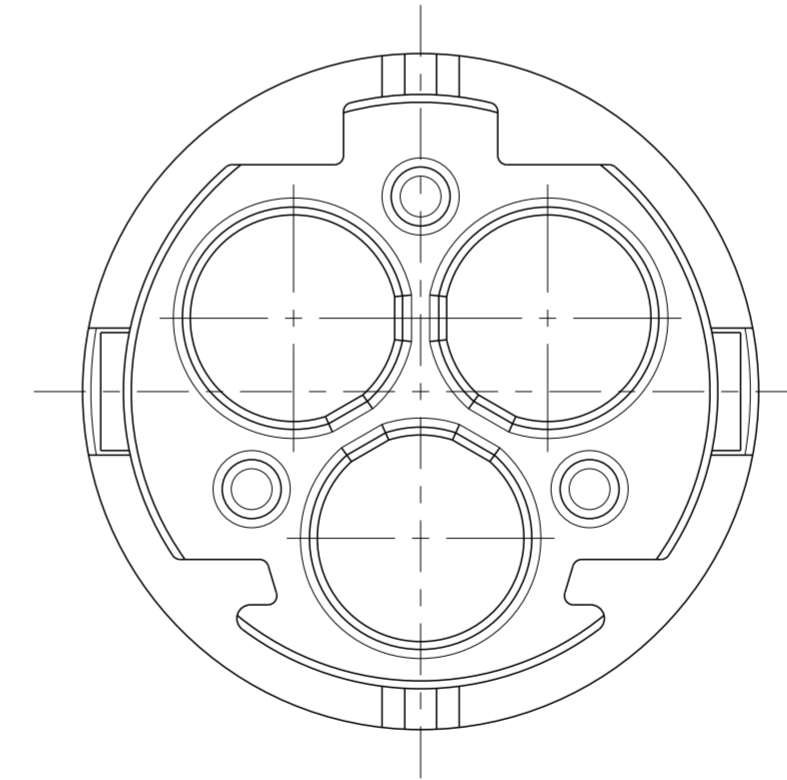
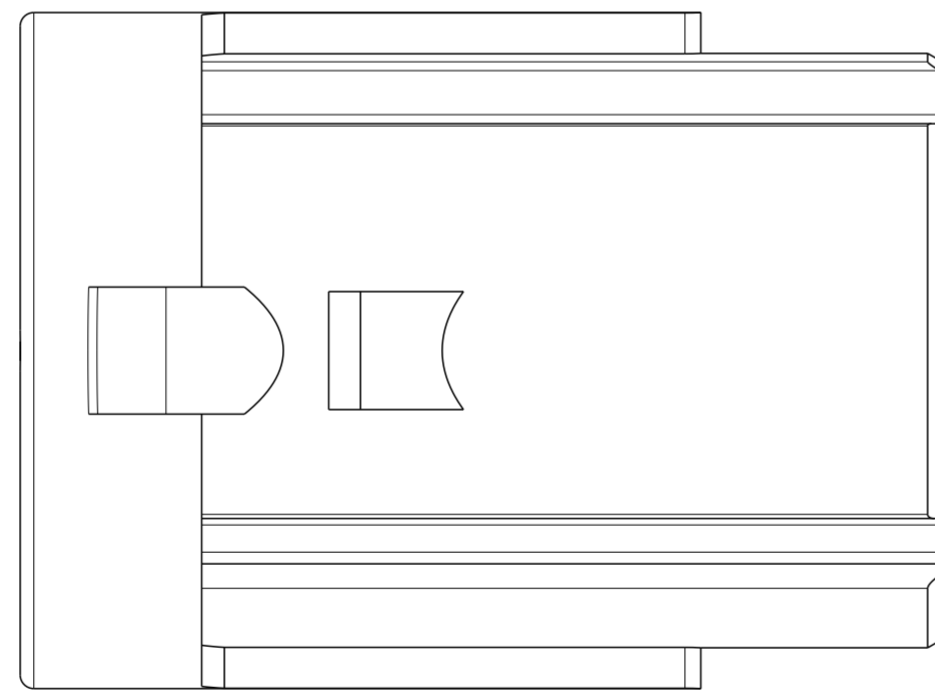
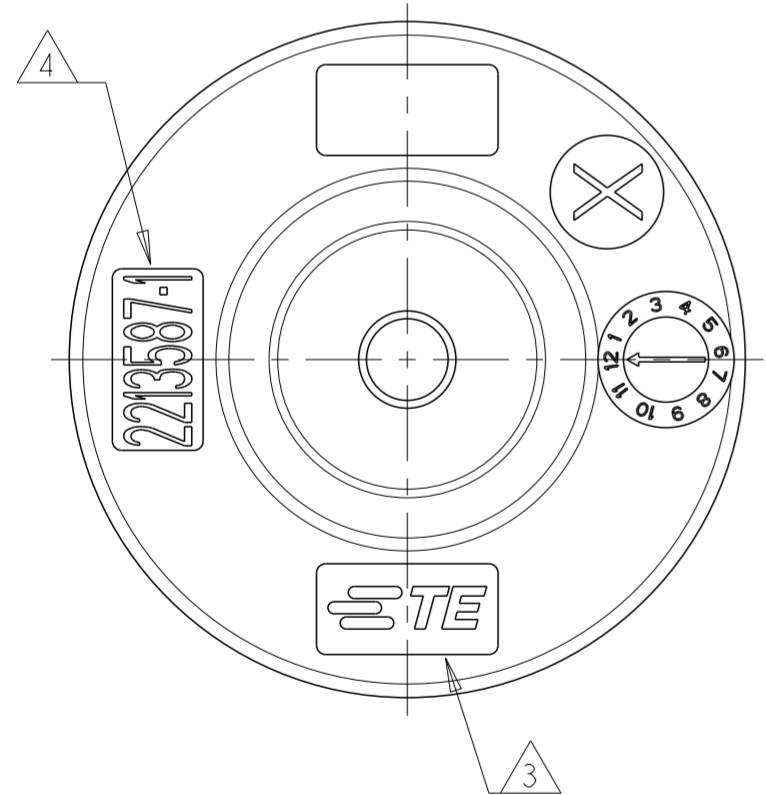
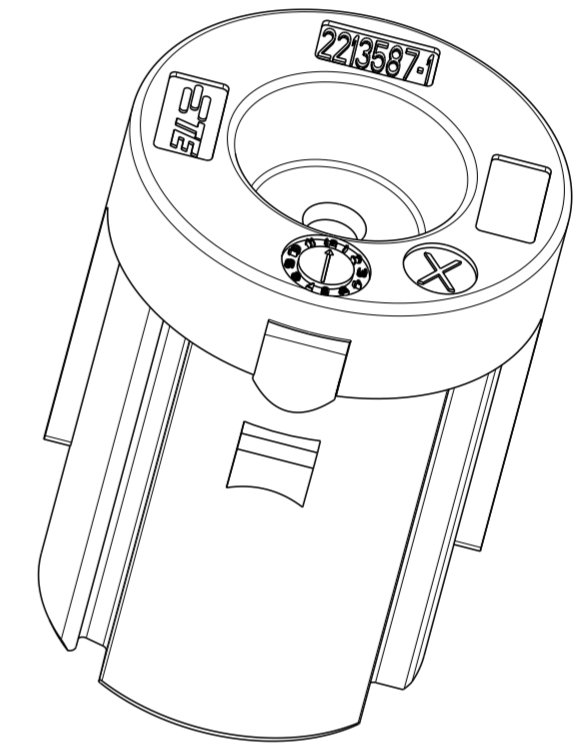
THIS DRAWING IS UNPUBLISHED. RELEASED FOR PUBLICATION 20
 © COPYRIGHT 20 BY - ALL RIGHTS RESERVED.

REVISIONS				
P	LTR	DESCRIPTION	DATE	APVD
1		NEW DRAWING	07JAN2015	JS ML
A		ECR-15-003851	10MAR2015	KR JL



NOTES:

- 1 MATERIAL: GLASS FILLED PBT
COLOR: BLACK
- 2. MUST COMPLY WITH DIRECTIVE 2002/95/EC (ROHS)
- 3 TE LOGO
- 4 TE PART NUMBER



2213587-1
PART NO.

THIS DRAWING IS A CONTROLLED DOCUMENT.		DWN J. SHAFFER 07JAN2015	TE Connectivity	
DIMENSIONS: mm		CHK M. LUKSIC 07JAN2015		
TOLERANCES UNLESS OTHERWISE SPECIFIED:		APVD M. LUKSIC 07JAN2015	NAME SOCKET CAP, SEALED NECTOR M-LINE, 3 POSN	
0 PLC ±-		PRODUCT SPEC	SIZE A2	
1 PLC ±0.5		APPLICATION SPEC	CAGE CODE -	
2 PLC ±0.13		WEIGHT	DRAWING NO G-2213587	
3 PLC ±0.013		RESTRICTED TO	SCALE 4:1	
4 PLC ±0.0001		Customer Drawing	SHEET 1 OF 1	
ANGLES ±-			REV A	
FINISH				
MATERIAL				
1				