

**PLEASE CHECK WWW.MOLEX.COM FOR LATEST PART INFORMATION**

**Part Number:** [0912360002](#)  
**Status:** **Active**  
**Description:** 2.54mm (.100") Pitch SIM Card Holder, With Slanted Face, 6 Circuits, With Ejector, Use With 91228

**Documents:**

[3D Model](#) [Product Specification PS-99020-0071 \(PDF\)](#)  
[Drawing \(PDF\)](#) [RoHS Certificate of Compliance \(PDF\)](#)

**Agency Certification**

UL E29179

**General**

Product Family	Memory Card Sockets
Series	<a href="#">91236</a>
Button Type	Push-Push
Comments	Angled Face
Component Type	Card Holder (Host)
Product Name	ChipSIM, SIM
Type	N/A

**Physical**

Card Detection Switch	N/A
Circuits (Loaded)	6
Color - Resin	Black
Durability (mating cycles max)	5,000
Ejector Button Side	Left
Entry Angle	Vertical (Top Entry)
Flammability	94V-0
Keying to Mating Part	Yes
Material - Metal	Phosphor Bronze
Material - Plating Mating	Gold
Material - Plating Termination	Nickel
Material - Resin	Polyester
PCB Mounting Side	N/A
PCB Retention	None
Packaging Type	Bag
Pitch - Mating Interface (in)	0.100 In
Pitch - Mating Interface (mm)	2.54 mm
Plating min: Mating (µin)	4
Plating min: Mating (µm)	0.1
Plating min: Termination (µin)	50.8
Plating min: Termination (µm)	1.27
Ports	1
Temperature Range - Operating	-25°C to +85°C
Termination Interface: Style	Surface Mount

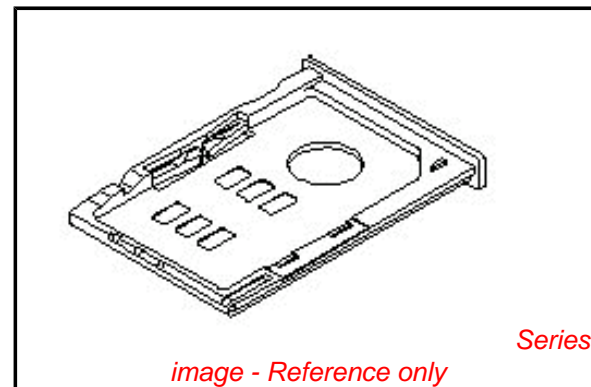
**Electrical**

Current - Maximum per Contact	1A
Shielded	No
Voltage - Maximum	50V

**Material Info**

**Reference - Drawing Numbers**

Product Specification	PS-99020-0071
Sales Drawing	SDA-91236



**EU RoHS**

**ELV and RoHS  
Compliant**  
**REACH SVHC  
Contains SVHC: No**  
**Halogen-Free  
Status**

**China RoHS**



**Need more information on product  
environmental compliance?**

Email [productcompliance@molex.com](mailto:productcompliance@molex.com)  
 For a multiple part number RoHS Certificate of Compliance, [click here](#)

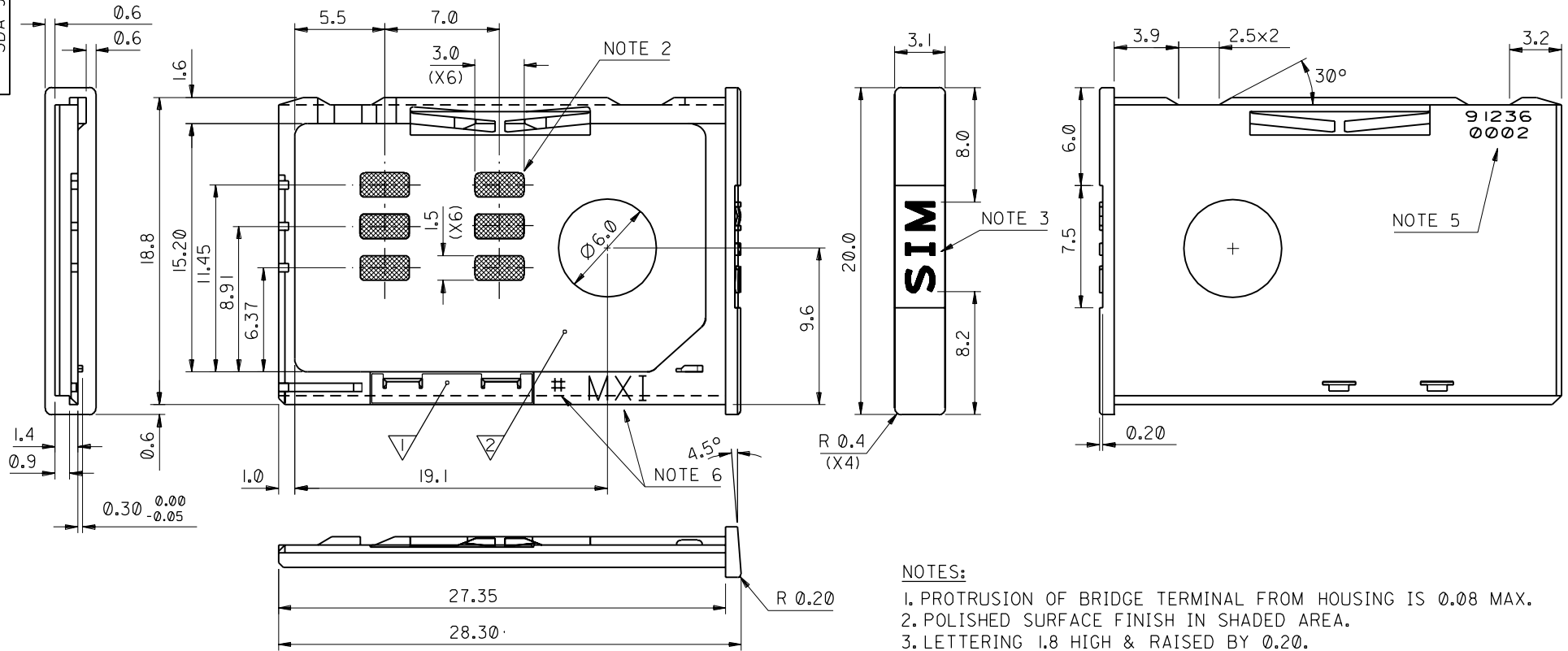
Please visit the [Contact Us](#) section for any non-product compliance questions.

**Search Parts in this Series**  
[91236Series](#)

This document was generated on 04/13/2010

**PLEASE CHECK [WWW.MOLEX.COM](http://WWW.MOLEX.COM) FOR LATEST PART INFORMATION**

PART NO. 91236-0002  
 DWG. NO. SDA-91236



- NOTES:**
1. PROTRUSION OF BRIDGE TERMINAL FROM HOUSING IS 0.08 MAX.
  2. POLISHED SURFACE FINISH IN SHADED AREA.
  3. LETTERING 1.8 HIGH & RAISED BY 0.20.
  4. SEE PRODUCT SPECIFICATION PS-99020-0071.
  5. PART I.D. TO BE 0.8 HIGH & RELIEVED 0.1 BELOW SURFACE.
  6. MOLEX LOGO 'MXI' & CAVITY NUMBER '#' TO BE 1.0 HIGH & RAISED 0.1max ABOVE SURFACE

ITEM	COMPONENT	QTY	MATERIAL
1	TERMINAL	1	0.15 PHOSPHOR BRONZE 0.1um MIN Au OVER Pd/Ni IN CONTACT AREA
2	HOUSING	1	GF PBT, BLACK

FOR PREVIOUS  
 DRAWING ISSUES  
 SEE MRI.

SEE SHEET 1.  
 EC NO.  
 DRAWN: FDUCCAN 01/12/10  
 CHK:  
 APPR:

REV	DESCRIPTION
G	

QUALITY SYMBOLS	GENERAL TOLERANCES: (UNLESS SPECIFIED)
MAJOR =	mm INCH
CRITICAL =	4 PLACES ±0. mm ±. INCH
	3 PLACES ±0. mm ±. INCH
	2 PLACES ±0.05 mm ±. INCH
	1 PLACE ±0.10 mm ±. INCH
	ANGULAR: ± °

SCALE	DESIGN UNITS
4:1	<input checked="" type="checkbox"/> mm <input type="checkbox"/> INCH
DRAWN BY & DATE FINDORAK 00/08/28	
CHECKED BY & DATE D.HANNON 00/08/28	
APPROVED BY & DATE M.WILHITE 00/08/28	
CAD FILENAME S91236X2.DGN	

DIMENSIONS:		SHT	REV
<input type="checkbox"/> mm	<input type="checkbox"/> INCH		
<input type="checkbox"/> INCH	<input type="checkbox"/> mm		
<input checked="" type="checkbox"/> mm	<input checked="" type="checkbox"/> ONLY		
THIRD ANGLE PROJECTION			
TITLE: CARD HOLDER			
MATERIAL NO. 91236-0002		DRAWING NO. SDA-91236	SHEET NO. 2 OF
DRAFT WHERE APPLICABLE MUST REMAIN WITHIN DIMENSIONS		THIS DRAWING CONTAINS INFORMATION THAT IS PROPRIETARY TO MOLEX INCORPORATED AND SHOULD NOT BE USED WITHOUT WRITTEN PERMISSION.	
		SIZE B	