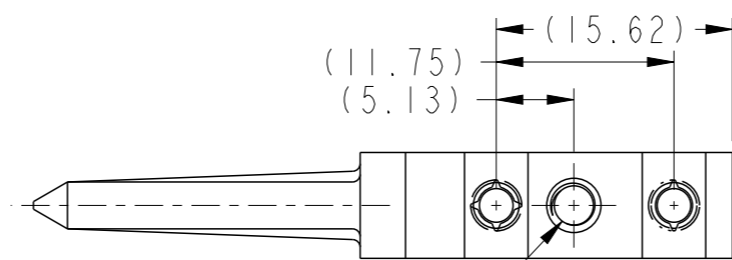
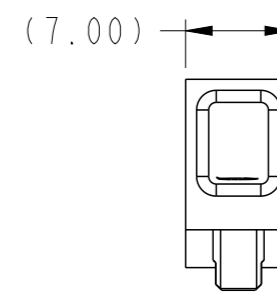
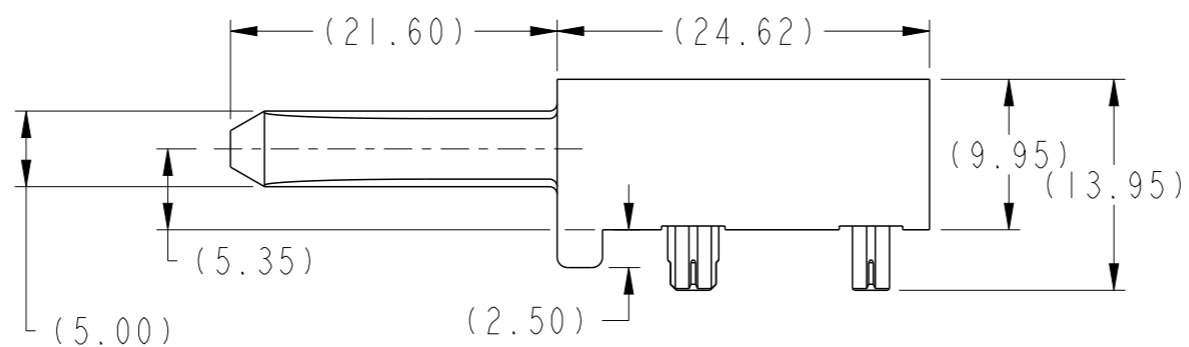
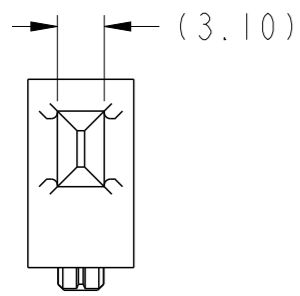


PRODUCT NUMBER
SEE TABLE, SHEET 2



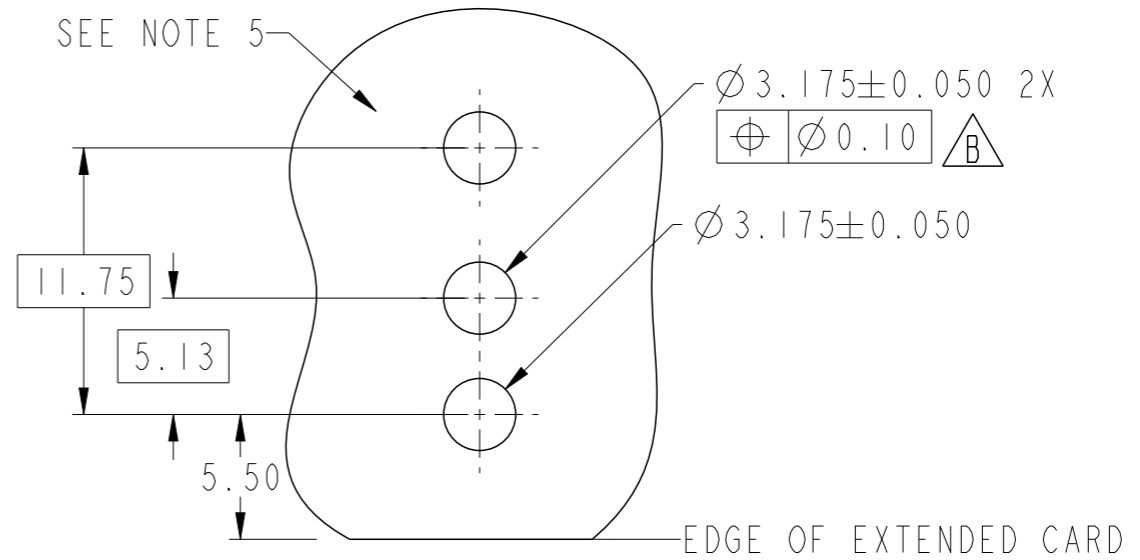
M3 X 0.5-6H
X 3.0 DEEP

| | | | | | | | | | | |
|---------------------------------------|---------|--------|---------------|-------------|------------------------|----------|--------------------|-----------------------|----------------|----------|
| spec ref | | dr | Chen-Hong Tan | 2009/06/05 | projection | MM | size | A3 | scale | 2:1 |
| tolerance std | | eng | Yong-Keat Lim | 2012/05/14 | | | ecn no | | ELX-S-011610-1 | |
| ASME Y14.5 | | chr | - | - | | | rel level | | Released | |
| TOLERANCES UNLESS OTHERWISE SPECIFIED | | appr | Chen-Hong Tan | 2012/05/15 | product family | | AirMax Accessories | | | |
| surface | 3.2 | linear | 0.X | ±0.3 | | part no | | 7.2mm R/A GUIDE BLADE | | rev B |
| | | | 0.XX | ±0.10 | | dwg no | | 10101902 | | |
| | | | 0.XXX | ±0.050 | | cat. no. | | - | | |
| ASME Y14.5 | angular | 0° | ±° | www.fci.com | Product - Customer Drw | | sheet 1 of 2 | | | |



Copyright FCI.

PRODUCT NUMBER
10101902-101LF



NOTES:

- ① MATERIAL: ZINC ALLOY
- ② FINISH: TRIVALENT CHROMATE IRIDESCENT.
3. APPLICATION SPECIFICATION: GS-20-045
- ④ REFER TO CUSTOMER DRAWING 10035911 FOR INFORMATION REGARDING PCB LAYOUT OF POWER AND GUIDE MODULES RELATIVE TO SIGNAL MODULES.
- ⑤ RIGHT ANGLE PIN MODULE HAS THE SAME PCB FOOTPRINT AS RIGHT ANGLE RECEPTACLE MODULE. (REF P/N 10045367 SHEET 2)
6. THIS PRODUCT MEETS EUROPEAN DIRECTIVES AND OTHER COUNTRY REGULATIONS AS DESCRIBED IN GS-22-008.
7. PACKAGING MEETS GS-14-920 LEAD FREE LABELLING SPECIFICATION.
8. A $\triangle B$ SYMBOL WILL BE NEXT TO ANY DIMENSION, VIEW, OR NOTE WHICH HAS BEEN MODIFIED WITH THE CURRENT DRAWING REVISION.

| | | | | | | | | | | |
|-----------------------------|-----|---------------------------------------|---------------|------------|-------------|-------------------------------------|------------|--------------------------|----------|--------------|
| spec ref | | dr | Chen-Hong Tan | 2009/06/05 | projection | MM | size | A3 | scale | 2:1 |
| tolerance std ASME Y14.5 | | TOLERANCES UNLESS OTHERWISE SPECIFIED | | | eng | Yong-Keat Lim | 2012/05/14 | ecn no ELX-S-011610-1 | | |
| | | chr | - | | | product family | | AirMax Accessories | | |
| | | appr | Chen-Hong Tan | 2012/05/15 | rel level | | Released | | | |
| surface | 3.2 | linear | 0.X | ±0.3 | | 7.2mm R/A GUIDE BLADE | | dwg no 10101902 | rev B | |
| | | | 0.XX | ±0.10 | | 4 PR, INVERSE COPLANAR, LOW PROFILE | | | | |
| | | | 0.XXX | ±0.050 | | | | | | |
| ASME Y14.5 | | angular | 0° | ±° | www.fci.com | cat. no. | - | Product - Customer Drw | | sheet 2 of 2 |