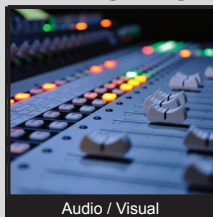


# PV3 SERIES ANTI-VANDAL SWITCH

ANTI-VANDAL SWITCHES  
DETECTOR SWITCHES  
DIP SWITCHES  
KEYLOCK SWITCHES  
NAVIGATION SWITCHES  
PUSHBUTTON SWITCHES  
ROCKER SWITCHES  
ROTARY SWITCHES  
SLIDE SWITCHES  
SNAP ACTION SWITCHES  
TACTILE SWITCHES  
TOGGLE SWITCHES  
CAP OPTIONS



## APPLICATIONS / MARKETS



Audio / Visual



Security Devices



Industrial Controls



Kiosks



Electrical Housewares



Medical Equipment

# RoHS

## SPECIFICATIONS

**Electrical Rating:** 2A, 48VDC  
**Mechanical Life:** 200,000 Cycles  
**Electrical Life:** 50,000 Cycles  
**Contact Resistance:** 50mΩ Max.  
**Insulation Resistance:** 1000MΩ Max.  
**Operating/Storage Temperature:** -20°C to 55°C  
**Travel:** 2.80mm  
**Moisture Protection:** IP40 (PV3,PV3S) & IP67 (PV3W, PV3SW)  
**Contact Arrangement:** SPST & DPDT  
**Actuation Force:** 4 N  
**Panel Thickness:** 1-8mm  
**Mounting Nut Torque:** 0.6Nm

## FEATURES & BENEFITS

- 16mm diameter panel cutout
- Dot and ring illumination options
- Multiple actuator options
- Non-sealed and seal option configurable
- SPST & DPDT

## PART NUMBER CONFIGURATOR

Series	Actuator Options	Terminal Options	Function Options	Rating Options	Body Finish Options	Actuator Finish Options	Contact Material Options	Lens Style Options	Lens Color Options	Illumination Voltage Options
<input type="text"/> <input type="text"/> <input type="text"/> <input type="text"/> <input type="text"/> <input type="text"/>	<input type="text"/>	<input type="text"/>	<input type="text"/>	<input type="text"/>	<input type="text"/>	<input type="text"/>	<input type="text"/>	<input type="text"/>	<input type="text"/>	<input type="text"/>
<b>PV3 -</b> Non Water-Resistant Version: Long Body <b>PV3S -</b> Non Water-Resistant Version: Short Body <i>Non-Illuminated only</i> <b>PV3W -</b> Water-Resistant Version: Long Body <b>PV3SW -</b> Water-Resistant Version: Short Body <i>Non-Illuminated only</i>	<b>F</b> - Flat <b>H</b> - High <b>G</b> - Guarded Concave	<b>2</b> - Solder	<b>B</b> - 1 Pole On - (On)* <b>H</b> - 2 Pole On - (On)*	<b>0</b> - 2A, 48VDC	<b>1</b> - Black Anodized <b>N</b> - Nickel <b>B</b> - Brushed Stainless <b>S</b> - Polished Stainless	<b>0</b> - Clear/Aluminum <b>1</b> - Black Anodized <b>7</b> - Blue <b>8</b> - Green <b>9</b> - Red <b>N</b> - Nickel <b>B</b> - Brushed Stainless <b>S</b> - Polished Stainless	<b>NONE</b> - Silver <b>G</b> - Gold	<b>NONE</b> - Non-Illuminated <b>2</b> - Dot Illumination <b>3</b> - Ring Illumination	<b>NONE</b> - Non-Illuminated <b>0</b> - White <b>1</b> - Red <b>2</b> - Orange <b>3</b> - Green <b>4</b> - Blue <b>5</b> - Yellow	<b>NONE</b> - Non-Illuminated <b>1</b> - Base Voltage† <b>3</b> - 6V <b>4</b> - 12V <b>5</b> - 24V <b>6</b> - 125V

NOTES:  
 \*( ) denotes function is momentary

Specifications subject to change without notice 1.12.2018



**E-SWITCH®**

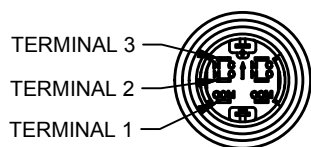
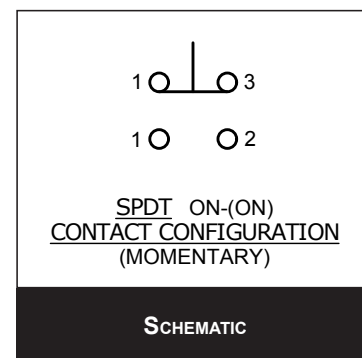
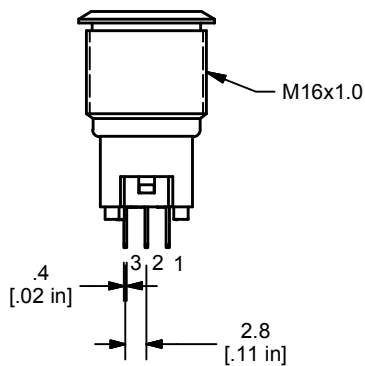
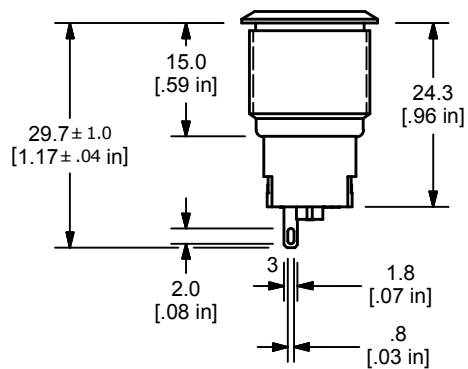
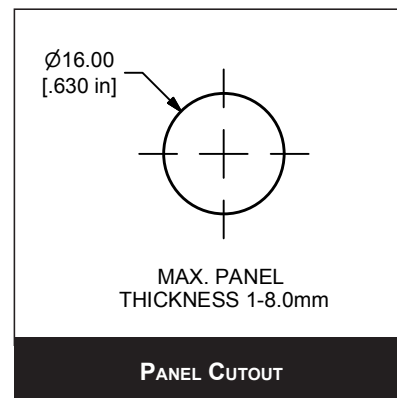
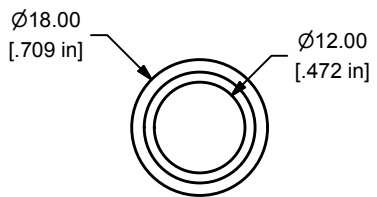
www.e-switch.com

800.867.2717

1

# PV3 SERIES ANTI-VANDAL SWITCH

## BODY DIMENSIONS



SHORT BODY



E-SWITCH®

www.e-switch.com

800.867.2717

2

ANTI-VANDAL SWITCHES

DETECTOR SWITCHES

DIP SWITCHES

KEYLOCK SWITCHES

NAVIGATION SWITCHES

PUSHBUTTON SWITCHES

ROCKER SWITCHES

ROTARY SWITCHES

SLIDE SWITCHES

SNAP ACTION SWITCHES

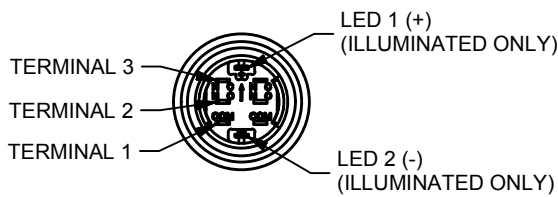
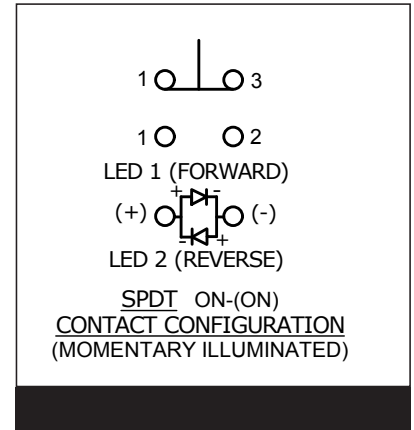
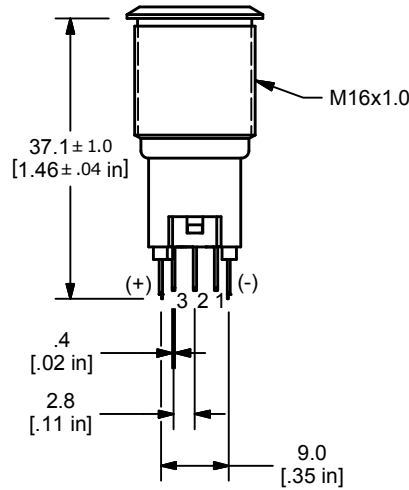
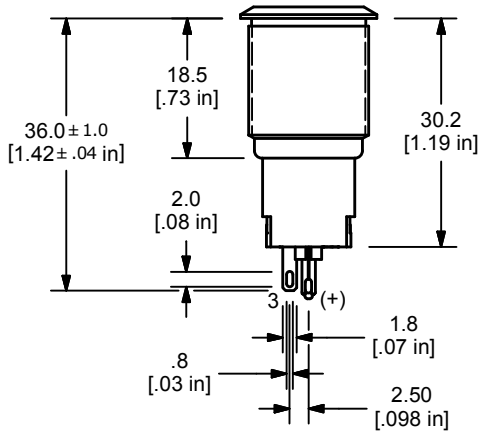
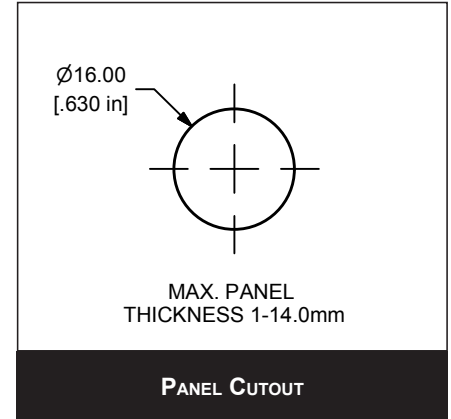
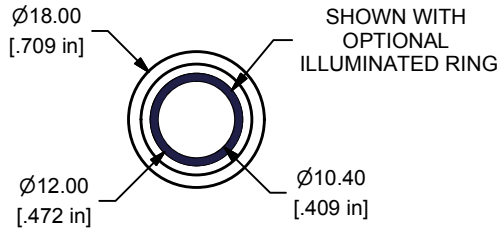
TACTILE SWITCHES

TOGGLE SWITCHES

CAP OPTIONS

# PV3 SERIES ANTI-VANDAL SWITCH

## BODY DIMENSIONS

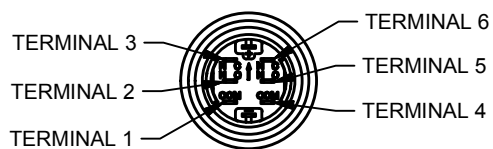
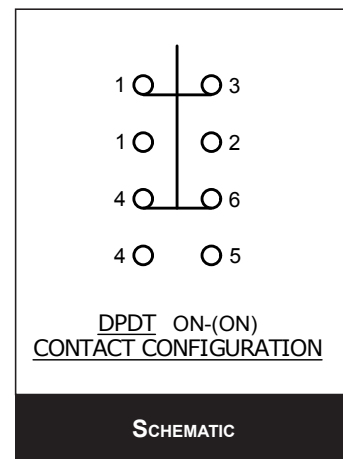
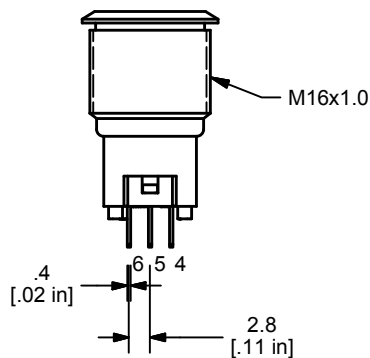
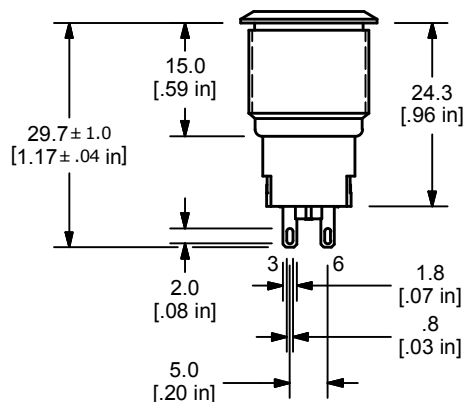
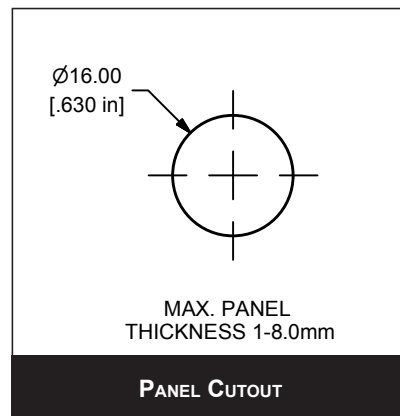
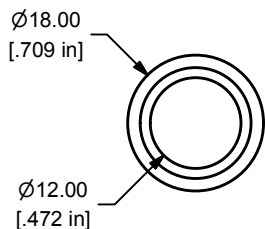


LONG BODY



# PV3 SERIES ANTI-VANDAL SWITCH

## BODY DIMENSIONS



SHORT BODY



E-SWITCH®

www.e-switch.com

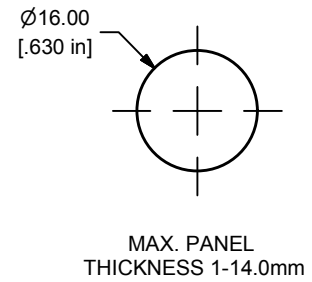
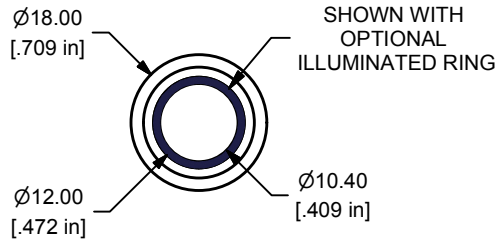
800.867.2717

4

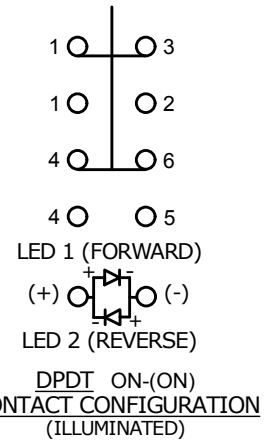
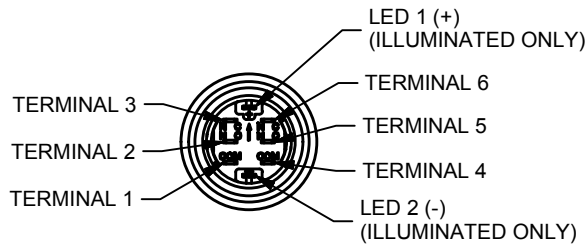
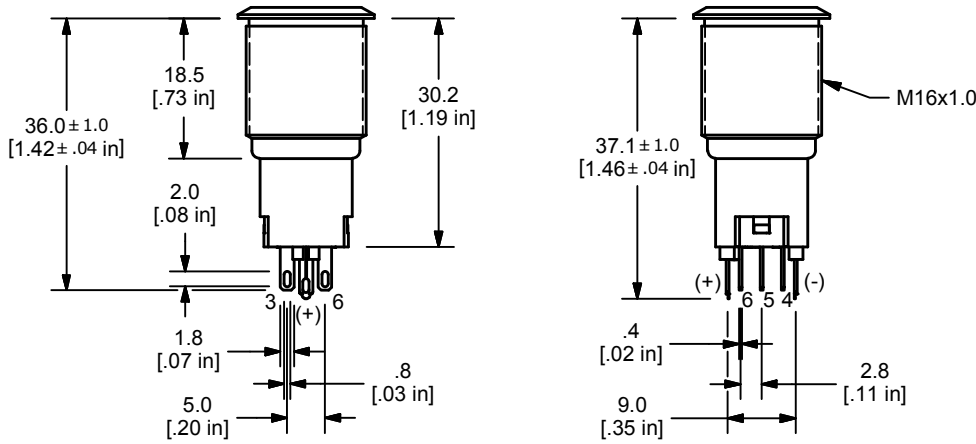
ANTI-VANDAL SWITCHES  
DETECTOR SWITCHES  
DIP SWITCHES  
KEYLOCK SWITCHES  
NAVIGATION SWITCHES  
PUSHBUTTON SWITCHES  
ROCKER SWITCHES  
ROTARY SWITCHES  
SLIDE SWITCHES  
SNAP ACTION SWITCHES  
TACTILE SWITCHES  
TOGGLE SWITCHES  
CAP OPTIONS

# PV3 SERIES ANTI-VANDAL SWITCH

## BODY DIMENSIONS



PANEL CUTOUT

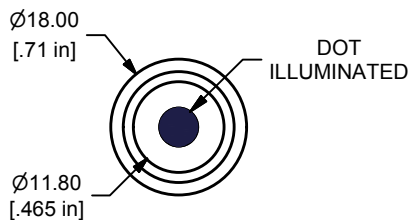


SCHEMATIC

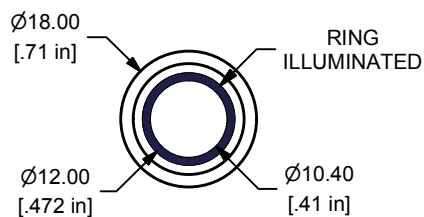
LONG BODY



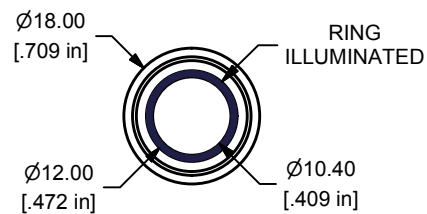
## ILLUMINATION OPTIONS



**DOT ILLUMINATED**

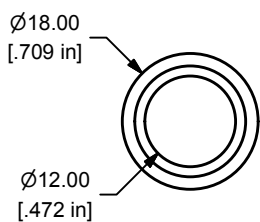


**RING ILLUMINATED**

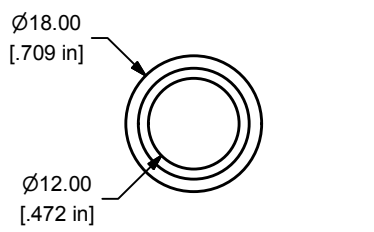


**RING ILLUMINATED  
WITH GUARDED CONCAVE ACTUATOR**

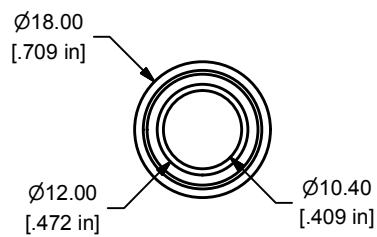
## ACTUATOR OPTIONS



**FLAT ACTUATOR**



**HIGH ACTUATOR**



**GUARDED CONCAVE**

