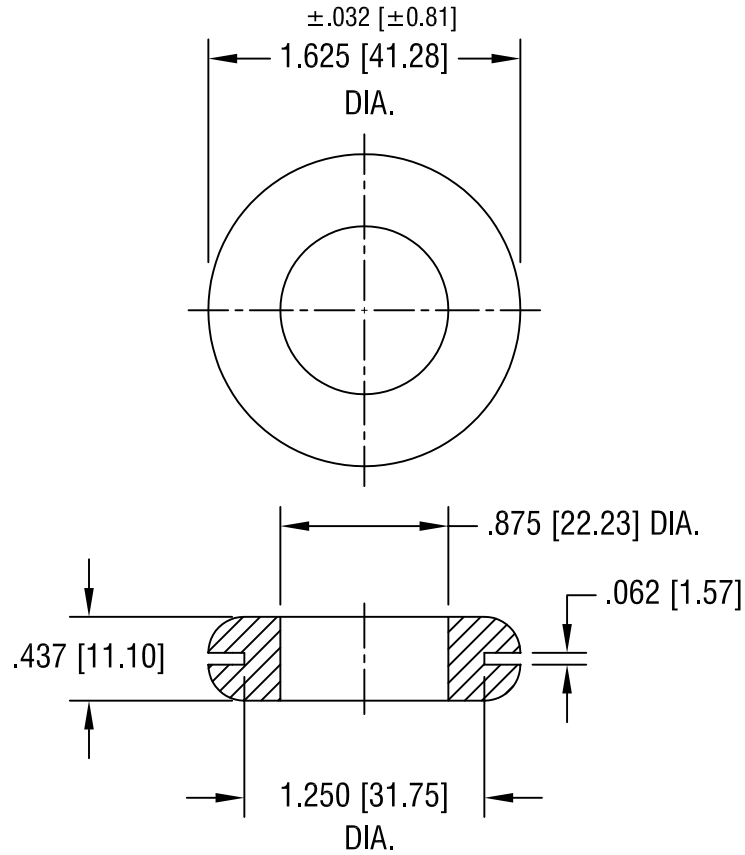


THIS DOCUMENT IS THE PROPERTY OF
KEYSTONE ELECTRONICS CORP. AND
SHALL NOT BE REPRODUCED, DISTRIBUTED
OR USED AS A BASIS FOR MANUFACTURE
WITHOUT PRIOR WRITTEN PERMISSION
FROM KEYSTONE ELECTRONICS CORP.



KEYSTONE ELECTRONICS CORP.

ASTORIA, N.Y. 11105-2017

PART NAME		RUBBER GROMMET	
MATERIAL		BUNA N	
FINISH	-	DRN BY	BOONE
		APP'D	LN
		DATE	9.16.96
		SCALE	1X
TOLERANCES	INCH [MM]	CODE	DWG NO.
DECIMAL	± .020 [± 0.50]	C/M	757
ANGULAR	± 1°		
UNLESS OTHERWISE SPECIFIED			

1.02.08	CHANGE AS PER ECN 08-016	A
DATE	DESCRIPTION	REV.