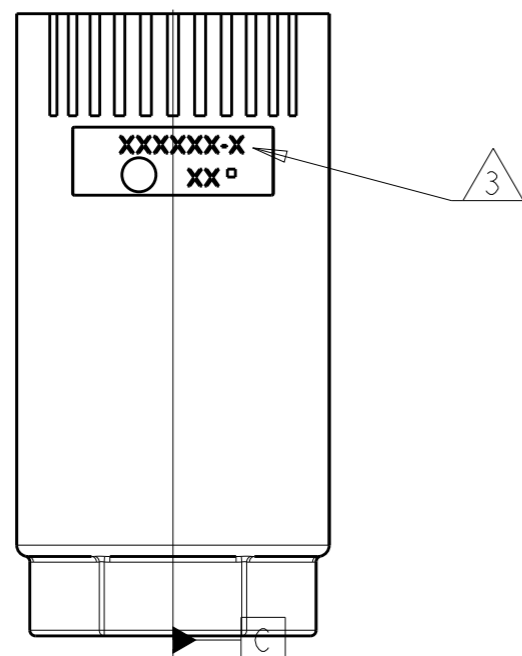


THIS DRAWING IS UNPUBLISHED. RELEASED FOR PUBLICATION 20
© COPYRIGHT 20 BY - ALL RIGHTS RESERVED.

REVISIONS

P	LTR	DESCRIPTION	DATE	DWN	APVD
	A	REVISED AS PER ECR-15-005925	21APR2015	RS	JL



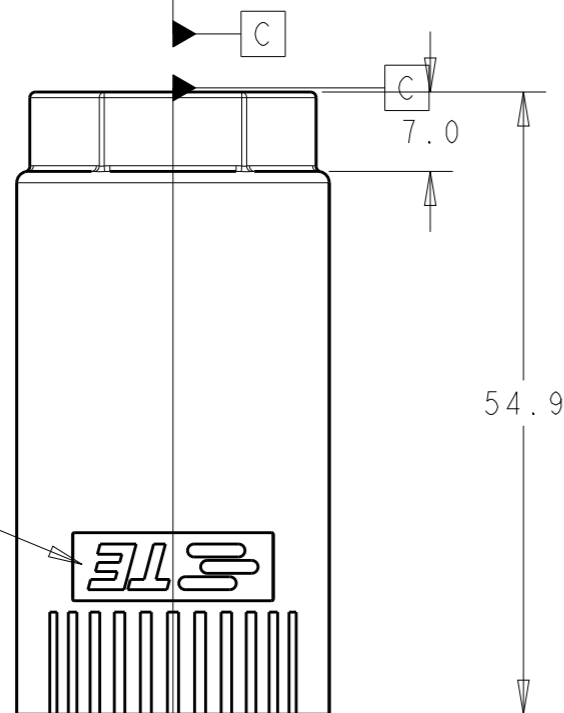
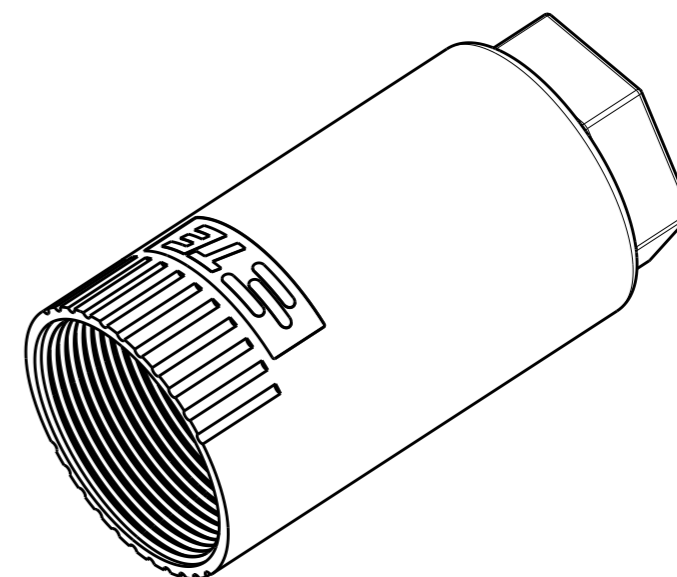
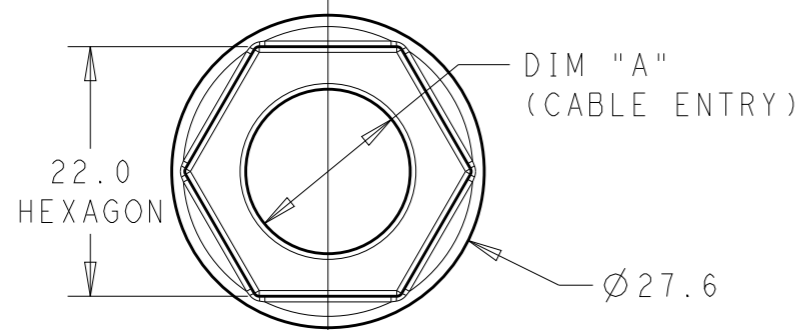
NOTES:

- 1. MATERIAL - GLASS FILLED PBT, COLOR BLACK
- 2. MUST COMPLY WITH DIRECTIVE 2002/95/EC (ROHS)


△3 TE PART NUMBER

△4 TE LOGO

5. THIS PRODUCT HAS NOT COMPLETED VALIDATION TESTING



14.0 - 17.0	17.5	2213229-2
11.0 - 14.0	14.5	2213229-1
CABLE DIA MAX	DIA "A"	PART NO.

THIS DRAWING IS A CONTROLLED DOCUMENT.		DWN J. SHAFFER 15JAN2014	 TE Connectivity	
DIMENSIONS: mm		CHK M. LUKSIC 15JAN2014		
TOLERANCES UNLESS OTHERWISE SPECIFIED:		APVD M. LUKSIC 15JAN2014	NAME RING NUT, 5/6/7 POSITION, SEALED, NECTOR M-LINE	
0 PLC ±-		PRODUCT SPEC 108-133014	SIZE A3	
1 PLC ±0.2		APPLICATION SPEC 114-32111	CAGE CODE -	
2 PLC ±0.13		WEIGHT -	DRAWING NO C-2213229	
3 PLC ±-		MATERIAL NOTE 1	RESTRICTED TO -	
4 PLC ±-			SCALE 1:1	
ANGLES ±-		SHEET 1 OF 1		REV A
FINISH -		Customer Drawing		