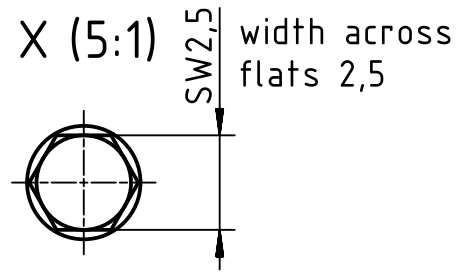
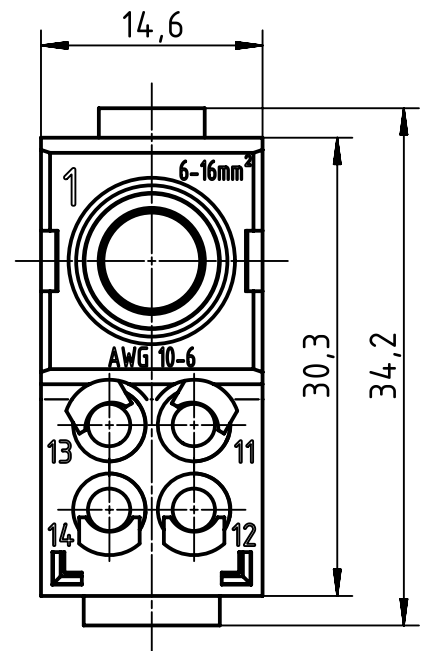
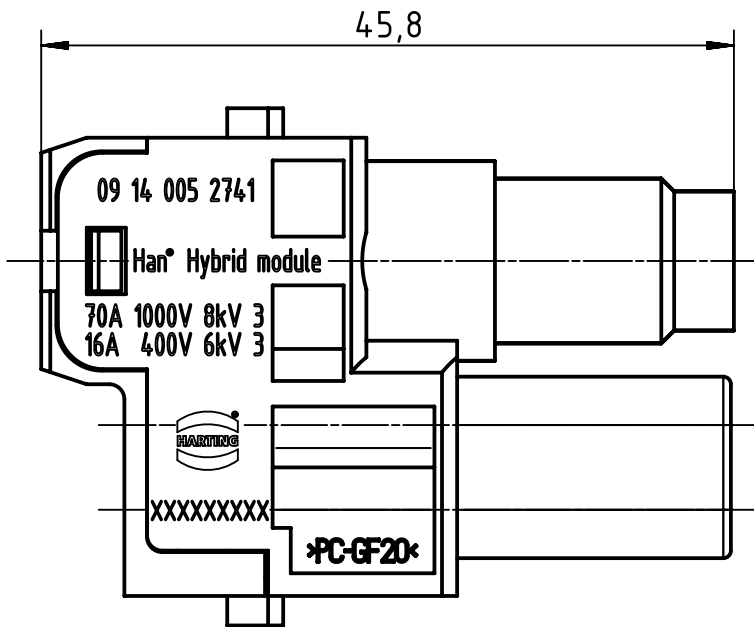
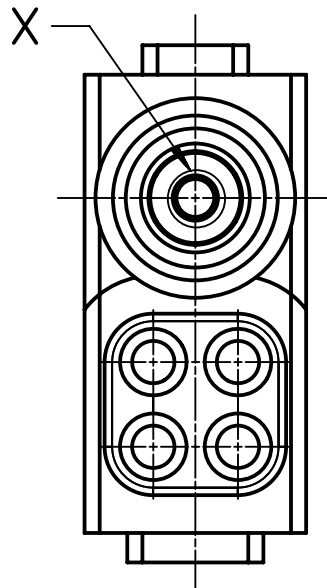
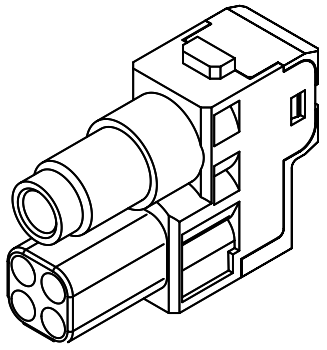


1 2 3 4 5 6

A  
B  
C  
D



for stranded wire 6-16mm<sup>2</sup>, AWG 10-6, fine wire



Coating	A=	mm <sup>2</sup>	V=	mm <sup>3</sup>	m=	g	Mat.
	All Dimensions in mm Original Size DIN A4		Scale 2:1	Free size tol.			Ref. Sub.
	All rights reserved Department EL PD - DE		Created by HARLASSK	Inspected by GERB	Standardisation TIEMANNA	Date 2016-04-13	State Final Release
HARTING Electric GmbH & Co. KG D-32339 Espelkamp			Title Han 70A Hybrid module, female 6-16mm <sup>2</sup>				Doc-Key / ECM-Nr. 100199957/UGD/004/A 500000103223
			Type TB	Number 09 14 005 2741			Rev. A
						Page 1/1	

# Mouser Electronics

Authorized Distributor

Click to View Pricing, Inventory, Delivery & Lifecycle Information:

[HARTING:](#)

[09140052741](#)