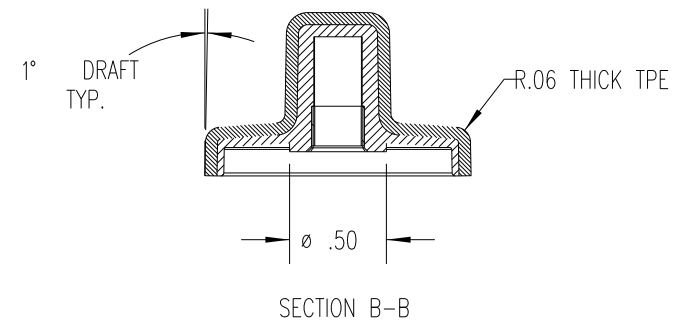
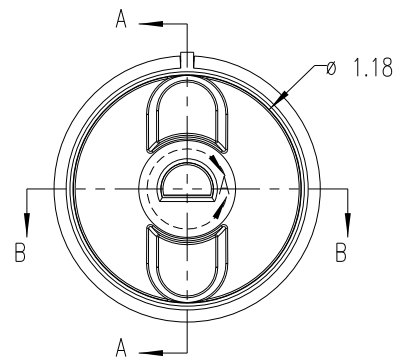
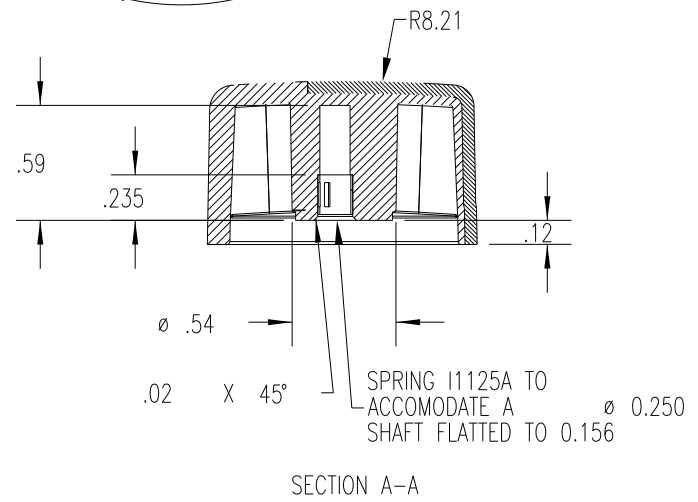
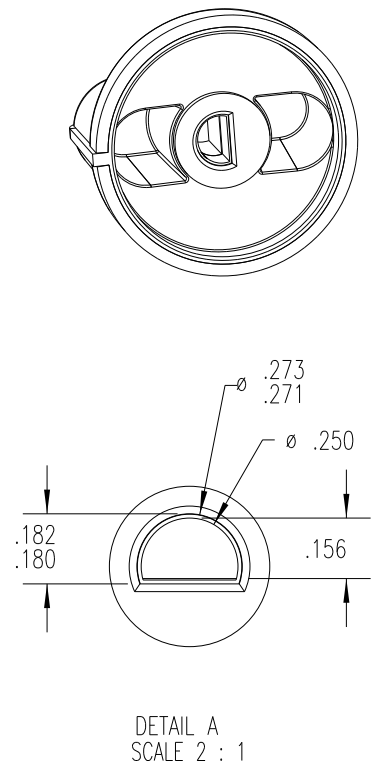
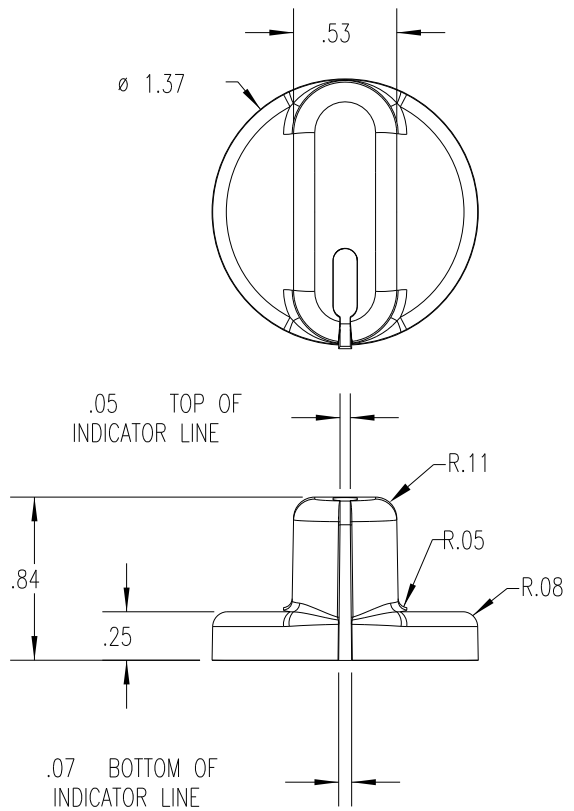


PART NAME: KNOB SCALE: 1:1 DATE: 10/18/13 DR. BY JAM

DAVIES MOLDING COMPANY  
CAROL STREAM, ILLINOIS 60188

P/N	1505-M
MOLD #	1505/1506/2813
CAVITY	1505
CORE	1505
PIN	1505-F
SPRING	I1125A

THIS DRAWING IS THE PROPERTY OF DAVIES MOLDING COMPANY, IS SUBMITTED SOLELY AS A DESIGN OR ENGINEERING PROJECT.  
WE ACCEPT NO RESPONSIBILITY WHATSOEVER FOR THE PRACTICAL APPLICATION OF THE PIECES MADE TO THIS DESIGN.



MATERIAL: POLYPROPYLENE (CLD)/TPE (TPE3)  
COLOR: WHITE/BLACK

TOLERANCES: UNLESS OTHERWISE SPECIFIED	DO NOT SCALE DRAWING			
DECIMALS: X.XXX ± .005 X.XX ± .015	MM: X.XX ± 0.15MM X.X ± 0.4MM	-	WAS SK1505-24	JAM 10/18/13
FRACTIONS ± 1/64	ANG. ± 1°	CHANGES		