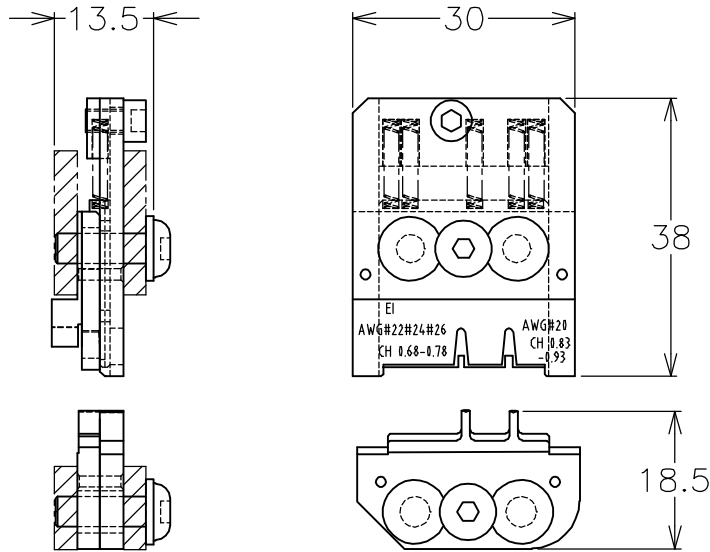


| | | | | | | | |
|----------|-----------|-----------------|-----|-------------|--------|-----|------|
| LOC J | DIST — | REVISIONS 変更 | | | DATE | DWN | APVD |
| | | P | LTR | DESCRIPTION | | | |
| | | | A | RELEASED | 3MAR06 | S.N | S.Y |

-1: AS SHOWN



THIS DRAWING IS UNPUBLISHED.

ALL RIGHTS RESERVED.

BY TYCO ELECTRONICS CORPORATION.

THIS DRAWING IS UNPUBLISHED.

ALL RIGHTS RESERVED.

BY TYCO ELECTRONICS CORPORATION.

| TERMINAL No. | WIRE SIZE AWG# | INS. RANGE (mm) | WIRE CRIMP HEIGHT (mm) | IS. No. |
|--------------|----------------|-----------------|------------------------|---------|
| 170204-1 | #22,#24,#26 | 1.1-1.7 | 0.68-0.78 | 411- |
| | #20 | 1.9 以下 | 0.83-0.93 | 78221 |

| | | | | | | | |
|---|----------------------------|------------|--|-------------|--------------|---------------|--------|
| DIMENSIONS: 単位: 耗 mm | DWN S.NAKA | 3.MAR.2006 | MATERIAL 材料 | — | FINISH 仕上 | — | |
| | CHK S.NAKA | 3.MAR.2006 | Tyco Electronics AMP K.K. Kawasaki, Japan | | | | |
| TOLERANCES UNLESS OTHERWISE SPECIFIED: 一般公差 | APVD S.YABE | 3.MAR.2006 | | | | | |
| | PRODUCT SPEC 製品規格 | — | NAME 名称 | DIE ASSY | | | |
| 0 PLC ± - 1 PLC ± - 2 PLC ± - 3 PLC ± - 4 PLC ± - ANGLES ± - | APPLICATION SPEC 取付適用規格 | 114-5035 | SIZE | A4 | CAGE CODE | 00779 | |
| | WEIGHT | 70 g | DRAWING NO 番号 | G-1891358 | | RESTRICTED TO | — |
| | CUSTOMER DRAWING | | | SCALE 尺度 | 1:1 | SHEET | 1 OF 1 |