

# A01ES-D series

Emergency stop switches •  
panel cut-out Ø 16 mm



## DISTINCTIVE FEATURES

Approved to EN 60947-5-5

5 prominent red actuator styles

Locked/unlocked status indicator option

AC15 1.5 A 250 VAC, 6 A 250 VAC

Panel sealed to IP65



## ENVIRONMENTAL SPECIFICATIONS

- Sealing options : front panel IP65, rear panel IP40 according to EN60947-5-5
- Operating temperature : -20 °C to +55 °C (-4 °F to +131 °F)



## ELECTRICAL SPECIFICATIONS

- Electrical function : push to shut off, twist to release
- Current/voltage rating : AC-15 1.5 A 250 VAC, 6 A 250 VAC
- Electrical life : 6,050 cycles
- Contact gap : > 3 mm
- Insulation resistance : 50 MΩ min
- Dielectric test voltage : 2,900 V



## GENERAL SPECIFICATIONS

- Panel thickness : 6 mm (.236) max.
- Mechanical life : 6,050 cycles
- Operating force : 18 to 20 N
- Torque : 0.8 Nm
- Soldering : 350 °C (662 °F) , 5 seconds (IEC 68-2-2-20Tb, method 2)
- Switch terminals : solder/ quick-connect 2.8 mm (.110) (IEC 68-2-20)

The company reserves the right to change specifications without notice.



# A01ES-D series

Emergency stop switches •  
panel cut-out Ø 16 mm



## MATERIALS

- Operator case : polyetherimide
- Actuator : polycarbonate
- Switch block : PBT
- Panel seal : neoprene

APEM products may be recycled at end-of-life for the re-claiming of valuable metal components.

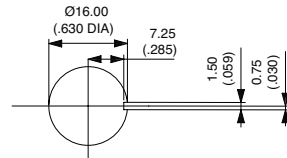
## AGENCY APPROVAL

Switch block approved to  
UL 1054 / VDE (EN 61058-1) and DEMKO (60947-5-5)

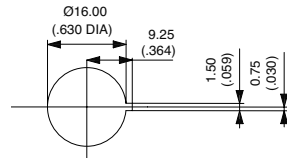


## PANEL CUT-OUT

A01ES-DM - A01ES-DSP3



A01ES-D - A01ES-DF1- A01ES-DF2



## ELECTRICAL FUNCTIONS



Single pole  
Normally Closed



Double pole  
Normally Closed

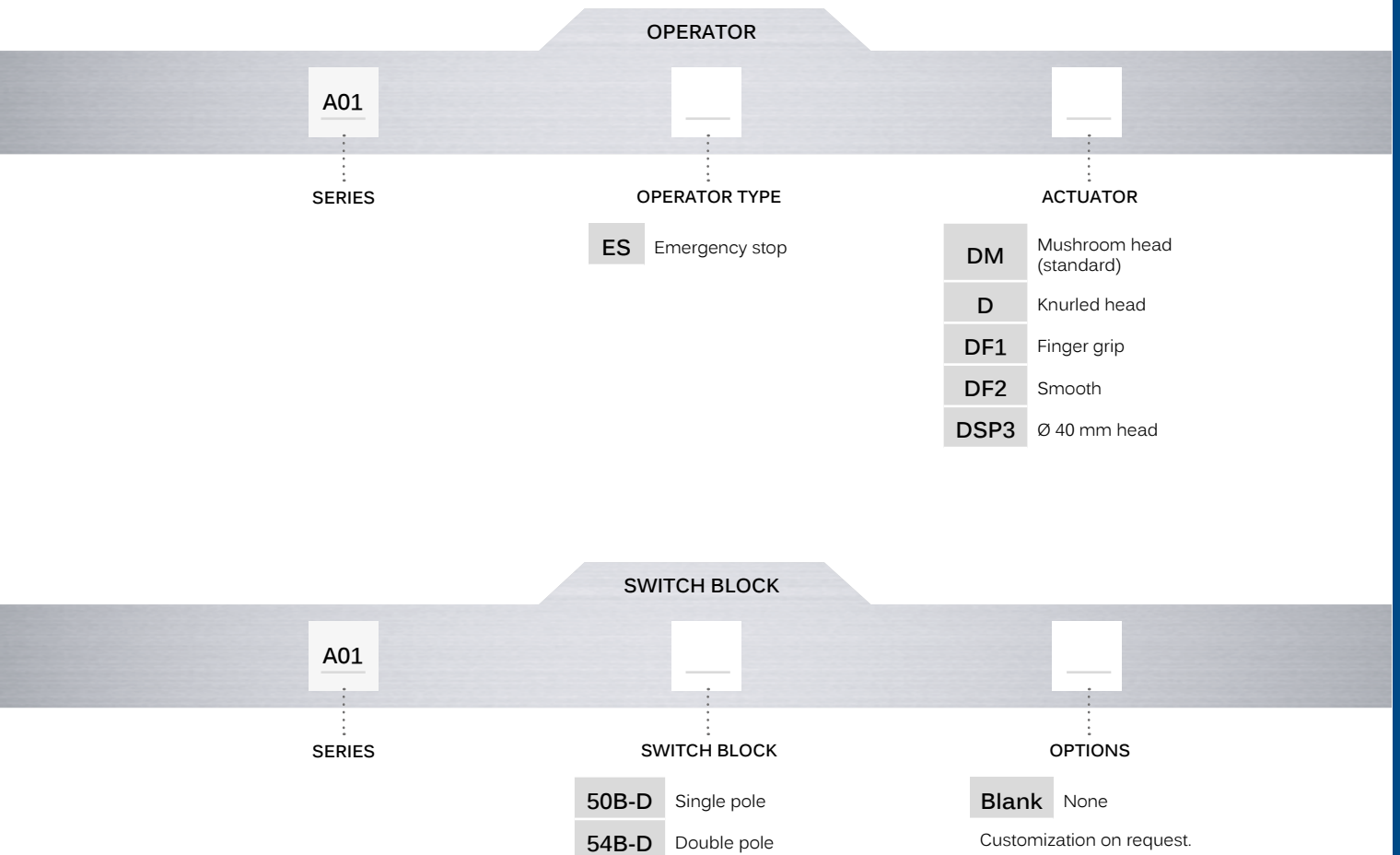
# A01ES-D series

Emergency stop switches •  
panel cut-out Ø 16 mm




## BUILD YOUR PART NUMBER

An emergency stop switch assembly requires : 1 operator + 1 switch block. Example : Ø 16 mm red twist to reset, knurled head actuator with double pole positive break switch block = A01ES-D + A0154B-D



## ABOUT THIS SERIES

 **Mounting accessories** : standard hardware supplied : 1 nut and 1 flat seal

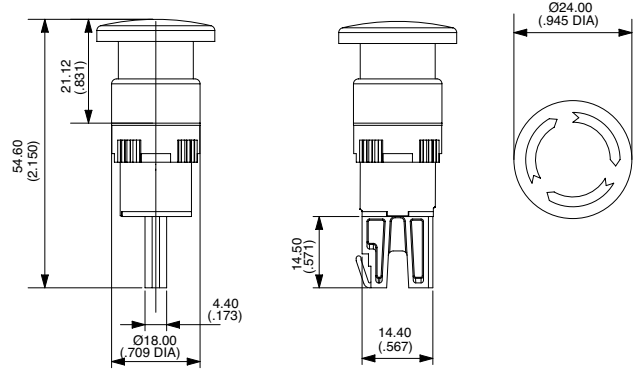
# A01ES-D series

Emergency stop switches •  
panel cut-out Ø 16 mm

## MUSHROOM HEAD ACTUATOR - STANDARD



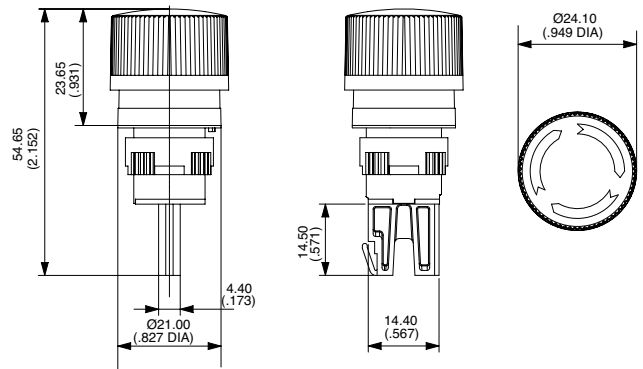
A01ES-DM



## KNURLED HEAD ACTUATOR



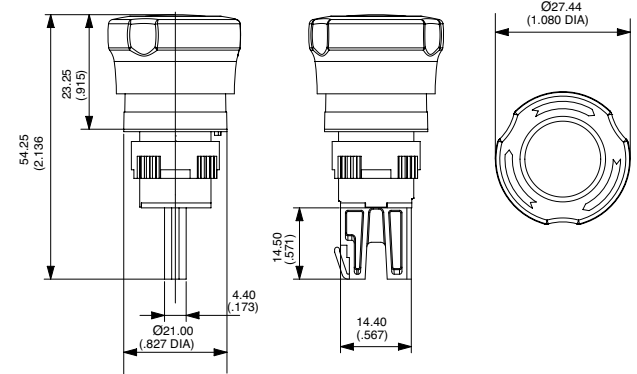
A01ES-D



## FINGER GRIP ACTUATOR



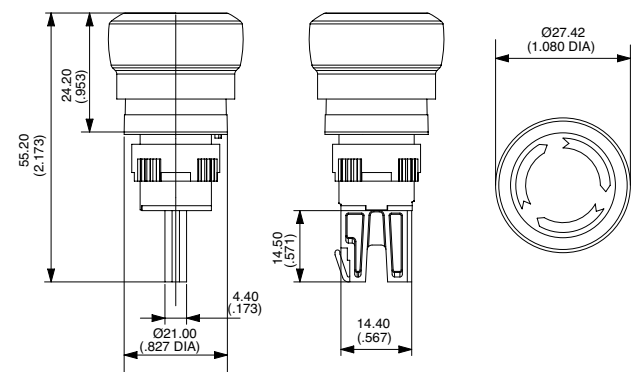
A01ES-DF1



## SMOOTH ACTUATOR



A01ES-DF2



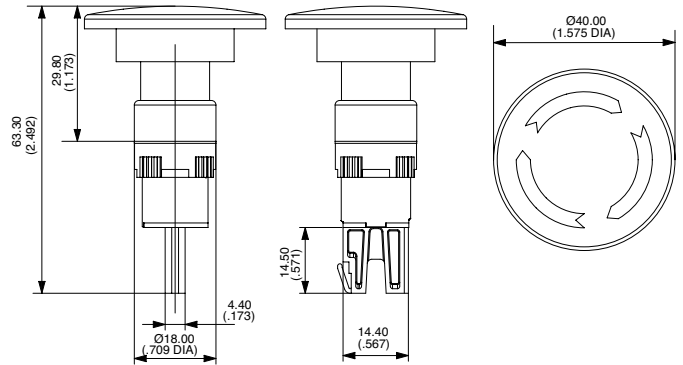
# A01ES-D series

Emergency stop switches • panel cut-out Ø 16 mm

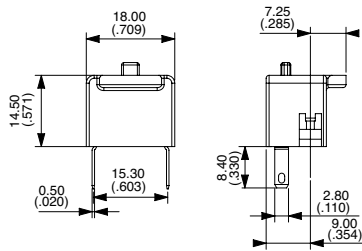
## Ø 40 MM HEAD ACTUATOR



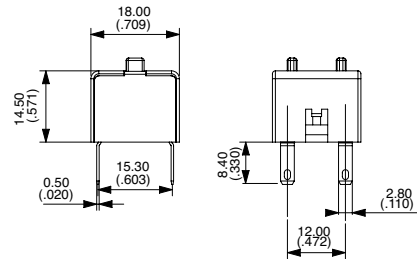
A01ES-DSP3



## SINGLE POLE SWITCH BLOCK: A0150B-D



## DOUBLE POLE SWITCH BLOCK: A0154B-D



## ACCESSORIES

Order separately.

### Ø 60 MM SELF-ADHESIVE LABEL

- A01YL1 English text
- A01YL2 Without text
- A01YL3 French text
- A01YL4 Italian text
- Other languages on request.



### NUT TOOL

- 30-0001 Nut tool

