



- Feature -
- panel mount
  - moisture and dust proof
  - metal style
  - full color LED illuminated available
- Application -
- indoor lighting
  - ambient light monitoring
  - CCTV security equipments
  - detection of ambient light to control some devices

SPECIFICATIONS

SWITCH SPECIFICATIONS	
POLE - POSITION	One-Channel
CIRCUIT FEATURE	Capacitive digital signal
OPERATING TEMPERATURE RANGE	-20°C ~ 70°C

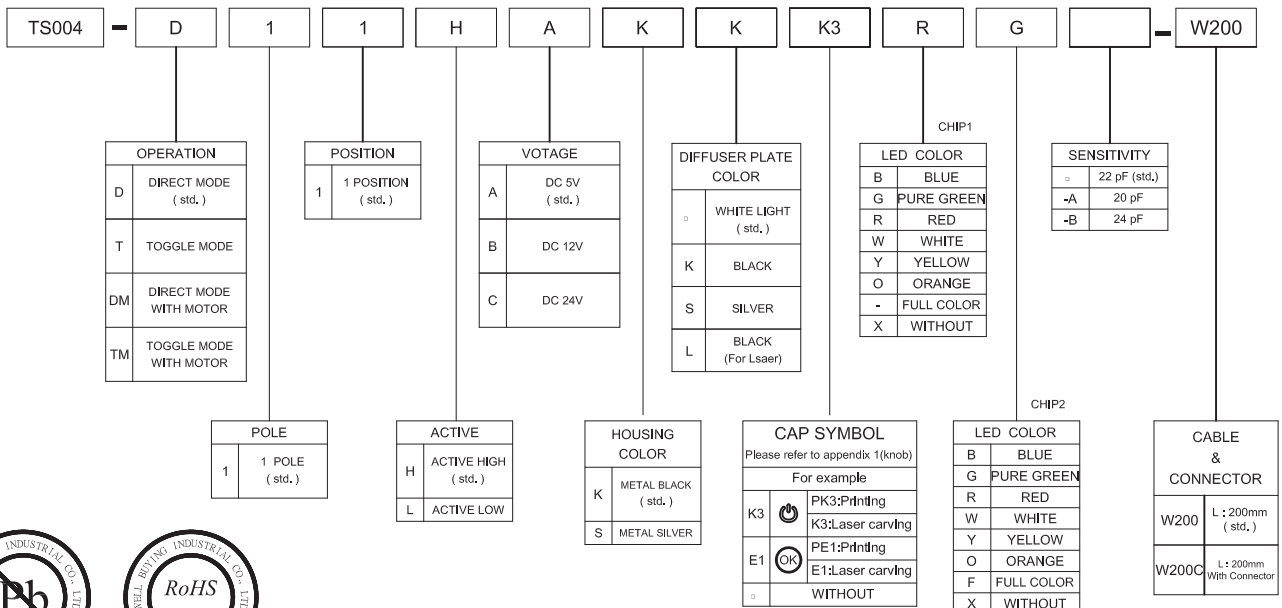
ELECTRICAL CHARACTERISTICS						
Symbol	Parameter	Conditions	MIN.	TYP.	MAX.	Units
V <sub>DD</sub>	Operating voltage		1.8	3	5.5	V
F	System oscillator	V <sub>DD</sub> = 3V	25		600	KHz
F <sub>SEN</sub>	Sensor oscillator	V <sub>DD</sub> =3V, Output no load		800		KHz
I <sub>OP</sub>	Operating current	V <sub>CC</sub> =3V, Output no load		1.5	2.7	uA
V <sub>IL</sub>	Input ports	Input low voltage	0		0.2	V <sub>DD</sub>
V <sub>IH</sub>	Input ports	Input high voltage	0.8		1.0	V <sub>DD</sub>
I <sub>OL</sub>	Output port sink current	V <sub>DD</sub> =3V, V <sub>OL</sub> =0.6V		8		mA
I <sub>OH</sub>	Output port source current	V <sub>DD</sub> =3V, V <sub>OH</sub> =2.4V		-4		mA
T <sub>R</sub>	Output response time	V <sub>DD</sub> =3V			150	mS

LED SPECIFICATIONS					
ATTENTION	Unit	Value / LED Color			
		Ultra Red	Ultra Blue	Ultra Yellow	
FORWARD CURRENT	I <sub>f</sub> mA	20	20	20	
REVERSE VOLTAGE	V <sub>r</sub> V	5.0	5.0	5.0	
REVERSE CURRENT	I <sub>r</sub> uA	10	50	10	
FORWARD VOLTAGE@20mA	V <sub>f</sub> V	1.95-2.5	3.3-4.0	2.1-2.5	
LUMINOUS INTENSITY@20mA	I <sub>v</sub> mcd	220	60	50	

LED SPECIFICATIONS						
ATTENTION	Unit	Value / LED Color				
		Ultra White	Pure Green	Full Color		
		Red	Green	Blue		
FORWARD CURRENT	I <sub>f</sub> mA	20	20	20	20	20
REVERSE VOLTAGE	V <sub>r</sub> V	5.0	5.0	5.0	5.0	5.0
REVERSE CURRENT	I <sub>r</sub> uA	50	50	10	50	50
FORWARD VOLTAGE@20mA	V <sub>f</sub> V	3.3-4.0	3.3-4.1	1.95-2.5	3.3-4.1	3.3-4.0
LUMINOUS INTENSITY@20mA	I <sub>v</sub> mcd	120-200	450	200	280	70

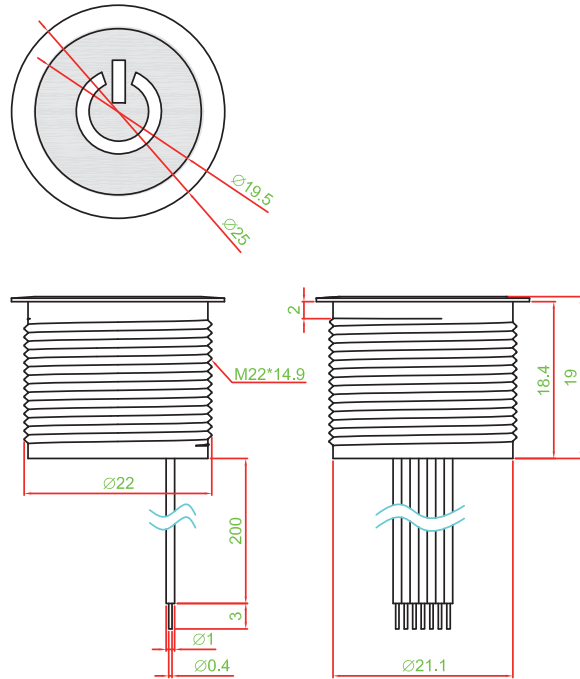
Physical and electrical information of LED will be provided upon customer's request on switches .

HOW TO ORDER



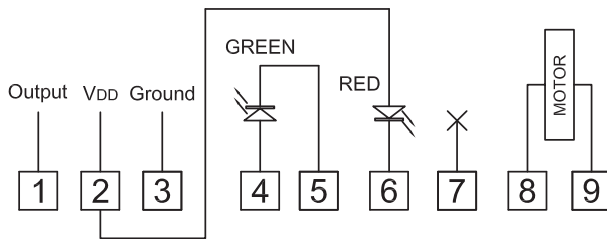
► **DIMENSION & FRAME TYPE**

TS004-DM11HAKKK3 □□□□ -W200

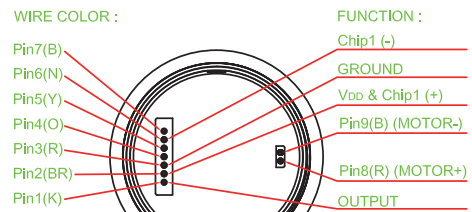


► **CIRCUIT**

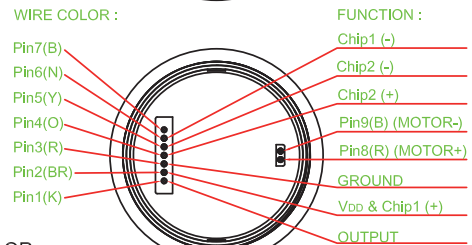
TWO COLOR :



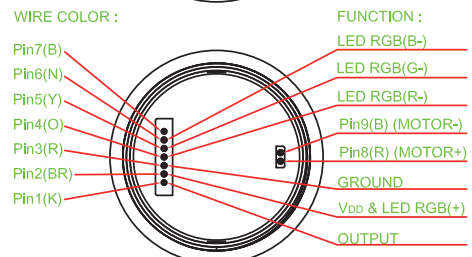
SINGLE COLOR



TWO COLOR



FULL COLOR



► **MATERIAL**

- COVER : ALUMINUM
- ACTUATOR : POM
- BASE FRAME : PA + GF
- TERMINAL : PHOSPHOR BRONZE SILVER PLATING
- SPRING : PHOSPHOR BRONZE SILVER PLATING