



- Feature -
- panel mount
 - moisture and dust proof
 - metal style
 - full color LED illuminated available
- Application -
- indoor lighting
 - ambient light monitoring
 - CCTV security equipments
 - detection of ambient light to control some devices

SPECIFICATIONS

SWITCH SPECIFICATIONS	
POLE - POSITION	One-Channel
CIRCUIT FEATURE	Capacitive digital signal
OPERATING TEMPERATURE RANGE	-20°C ~ 70°C

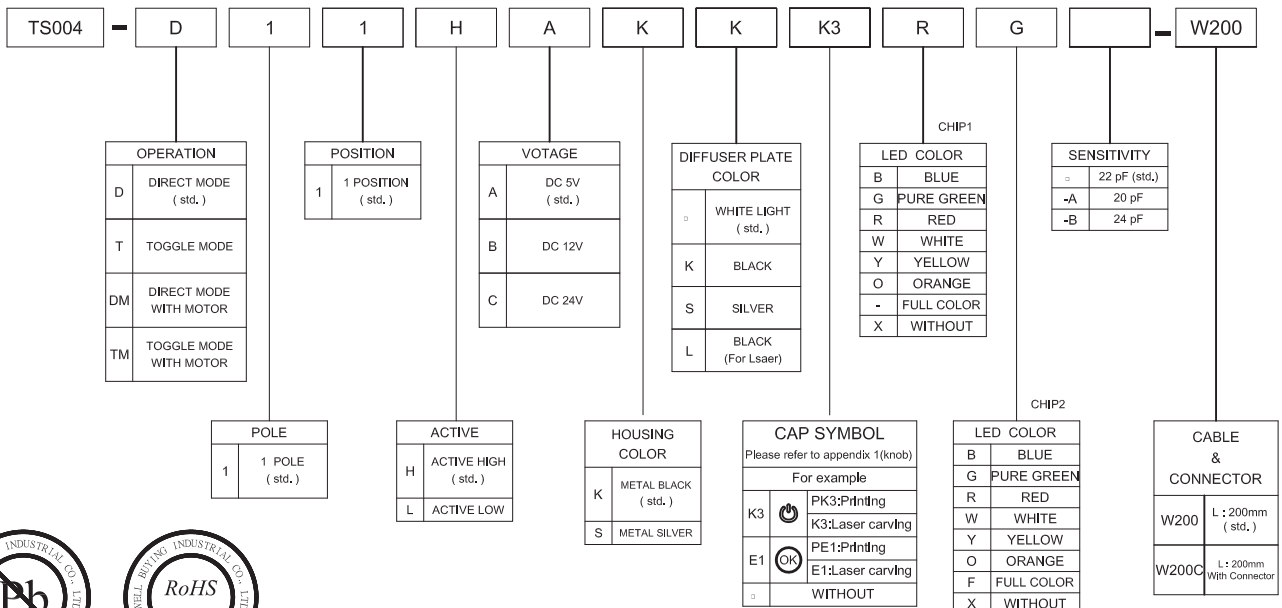
ELECTRICAL CHARACTERISTICS						
Symbol	Parameter	Conditions	MIN.	TYP.	MAX.	Units
V _{DD}	Operating voltage		1.8	3	5.5	V
F	System oscillator	V _{DD} = 3V	25		600	KHz
F _{SEN}	Sensor oscillator	V _{DD} =3V, Output no load		800		KHz
I _{OP}	Operating current	V _{CC} =3V, Output no load		1.5	2.7	uA
V _{IL}	Input ports	Input low voltage	0		0.2	V _{DD}
V _{IH}	Input ports	Input high voltage	0.8		1.0	V _{DD}
I _{OL}	Output port sink current	V _{DD} =3V, V _{OL} =0.6V		8		mA
I _{OH}	Output port source current	V _{DD} =3V, V _{OH} =2.4V		-4		mA
T _R	Output response time	V _{DD} =3V			150	mS

LED SPECIFICATIONS							
ATTENTION	(+)-○-○(-)	Unit	Value / LED Color				
			Ultra Red	Ultra Blue	Ultra Yellow		
	LEDs are Electrostatic Sensitive devices	FORWARD CURRENT	I _f	mA	20	20	20
		REVERSE VOLTAGE	V _r	V	5.0	5.0	5.0
		REVERSE CURRENT	I _r	uA	10	50	10
		FORWARD VOLTAGE@20mA	V _f	V	1.95-2.5	3.3-4.0	2.1-2.5
LUMINOUS INTENSITY@20mA	I _v	mcd	220	60	50		

LED SPECIFICATIONS									
ATTENTION	(+)-○-○(-)	Unit	Value / LED Color						
			Ultra White	Pure Green	Full Color				
	LEDs are Electrostatic Sensitive devices	FORWARD CURRENT	I _f	mA	20	20	20	20	20
		REVERSE VOLTAGE	V _r	V	5.0	5.0	5.0	5.0	5.0
		REVERSE CURRENT	I _r	uA	50	50	10	50	50
		FORWARD VOLTAGE@20mA	V _f	V	3.3-4.0	3.3-4.1	1.95-2.5	3.3-4.1	3.3-4.0
		LUMINOUS INTENSITY@20mA	I _v	mcd	120-200	450	200	280	70

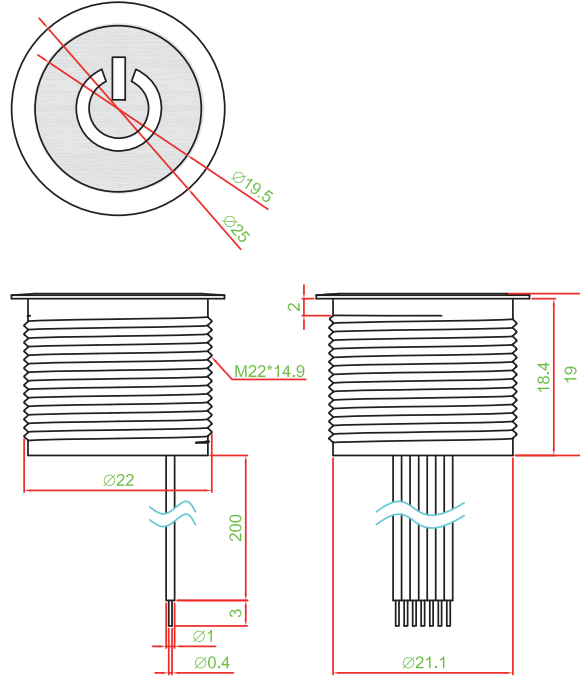
Physical and electrical information of LED will be provided upon customer's request on switches .

HOW TO ORDER



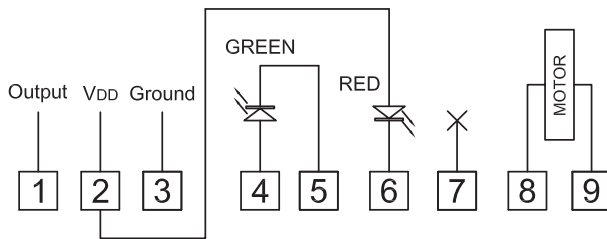
► **DIMENSION & FRAME TYPE**

TS004-DM11HAKKK3 □□□□ -W200

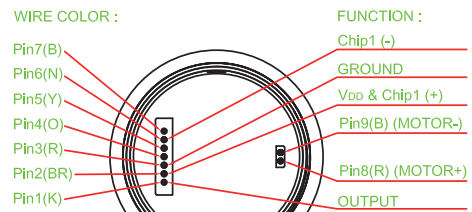


► **CIRCUIT**

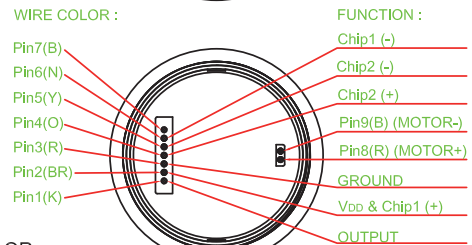
TWO COLOR :



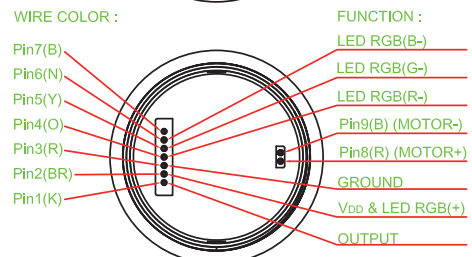
SINGLE COLOR



TWO COLOR



FULL COLOR



► **MATERIAL**

- COVER : ALUMINUM
- ACTUATOR : POM
- BASE FRAME : PA + GF
- TERMINAL : PHOSPHOR BRONZE SILVER PLATING
- SPRING : PHOSPHOR BRONZE SILVER PLATING