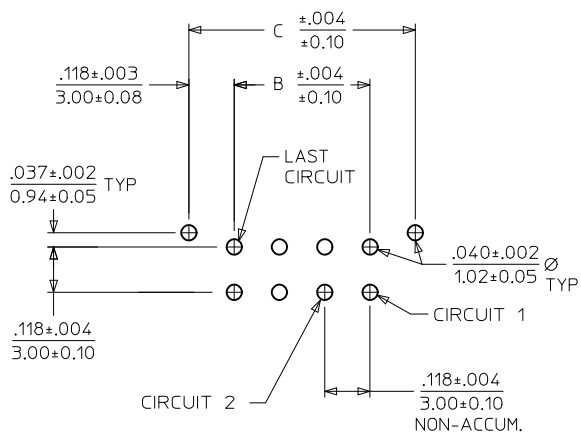
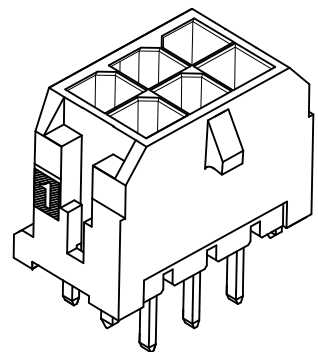
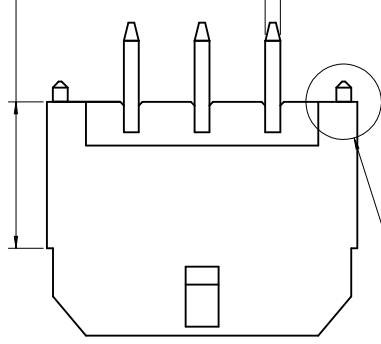
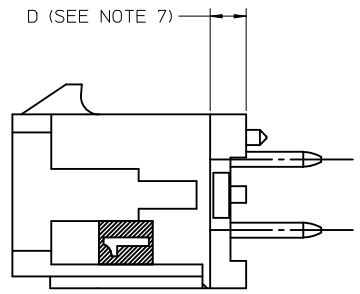
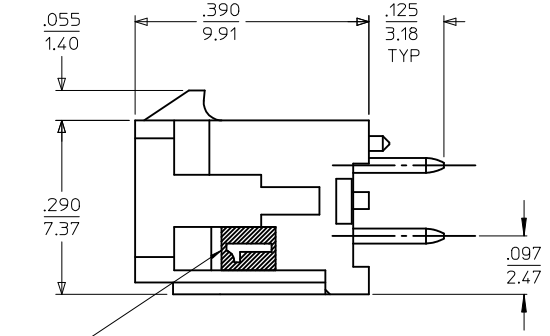
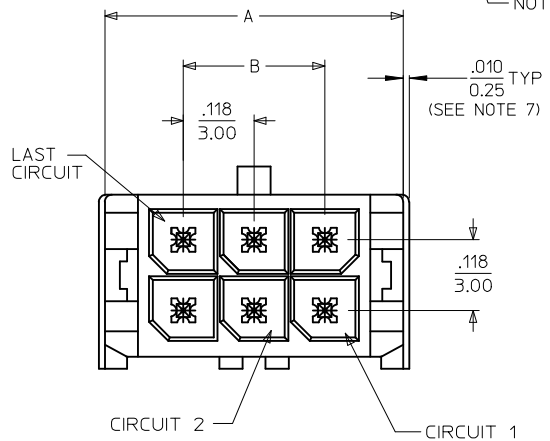


D (SEE NOTE 7)
 $\frac{.025}{0.64}$ SQ TYP



CKTS	A	B	C
02	.262		.236
	6.65	NA	6.00
04	.380	.118	.354
	9.65	3.00	9.00
08	.616	.354	.591
	15.65	9.00	15.00
12	.852	.591	.827
	21.65	15.00	21.00
24	1.561	1.299	1.535
	39.65	33.00	39.00

NOTE : (2) POLARIZATION PEGS ARE SHOWN. HOWEVER, ASSEMBLIES MAY BE MANUFACTURED WITH (1) PEG ONLY.



NOTES:

- HOUSING MATERIAL: GLASS FILLED LIQUID CRYSTAL POLYMER, UL94V-0, COLOR-BLACK
 TERMINAL MATERIAL: BRASS ALLOY
- FINISH:
 A = .000100/(0.00254) MIN. TIN OVER
 .000050/(0.00127) MIN. NICKEL PLATE.
 B = .000015/(0.00038) MIN. SELECT GOLD IN CONTACT AREA
 .000100/(0.00254) MIN. SELECT MATTE TIN ON SOLDER TAILS
 BOTH OVER .000050/(0.00127) MIN. NICKEL PLATE
 C = .000030/(0.00076) MIN. SELECT GOLD IN CONTACT AREA
 .000100/(0.00254) MIN. SELECT MATTE TIN ON SOLDER TAILS
 BOTH OVER .000050/(0.00127) MIN. NICKEL PLATE
- PRODUCT SPECIFICATION: PS-43045
- TRAY PACKAGED: SEE MOLEX DRAWING PK-70873-0314
- MATES WITH MICRO FIT (3.0) RECEPTACLE SERIES 43025
- THE PRIMARY SHIPPING CARTON WILL BE LABELED, "COMPLIANT TO RoHS DIRECTIVE 2002/95/EC AND ELV ANNEX II OF DIRECTIVE 2000/53/EC." ASSEMBLIES WILL BE COMPLIANT TO THE RoHS AND ELV (LEAD-FREE) DIRECTIVES.
- CIRCUIT SIZES 2-6: "D" IS .265/6.74 FOR .010/0.25 STEP
 CIRCUIT SIZES 8-24: "D" IS .063/1.60 FOR .010/0.25 STEP.
- THIS PART CONFORMS TO CLASS B REQUIREMENTS OF COSMETIC SPECIFICATION PS-45499-002.

FINISH A		FINISH B		FINISH C	
CKTS	MATERIAL NO:	CKTS	MATERIAL NO:	CKTS	MATERIAL NO:
02	43045-5227				
		04	43045-5428	04	43045-5429
08	43045-5827			08	43045-5829
12	43045-6227			12	43045-6229
24	43045-7427				

ADD *D* DIM EC NO: UCP2011-0508 DRWNG:GIRAMANI 2010/08/26 CHKD:SSOUSEK 2010/08/26 APPR:FSMLTH 2010/12/23	QUALITY SYMBOLS $\nabla = 0$ $\nabla = 0$ $\nabla = 0$	GENERAL TOLERANCES (UNLESS SPECIFIED) <table border="1"> <tr> <th></th> <th>mm</th> <th>INCH</th> </tr> <tr> <td>4 PLACES</td> <td>\pm---</td> <td>\pm---</td> </tr> <tr> <td>3 PLACES</td> <td>\pm---</td> <td>\pm.010</td> </tr> <tr> <td>2 PLACES</td> <td>\pm0.25</td> <td>\pm.014</td> </tr> <tr> <td>1 PLACE</td> <td>\pm0.36</td> <td>\pm---</td> </tr> </table>		mm	INCH	4 PLACES	\pm ---	\pm ---	3 PLACES	\pm ---	\pm .010	2 PLACES	\pm 0.25	\pm .014	1 PLACE	\pm 0.36	\pm ---	DIMENSION STYLE IN/MM SCALE NONE DESIGN UNITS METRIC THIRD ANGLE PROJECTION	DRAWN BY: RHOLTS DATE: 2004/07/23 CHECKED BY: LSCHMIDT DATE: 2004/07/23 APPROVED BY: FSMITH DATE: 2004/07/23	TITLE MICRO FIT (3.0) DUAL ROW VERTICAL THRU HOLE HEADER ASSY, LEAD-FREE MOLEX INCORPORATED DOCUMENT NO. SD-43045-024 SHEET NO. 1 OF 1
		mm	INCH																	
	4 PLACES	\pm ---	\pm ---																	
3 PLACES	\pm ---	\pm .010																		
2 PLACES	\pm 0.25	\pm .014																		
1 PLACE	\pm 0.36	\pm ---																		
DRAFT WHERE APPLICABLE MUST REMAIN WITHIN DIMENSIONS		MATERIAL NO. SEE CHART	THIS DRAWING CONTAINS INFORMATION THAT IS PROPRIETARY TO MOLEX INCORPORATED AND SHOULD NOT BE USED WITHOUT WRITTEN PERMISSION																	
REV																				