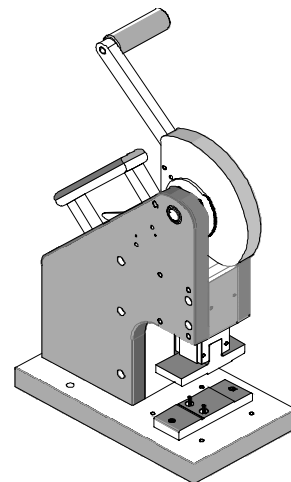




Operating Instruction Sheet For 64000-0041 (Manual Press) For SC Power Connector Product No. 19403-0011

FEATURES

- Ratchet mechanism to insure full stroke.
- Adjustable termination height.
- Reversible for right or left hand operation.
- Dedicated tooling for quality assembly.



SCOPE

Self-Contained Power Connector Assembly for 14 AWG stranded wire. This connector is designed exclusively for Coleman Cable E54864-H SEOPRENE 105 14 AWG 3/C SE00W (UL) 600 V. -50°C to 105°C CSA LL39753-H STOOW (TPE).

OPERATION

1. Strip cable jacket and pre-form the wires as shown in Figure 1.
2. Position the clear cover (bottom facing upward) as shown in Figure 2.

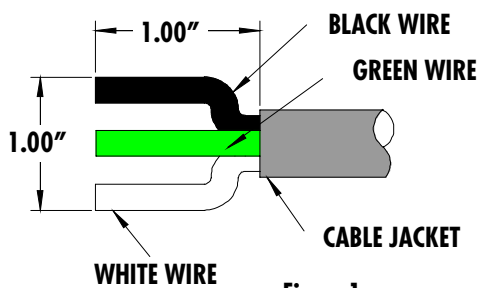


Figure 1

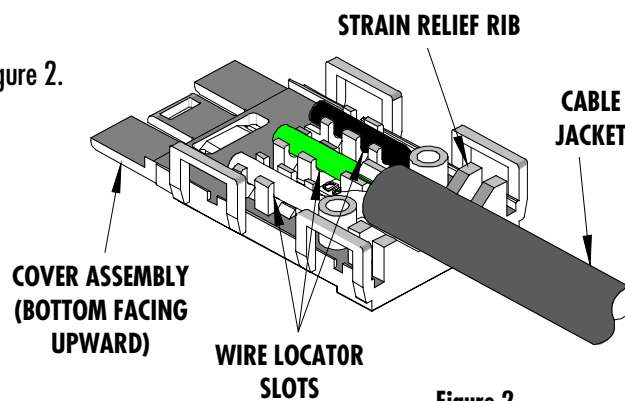


Figure 2

3. Position wires into locator slots. Be certain to place black wire in slot marked BLK, green wire in slot marked GRD, and the white wire in the third slot. Upon final positioning of all wires, be certain the end of the cable jacket is a minimum of .06" past the second strain relief rib as shown in Figure 2.

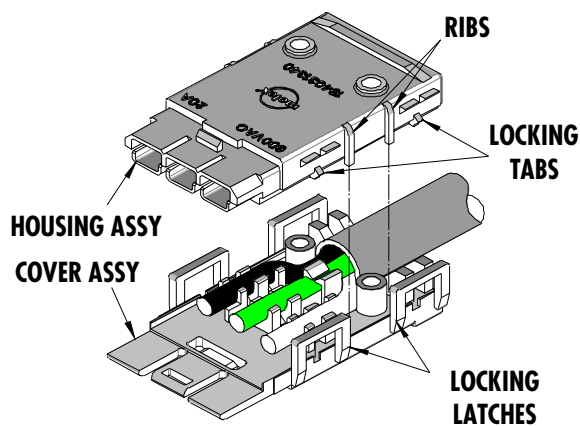


Figure 3

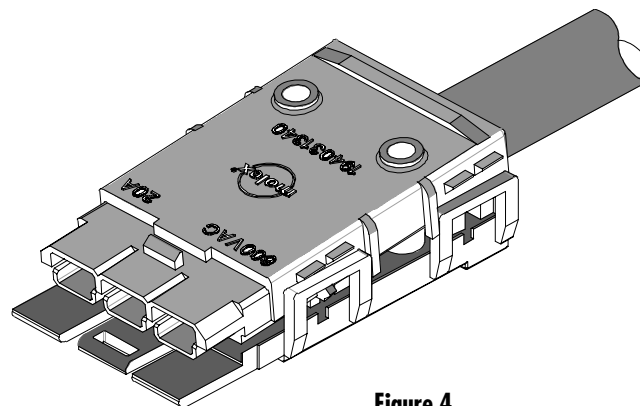


Figure 4

4. Position the housing assembly over the cover with the ribs in the housing aligned between the latches as shown in Figure 3. Push the two halves together until the locking tabs engage as shown in Figure 4.
5. Place the connector assembly on the anvil. Position the connector mounting holes onto the locator pins as shown in Figure 5.
6. With connector in position as shown in Figure 6, pull the ram handle from the full up position to the full down position and return.
7. Remove terminated connector assembly by lifting straight up to disengage connector from locator pins.

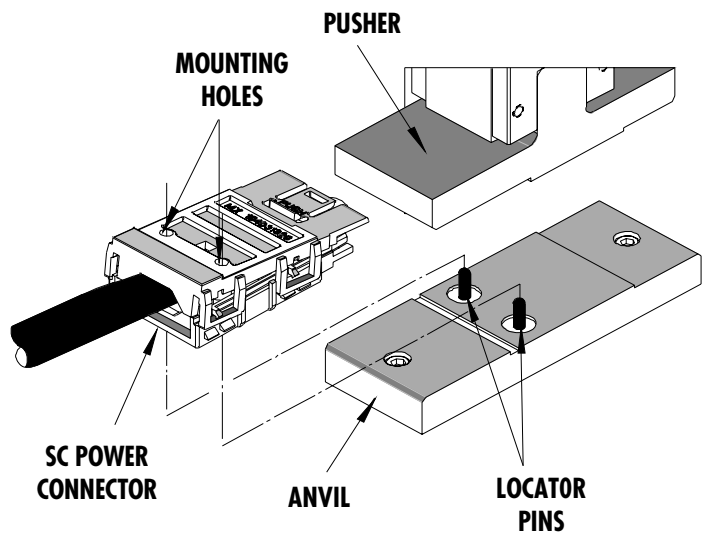


Figure 5

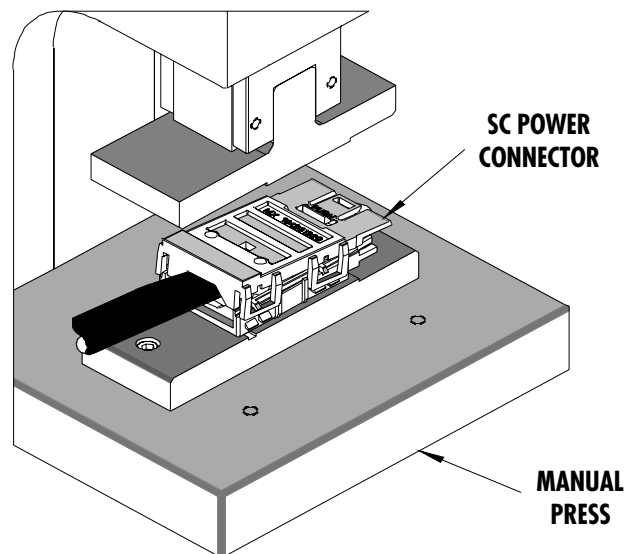


Figure 6

Note: Also see Document No. 11-32-8186 for operation and maintenance for Part No. 11-31-6356 (AM-60026) Manual Assembly Press.

Molex Application Tooling Group
 1150 E. Diehl Road
 Naperville, IL 60563
 (630) 969-4550; FAX (630) 505-0049

PARTS LIST

Item	Order No.	Engineering No.	Description	QTY	NotesPart
	64000-0041	64000-0041	Manual Press with Tooling	REF	(Fig. 7)
1	64000-0043	64000-0043	Anvil-	1	
2	64000-0044	64000-0044	Pusher	1	
3	11-31-6356	AM60026-50	Manual Assembly Press (Press Only)	1	
4	11-31-7151	AM60037-5	Latch	1	
5	11-31-7152	AM60037-6	Latch spring	1	
6	11-32-6818	AM63240Q01	Adapter Body	1	
7	N/A	N/A	#8-32 by 5/8" Lg. SHCS	3	**
8	N/A	N/A	M3 by 6.0mm Lg. SHCS	1	**
9	N/A	N/A	1/8 by 3/4" Lg Dowel Pin	2	**
10	N/A	N/A	1.5 by 6.0mm Lg. Roll Pin	1	**
	64000-0045	64000-0045	Tool Kit (All Items except Item 3)	0	

** The following purchased parts are available from an Industrial supply company such as MSC 1-800-645-7270.

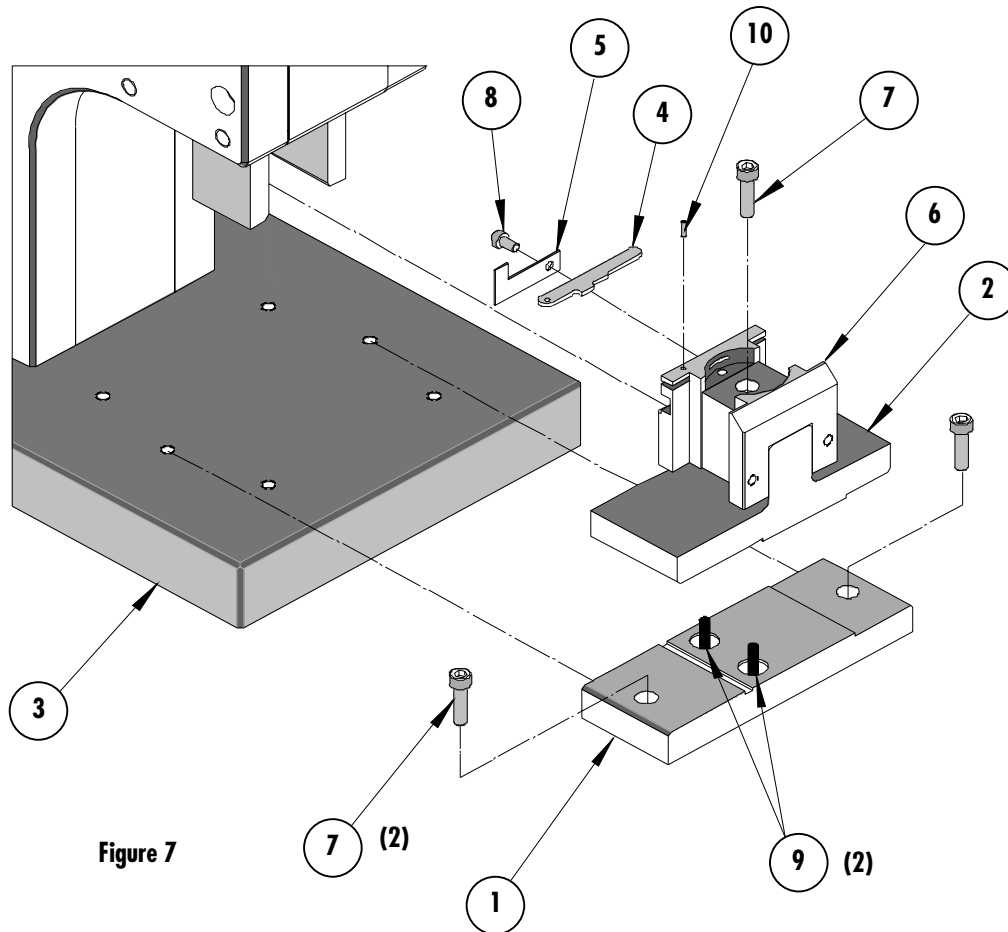


Figure 7