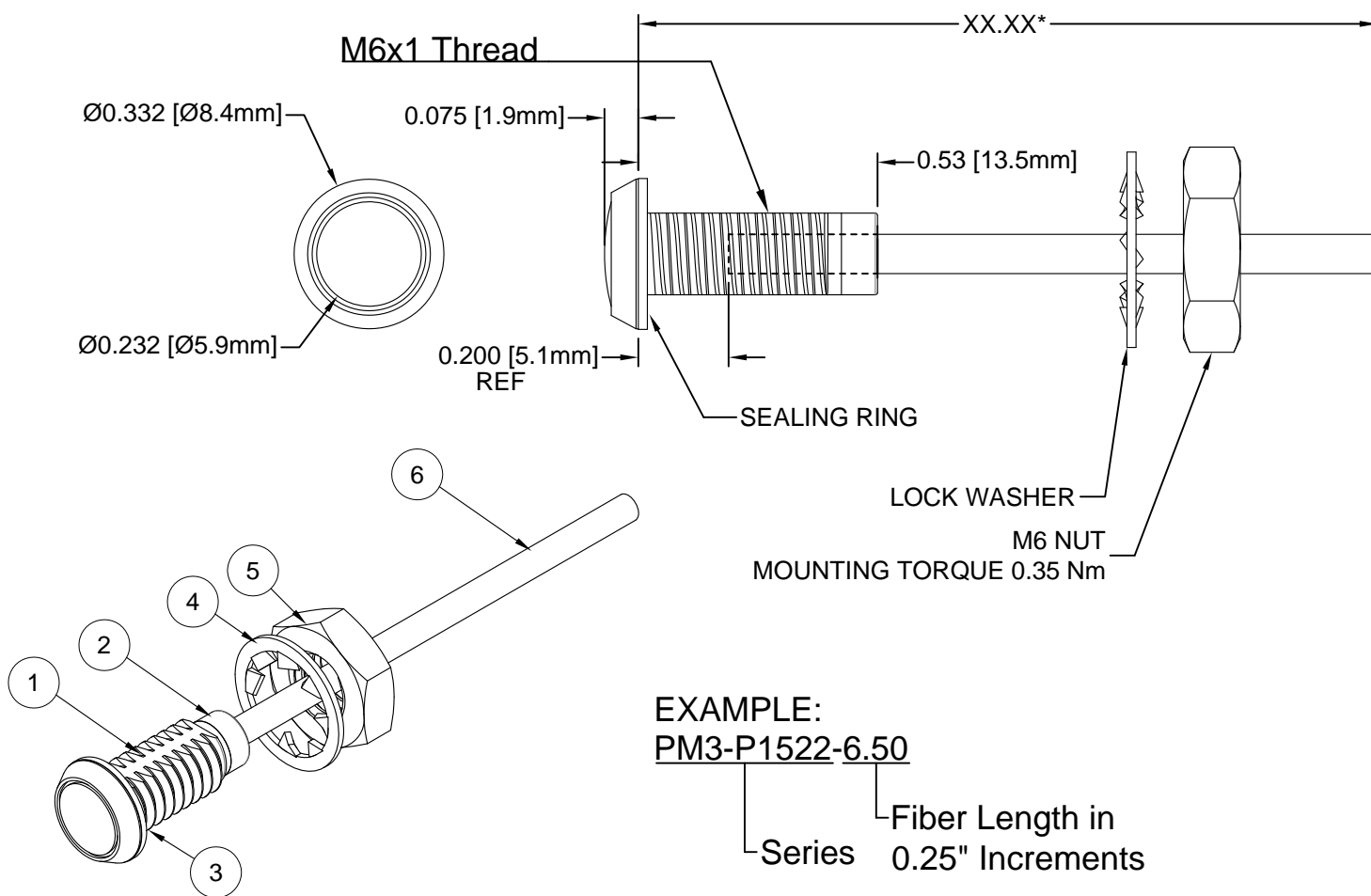


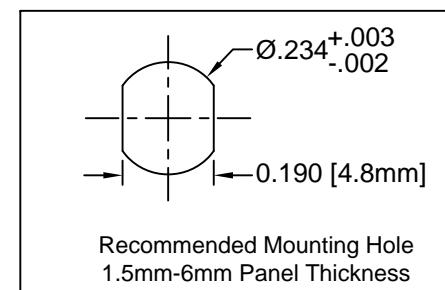
ITEM	Q'TY	PART NUMBER	PART DESCRIPTION
1	1	PM3-PL	3mm Polycarbonate Panel Mount Housing
2	1	PM3-FP22	2.2mm to 3mm Flexible Light Pipe Adapter
3	1	PM3-VS	3mm Sealing Ring
4	1	WASH-1009	M6 Internal Tooth Lock Washer
5	1	NUT-1004	M6x1 Thin Nut
6	1	FLPS1522-X.XXX	1.5mm x 2.2mm Flexible Light Pipe

REV.	DESCRIPTION	DATE	APPROVED
B	Engineering Release	06/19/12	T. Y.
C	Updated Descriptions	03/21/13	T. Y.
D	Corrected Length Call Out & Updated Title	08/23/16	J. C.



*Length "XX.XX"	Tolerance
1.00" ~ 16.00"	±0.05"
16.25" ~ 40.00"	±0.15"
40.25" ~ 80.00"	±0.30"
80.25" ~ 500.0"	±0.5%

EXAMPLE:  
**PM3-P1522-6.50**  
 Series Fiber Length in 0.25" Increments



**NOTES:**

1. SEALED TO IP67 RATING
2. ROHS COMPLIANT
3. MOUNTING HARDWARE SHIPPED NON-ASSEMBLED
4. INSERT SEALING RING ON PANEL MOUNT PRIOR TO PANEL INSERTION

STANDARD TOLERANCE (UNLESS OTHERWISE SPECIFIED)		BIVAR®	
DECIMALS	ANGULAR	4 THOMAS, IRVINE, CA. 92618 TEL: (949) 951-8808 FAX: (949) 951-3974	
.X ±.1	X° ± 1°	<b>TITLE:</b> IP67 Rated Panel Mount Flexible Light Pipe Indicator <b>PART NO:</b> PM3-P1522-XX.XX <b>REVISION:</b> D	
.XX ±.02			
.XXX ±.010		<b>CAGE CODE :</b> 32559 <b>SHEET #</b> 1 OF 1	
DESIGNED: <b>B. Oliver</b>	DATE: <b>04/12/12</b>	CAD GENERATED DOCUMENT. DO NOT MEASURE DRAWING.	
CHECKED: <b>T. Yin</b>	DATE: <b>04/12/12</b>		