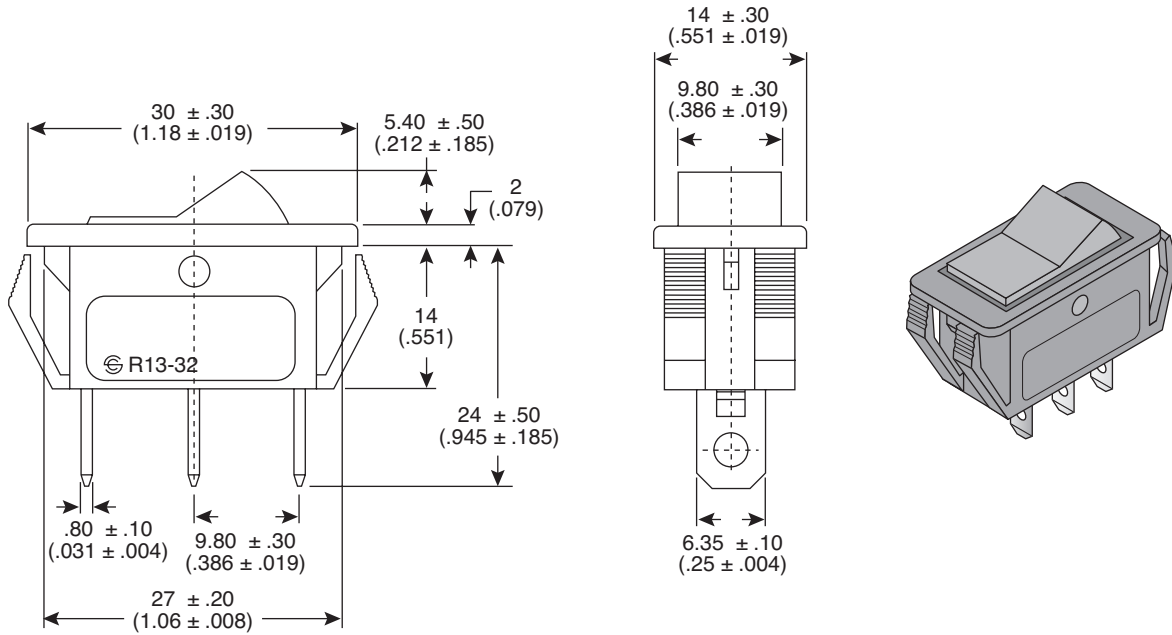


Dimensions: mm (In.)



Mouser Stock No.	Type	Circuit	Button Color
103-7035-EV	2P SPST	ON-OFF	Black
103-7036-EV	3P SPST	ON-OFF (Illuminated)	Red
103-7037-EV	3P SPDT	ON-ON	Black

Electrical Specifications:

- Rating: 10A/125VAC, 6A/250VAC, 10A/12VDC
- Contact Resistance: 50m Ω max.
- Insulation Resistance: 500 VDC 100M Ω min.
- Dielectric Strength: 1000 VAC 1 minute

Mechanical Specifications:

- Neon Lamps (103-7036-EV): 110VAC

Rocker Switches

103-7035-EV, 103-7036-EV, 103-7037-EV

