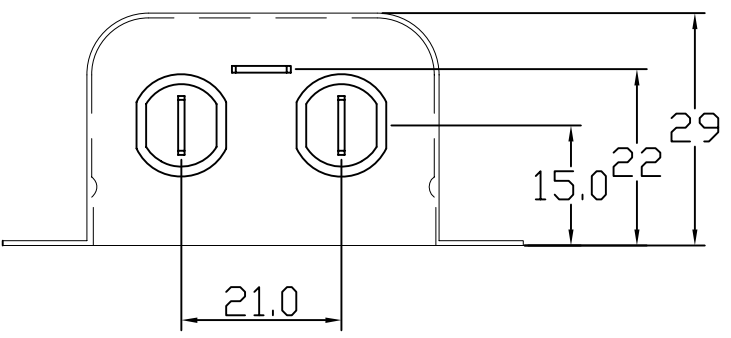
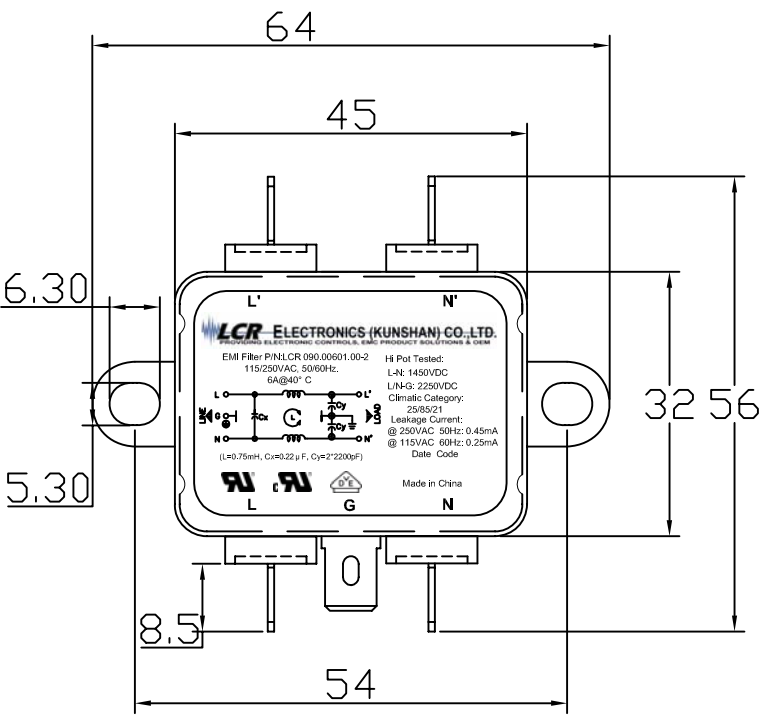
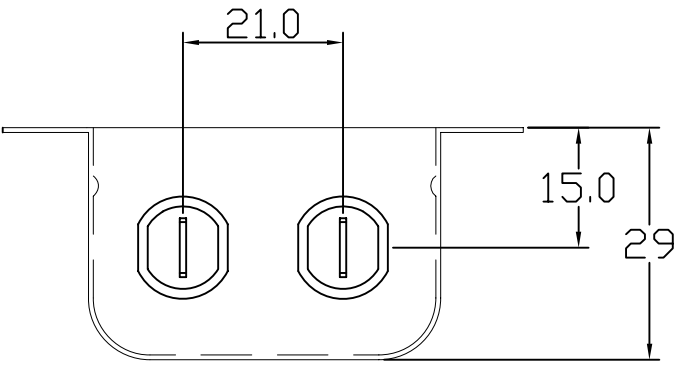


PROPRIETARY STATEMENT
 THIS DRAWING AND RELATED DOCUMENTS ARE PROPRIETARY INFORMATION AND THE SOLE PROPERTY OF LCR ELECTRONICS(KUNSHAN) CO., LTD. AND MAY NOT BE REPRODUCED IN WHOLE OR IN PART WITHOUT THE WRITTEN PERMISSION OF LCR ELECTRONICS(KUNSHAN) CO., LTD.

REVISIONS		DATE	BY
REV	ECN	DESCRIPTION	



- NOTES:
1. EMI FILTER 250VAC 50/60Hz,6A
 2. TERMINAL:BRASS, TIN PLATED, 6.38*0.8mm 5PCS
 3. METAL CAN: CRS NI PLATED.

UNLESS OTHERWISE SPECIFIED		DIM BY		zhujie		03/29/10	
BREAK ALL SHARP EDGES		CHK'D BY					
REMOVE ALL BURRS		APP'D BY					
DIMENSIONS ARE IN mm		SCALE		1/1		CAGE CODE:	
TOLERANCES ARE:		DRAWING No.:		D-090.00601.00-2		REV 1.0	
DEC. = +/-1.0		TITLE:		Outline drawing for EMI filter			
DEC. .XX = +/-0.5		MATERIAL:SEE NOTES					
FRA = +/-0.2		FINISH:SEE NOTES					
THIRD ANGLE PROJECTION		DRAWING No.:		D-090.00601.00-2			
USED ON		Kunshan City,Jiangsu Province,China		LCR ELECTRONICS (KUNSHAN) CO., LTD.		601 Hengchangjing Road.	