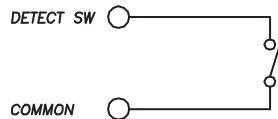
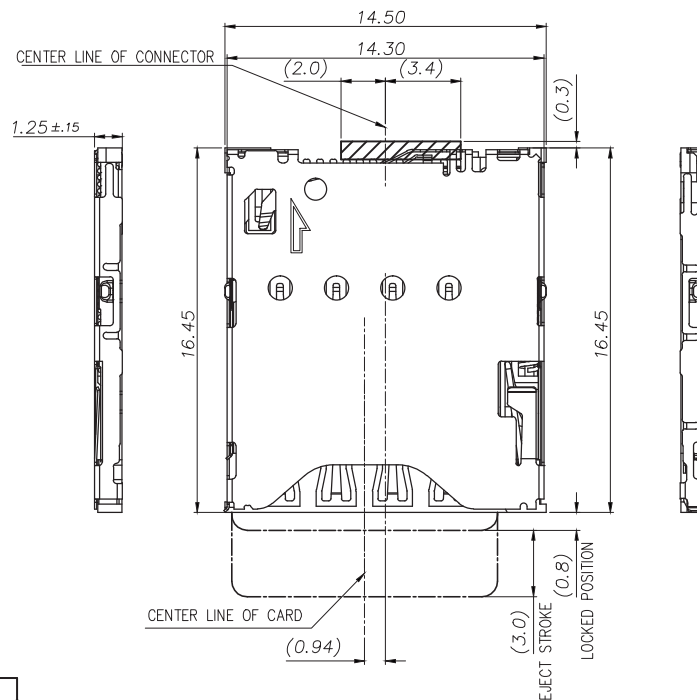
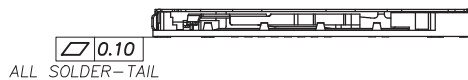
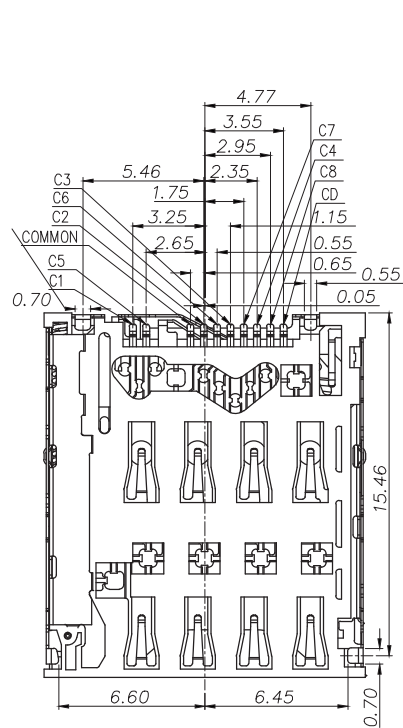


1 2 3 4 5



CIRCUIT DIAGRAM FOR DETECT SWITCH
INSERT CARD=ON

TECHNICAL CHARACTERISTICS

MATERIAL
 INSULATOR: LCP
 FLAMMABILITY RATING: UL94-V0
 COLOR: BLACK
 CONTACT MATERIAL: COPPER ALLOY
 CONTACT TYPE: STAMPED
 CONTACT PLATING: SELECTIVE GOLD
 SHIELDING: STAINLESS STEEL NI PLATED
 QUALITY CLASS: 1500 MATING CYLCES

ENVIRONMENTAL
 OPERATING TEMPERATURE: -25°C UP TO +85°C
 COMPLIANCE: LEAD FREE AND ROHS

ELECTRICAL
 CURRENT RATING: 1.0 A
 WORKING VOLTAGE: 15 VDC
 INSULATION RESISTANCE: >500 MΩ
 WITHSTANDING VOLTAGE: 500 VAC/MIN
 CONTACT RESISTANCE: 100 mΩ MAX

SOLDERING
 JEDEC LEAD FREE REFLOW SOLDERING

PACKAGING
 TAPE & REEL

A
B
C

RoHS Compliant

G			
F			
E			
D			
C	16-DEC-14	DIMENSION	AS
B	02-DEC-14	DIAGRAM	AS
A	27-MAY-14	PDF	AS
REV	DATE	FILE	BY

PROJECTION:	
APPROVAL: NPr	

GENERAL TOLERANCE
.X = +/- 0.3
.XX = +/- 0.20
UNIT: MM
SCALE:
SHEET: 1/4
DRAW: AS

WÜRTH ELEKTRONIK

DESCRIPTION: WR-CRD - MICRO SIM - PUSH & PUSH TYPE - 8 PINS	SIZE A4
WERI PART NO: 693 021 010 811	

D

1 2 3 4 5

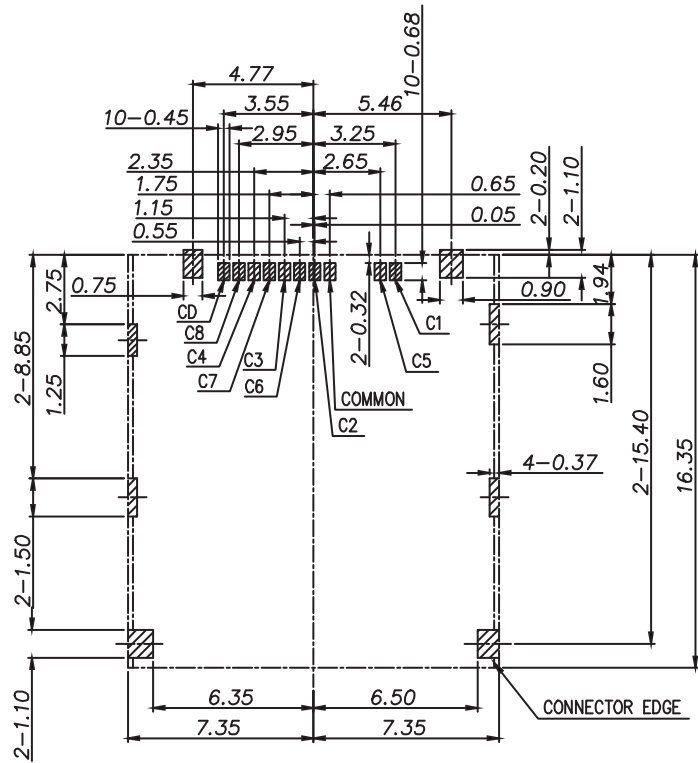
A

B

C

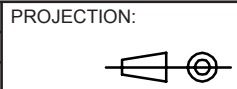
D

PIN NO.	PIN ASSIGNMENT
C1	SUPPLY VOLTAGE(VCC)
C2	RESET(RST)
C3	CLOCK(CLK)
C4	RESERVED FOR FUTURE USE(RFU)
C5	GROUND(GND)
C6	PROGRAMMING VOLTAGE(VPP)
C7	I/O
C8	RESERVED FOR FUTURE USE(RFU)



PCB LAYOUT - COMPONENT VIEW
TOLERANCES ± 0.05 MM

RoHS Compliant			
G			
F			
E			
D			
C	16-DEC-14	DIMENSION	AS
B	02-DEC-14	DIAGRAM	AS
A	27-MAY-14	PDF	AS
REV	DATE	FILE	BY



GENERAL TOLERANCE
.X = ± 0.3
.XX = ± 0.20



APPROVAL: NPr

UNIT: MM
SCALE:
SHEET: 2/4
DRAW: AS

DESCRIPTION: WR-CRD - MICRO SIM - PUSH & PUSH TYPE - 8 PINS
WERI PART NO: 693 021 010 811

SIZE
A4

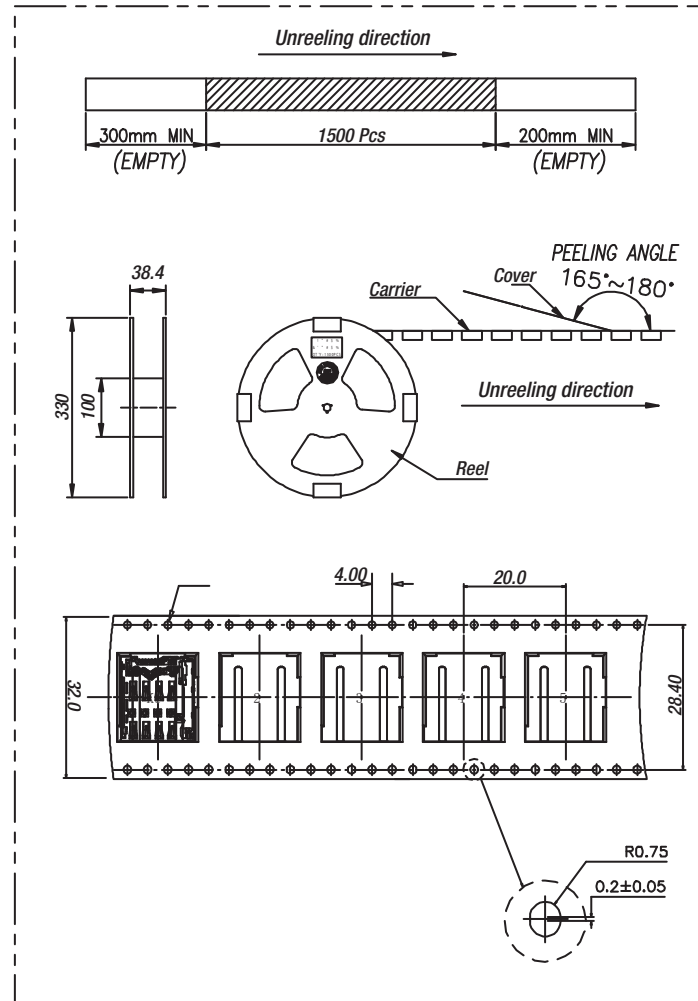
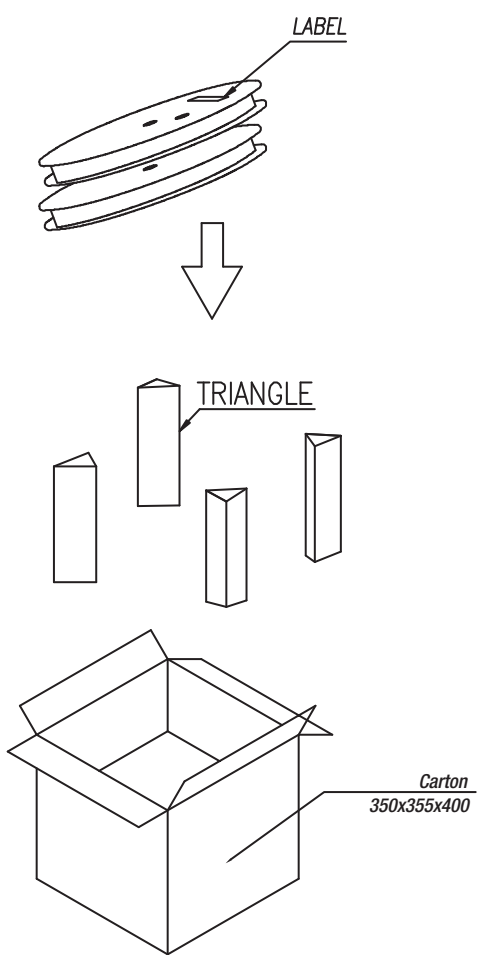
1

2

3

4

5



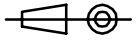

1500 pcs/reel
10 reels/carton
15000pcs/carton

A

B

C

D

RoHS Compliant				PROJECTION: 	GENERAL TOLERANCE .X = +/- 0.2 .XX = +/- 0.15		DESCRIPTION: WR-CRD - MICRO SIM - PUSH & PUSH TYPE - 8 PINS WERI PART NO: 693 021 010 811	SIZE A4
G								
F								
E								
D								
C				APPROVAL: NPr	UNIT: MM	DESCRIPTION: WR-CRD - MICRO SIM - PUSH & PUSH TYPE - 8 PINS		
B					SCALE:	WERI PART NO: 693 021 010 811		
A	23-JUL-14	PDF	AS		SHEET: 3/4			
REV	DATE	FILE	BY		DRAW: AS			

