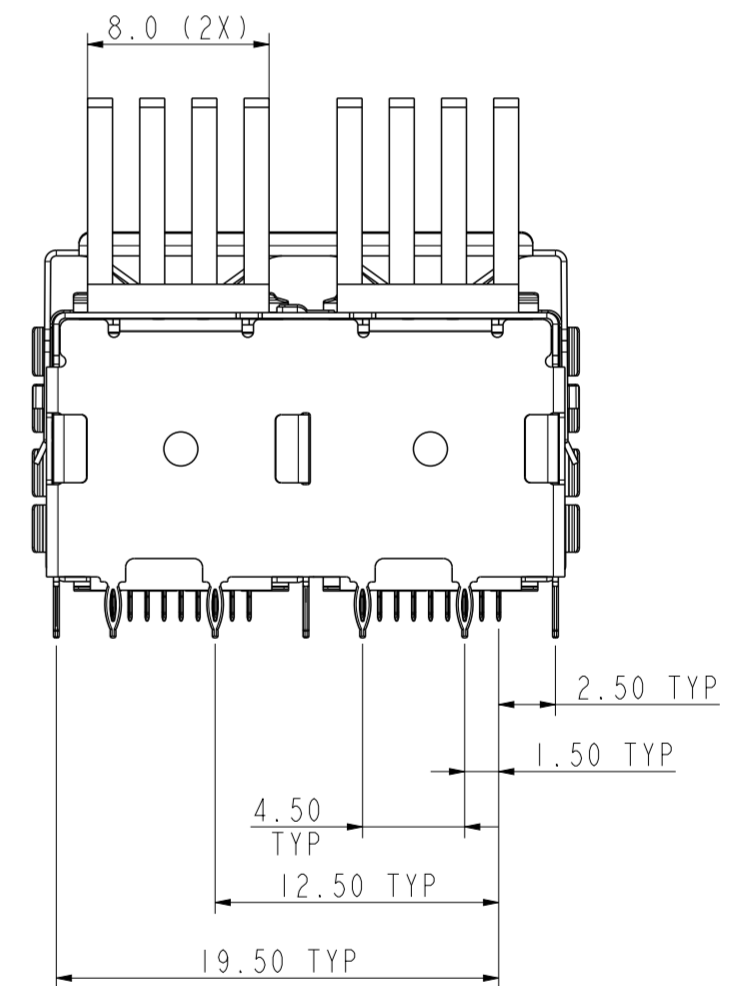
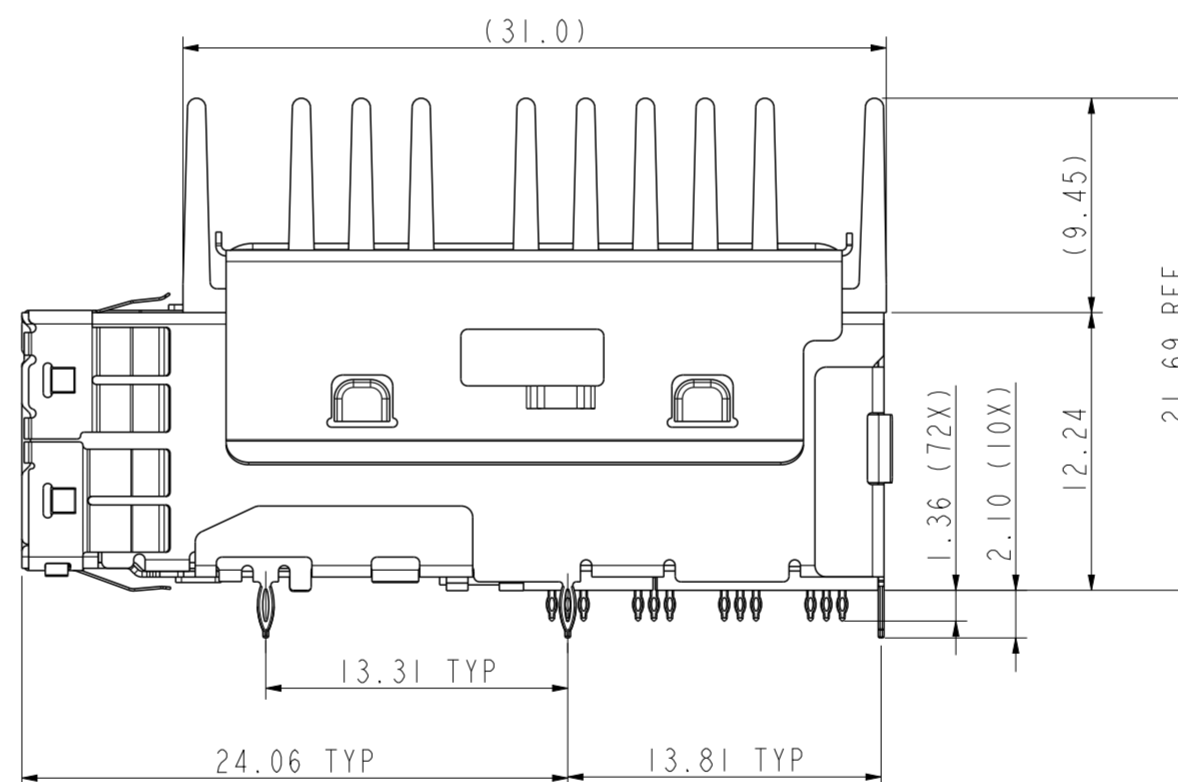
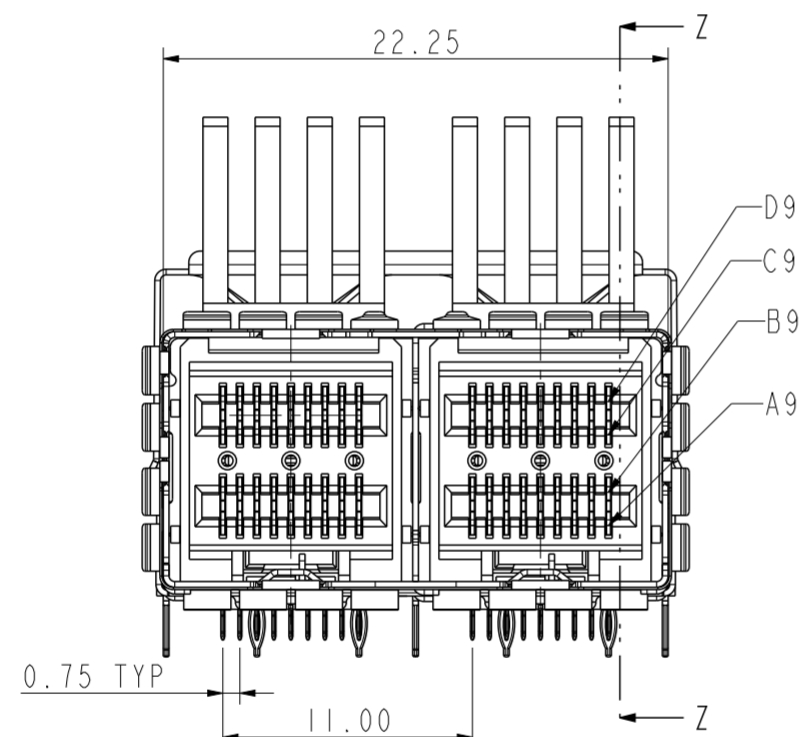
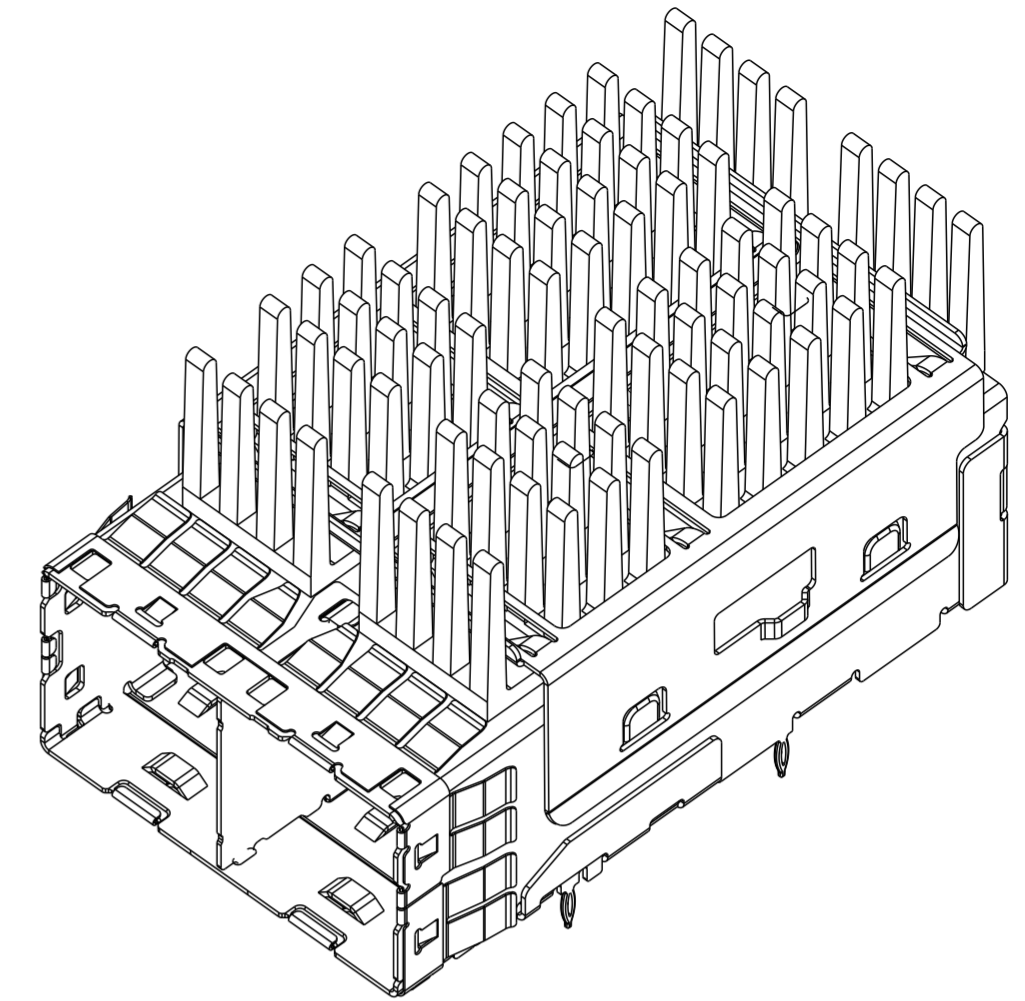
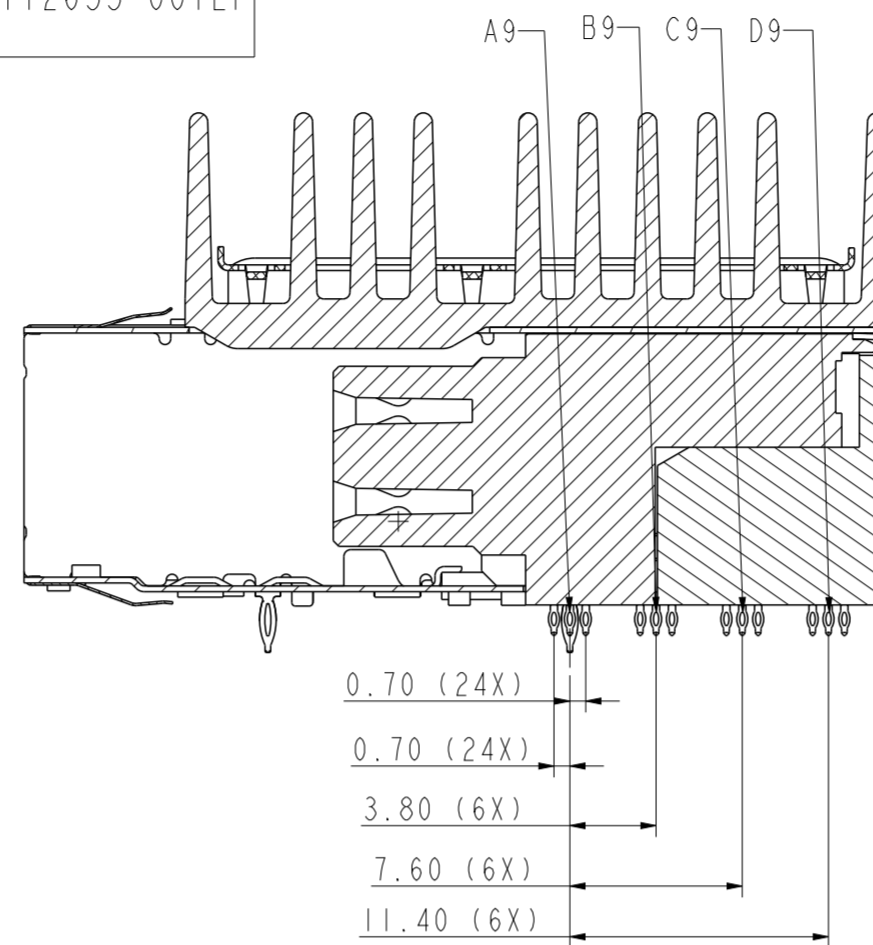
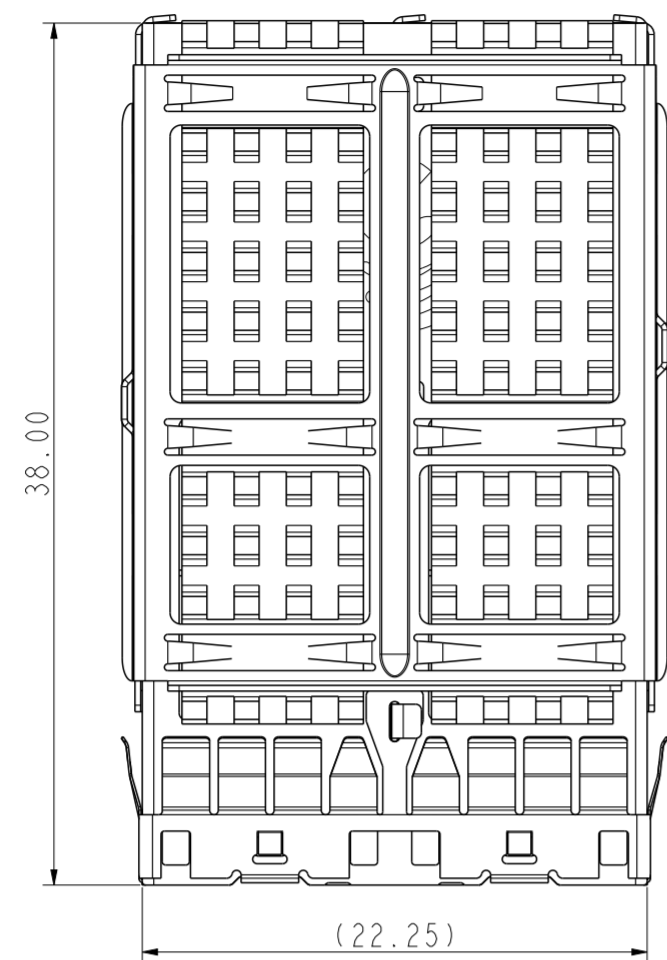


PRODUCT NUMBER	TAIL PLATING OPTION, SEE NOTE 2	1X2 EXTERNAL ASSEMBLY WITH WINDOWS	HEAT SINK MOUNTING CLIP(1X2)	HEAT SINK
10112630-101	OPTION 1	10112627-103	10112656-002LF	10112655-001LF
10112630-101LF	OPTION 2	10112627-103LF		



NOTES:

- MATERIALS:
CONNECTOR HOUSING: HIGH TEMPERATURE THERMOPLASTIC
GLASS FILLED, UL 94V-0
EMI CAGE: NICKEL SILVER ALLOY
EMI FINGERS: COPPER ALLOY
TERMINALS: COPPER ALLOY
HEAT SINK CLIP: STAINLESS STEEL
HEAT SINK: ALUMINIUM ALLOY
- FINISHES:
EMI FINGERS: 0.50um MIN NICKEL
CONTACT AREA: 0.76um MIN GOLD OVER 2.54um MIN NICKEL TAIL AREA:
OPTION 1: 0.76um - 1.52um TIN/LEAD (90/10) OVER 2.54um MIN NICKEL
OPTION 2: 0.76um - 1.52um TIN (LEAD FREE) OVER 2.54um MIN NICKEL
- PRODUCT SPECIFICATION: GS-12-651.
- PRODUCT PACKING SPECIFICATION: GS-14-1490.
EXTERNAL ASSEMBLY WITH WINDOWS WILL BE IN ONE BOX.
HEAT SINK AND HEAT SINK MOUNTING CLIP WILL BE IN EACH ONE BOX.
TOTAL THREE BOXES WILL BE IN A MASTER CARTON.
- APPLICATION SPECIFICATION: GS-20-0327.
- MOUNTING HARDWARE: M2X0.4 BUTTON HEAD SCREW
MOUNTING SCREW LENGTH: BOARD THICKNESS + 1.4mm MAX (0.9mm MIN).
2 REQUIRED PER ASSEMBLY.
MOUNTING HARDWARE NOT SUPPLIED.
- THIS CONNECTOR IS DESIGNED TO MEET THE REQUIREMENTS OF INDUSTRY SPECIFICATION SFF-8644.
- HEAT SINK AND HEAT SINK MOUNTING CLIP FINAL ASSEMBLY AFTER EXTERNAL ASSEMBLY WITH WINDOW APPLIED TO PCB.

MATES WITH MINI-SAS HD ENDS IN:	
10112041 SERIES (4X)	
10117771 SERIES (4X)	
10117946 SERIES (4X)	
10117949 SERIES (4X)	
10117947 SERIES (8X)	
10112359 SERIES (8X)	
10117950 SERIES (8X)	
10117948 SERIES (8X)	

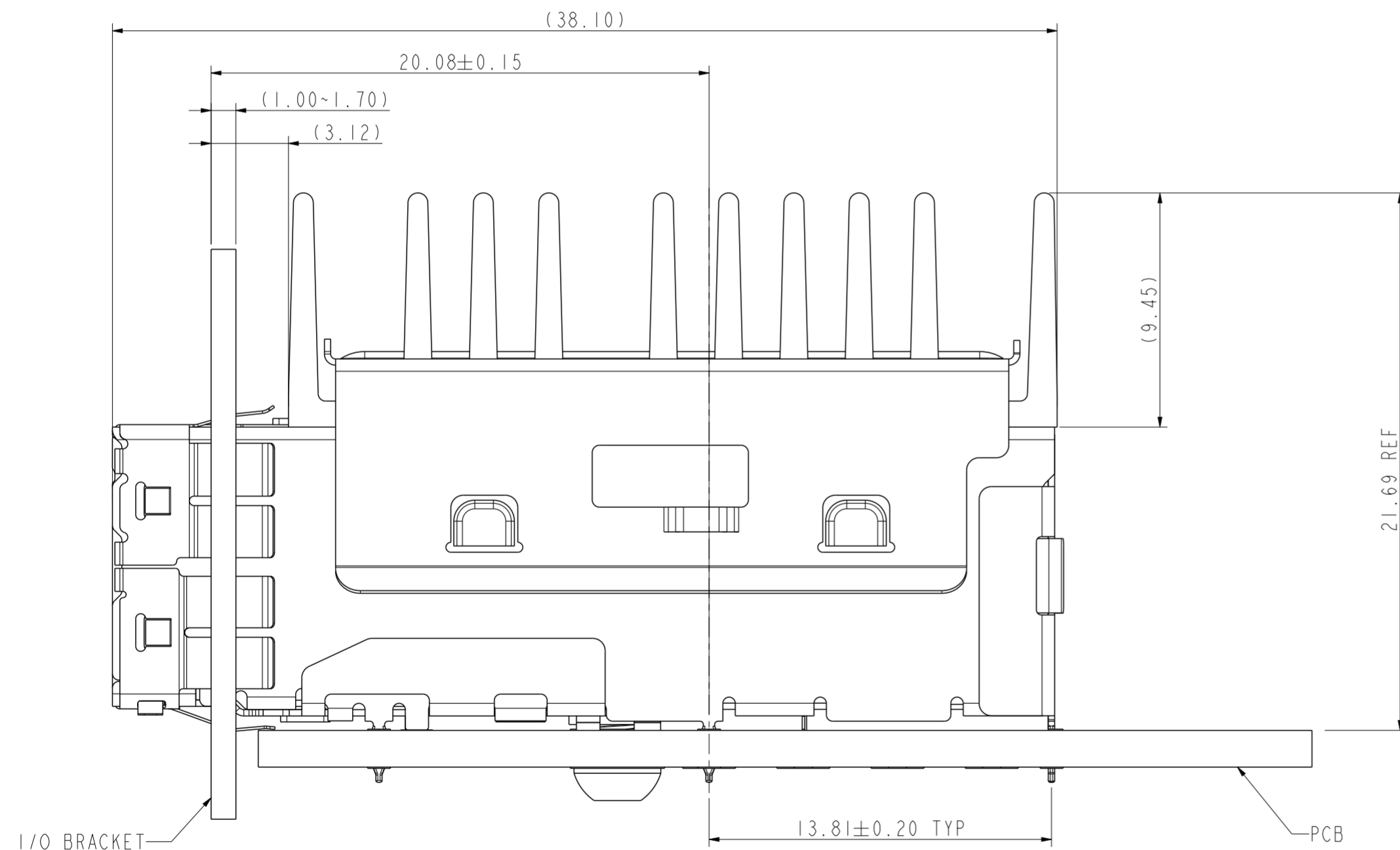
spec ref	-	dr	Qin De-Feng	2012/1/28	projection	MM	size	A2	scale	2.000
tolerance std	ISO 406 ISO 1101	eng	Qin De-Feng	2013/03/11			ecn no	-	rel level	Released
surface	linear	chr	Jon Qin	2013/03/11						
	angular	appr	Pei-Ming Zheng	2013/03/11			cat. no.	10112630	rev	A
ISOA 1302		www.fci.com		Product - Customer Draw		sheet 1 of 6				



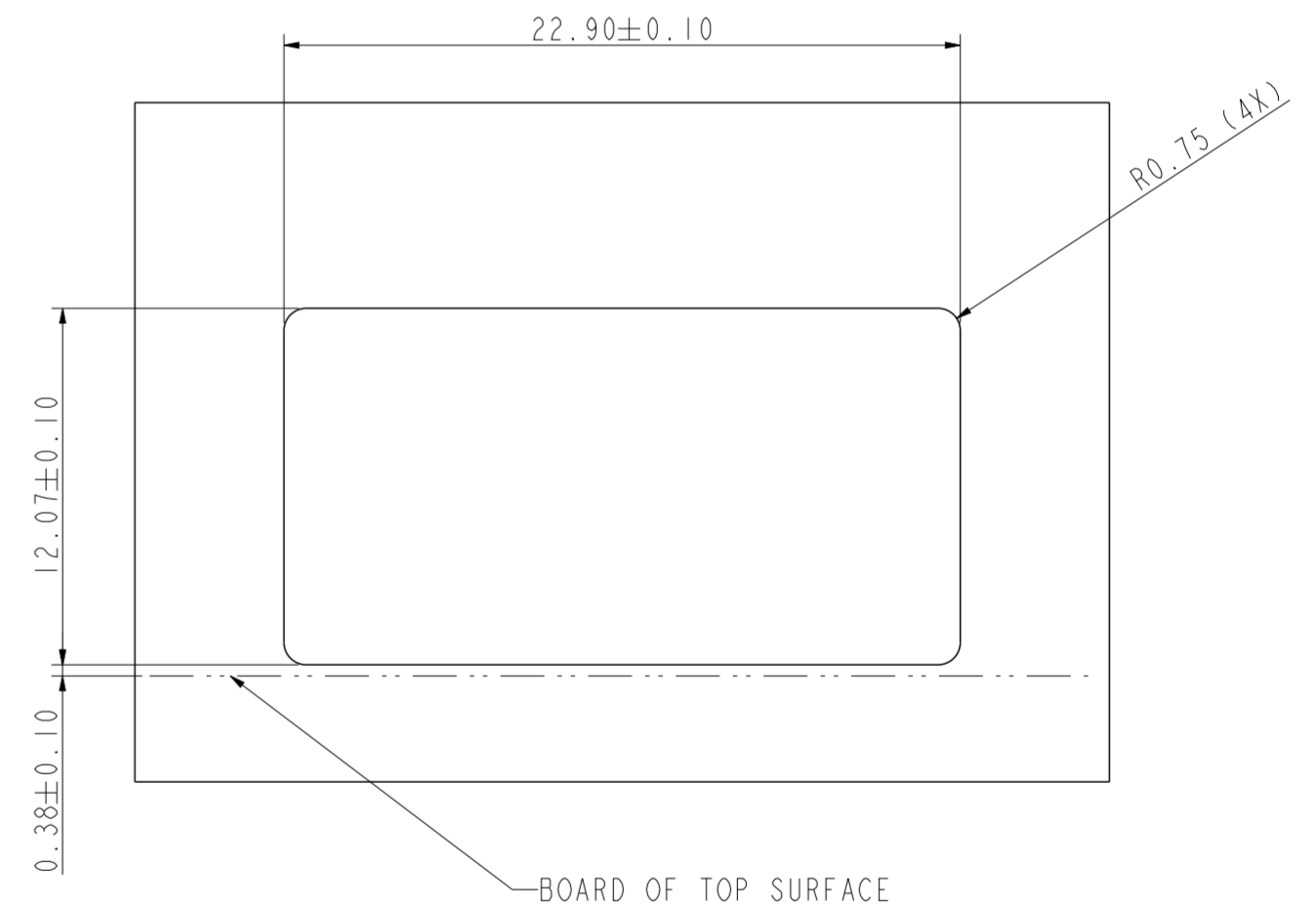
Copyright FCI.

EXTERNAL ASSEMBLY WITH WINDOW APPLIED TO PCB
10112627-103 & 103LF

10112630-101 & 101LF
WITH HEAT SINKS
(HEAT SINK AND HEAT SINK MOUNTING CLIP FINAL ASSEMBLY BY CUSTOMER)



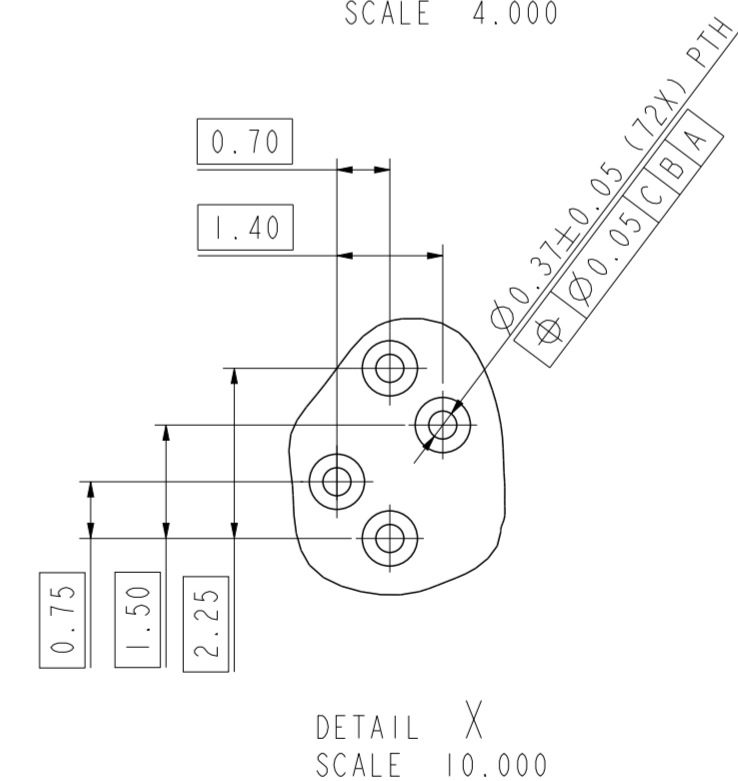
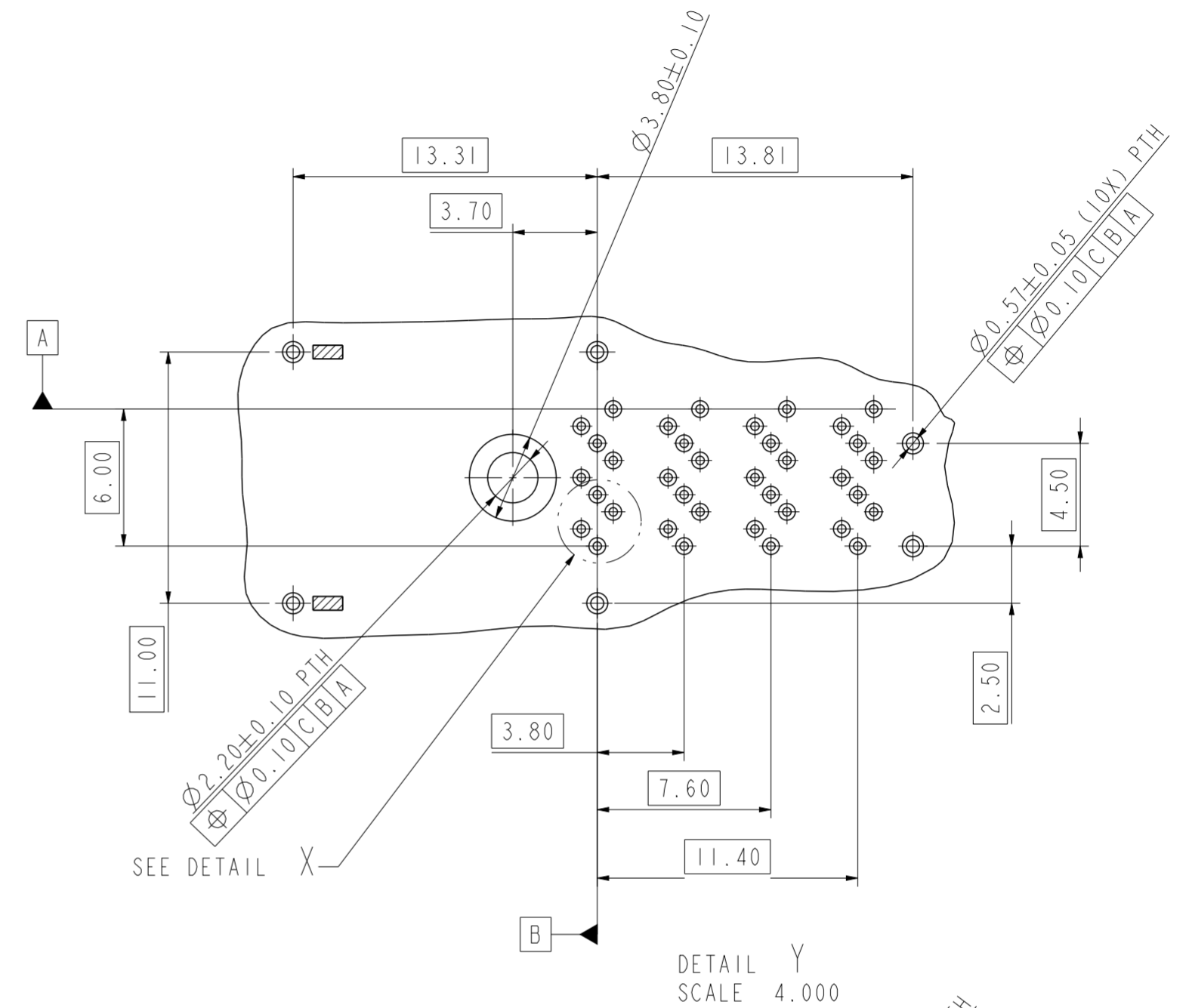
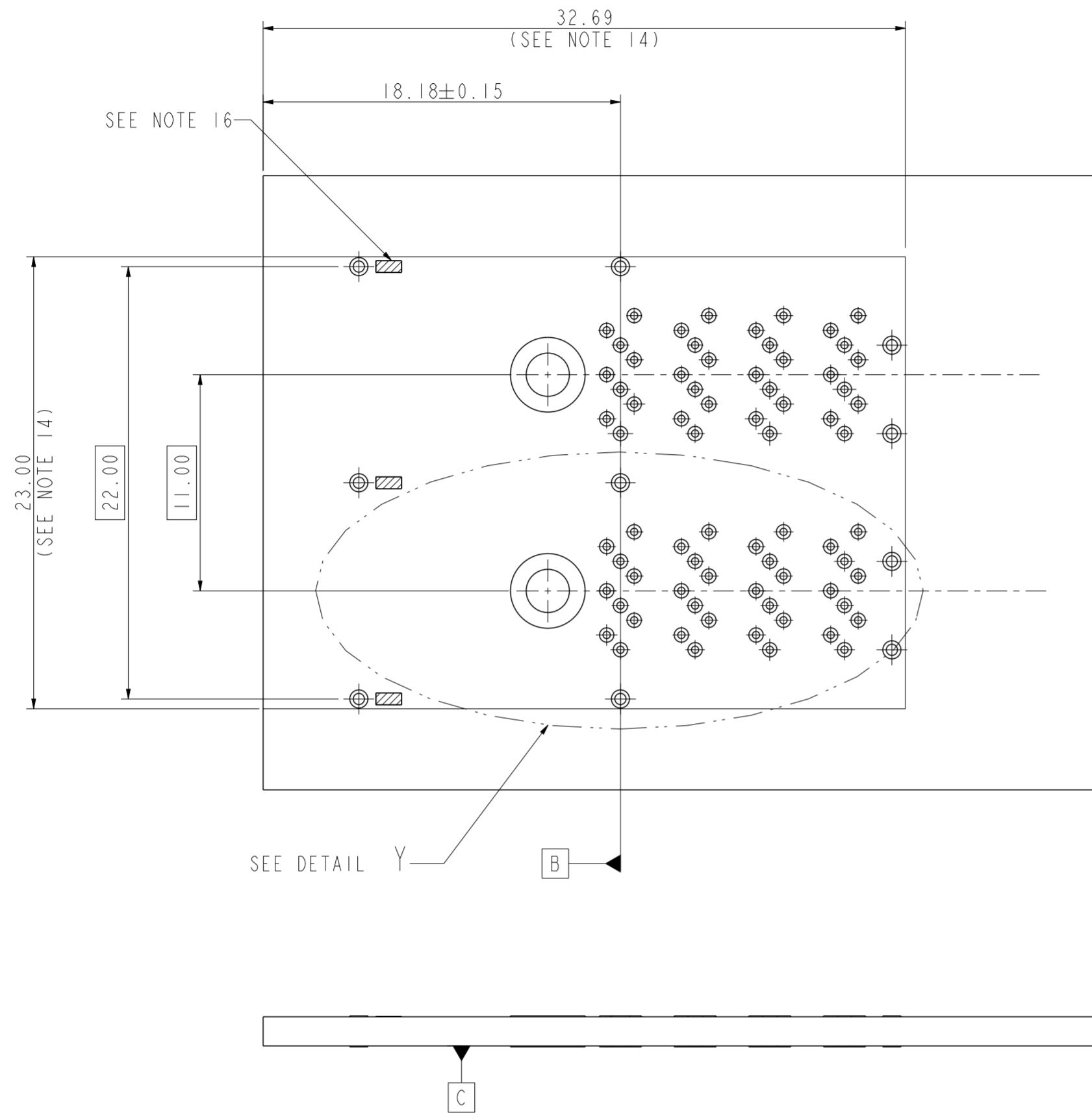
ASSEMBLED VIEW WITH HEAT SINKS
SCALE 5:1



I/O BRACKET CUT OUT
(BRACKET NOT INCLUDED)

SCALE 4.000

spec ref	-	dr	Qin De-Feng	2012/1/28	projection	MM	size	A2	scale	1.000
tolerance std	ISO 406 ISO 1101	eng	Qin De-Feng	2013/03/11			ecn no	-	rel level	Released
TOLERANCES UNLESS OTHERWISE SPECIFIED		chr	Jon Qin	2013/03/11						
surface	ISOA 1302	appr	Pei-Ming Zheng	2013/03/11			cat. no.	10112630	rev	A
linear	0.X ±0.5 0.XX ±0.3 0.XXX ±-	www.fci.com		title		1X2 EXTERNAL ASSEMBLY WITH HEAT SINK MINI-SAS HD		Product - Customer Drw	sheet 2 of 6	
angular	0° ±3°									



RECOMMENDED BOARD LAYOUT
SEE SFF-8644 FOR DETAIL

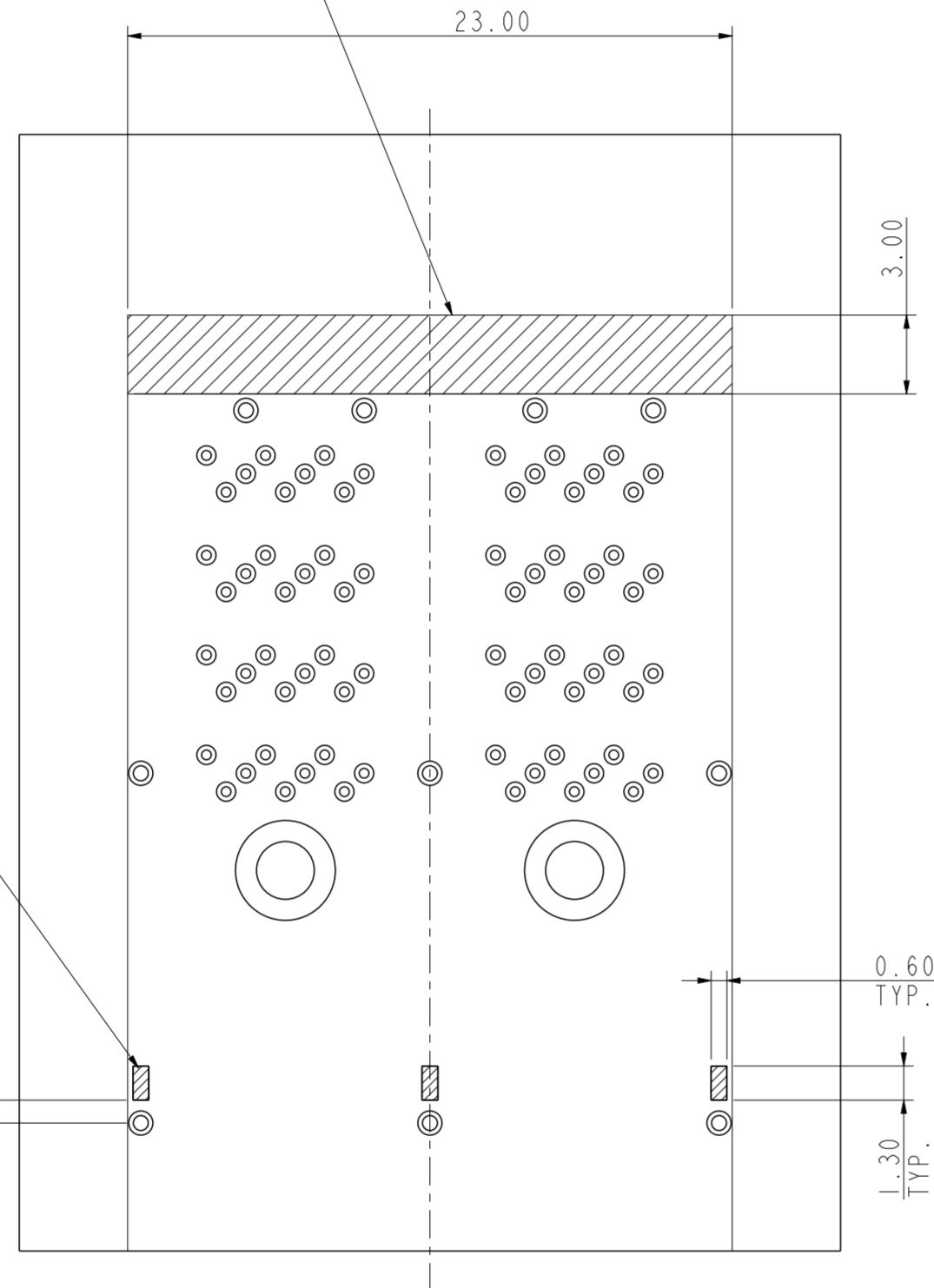
NOTES:

9. RECOMMENDED DRILL SIZE FOR Ø0.37 FINISHED PTH IS Ø0.457.
10. RECOMMENDED ANNULAR RING AROUND Ø0.37 FINISHED PTH IS Ø0.73.
11. RECOMMENDED DRILL SIZE FOR Ø0.57 FINISHED PTH IS Ø0.68.
12. RECOMMENDED ANNULAR RING AROUND Ø0.57 FINISHED PTH IS Ø0.93.
13. MINIMUM RECOMMENDED CENTER TO CENTER SPACING BETWEEN ADJACENT CONNECTORS: 25.00mm.
14. CONNECTOR KEEP OUT AREA.
15. MINIMUM PCB THICKNESS: 1.57mm.
16. CAGE STAND OFF AREA, NO TRACES ON SURFACE OF PCB IN THE AREAS.

spec ref	-	dr	Qin De-Feng	2012/1/28	projection	MM	size	A2	scale	1.000
tolerance std	ISO 406 ISO 1101	eng	Qin De-Feng	2013/03/11			ecn no	-	rel level	Released
TOLERANCES UNLESS OTHERWISE SPECIFIED		chr	Jon Qin	2013/03/11						
surface	ISOA 1302	appr	Pei-Ming Zheng	2013/03/11	product family	MINI-SAS HD	dwg no	10112630	rev	A
linear	0.X ±0.5 0.XX ±0.3 0.XXX ±-	www.fci.com		cat. no.	Product - Customer Drw		sheet 3 of 6			
angular	0° ±3°									

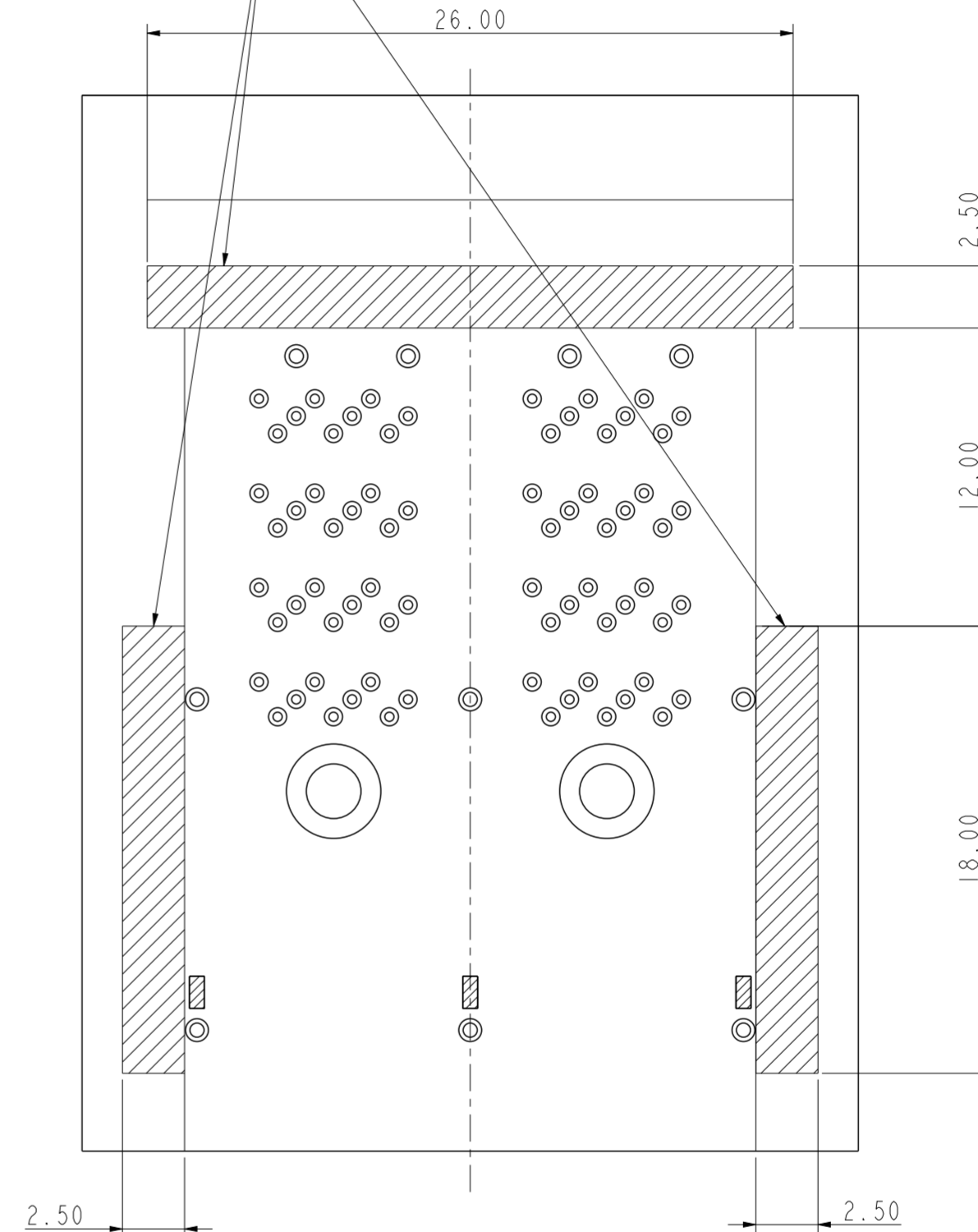
RECOMMENDED KEEP OUT AREAS

RECOMMENDED INSERTION TOOL
KEEP OUT AREA
NO COMPONENTS IN THIS AREA
MORE THAN 7.50mm TALL



CAGE STAND OFF KEEP OUT AREA

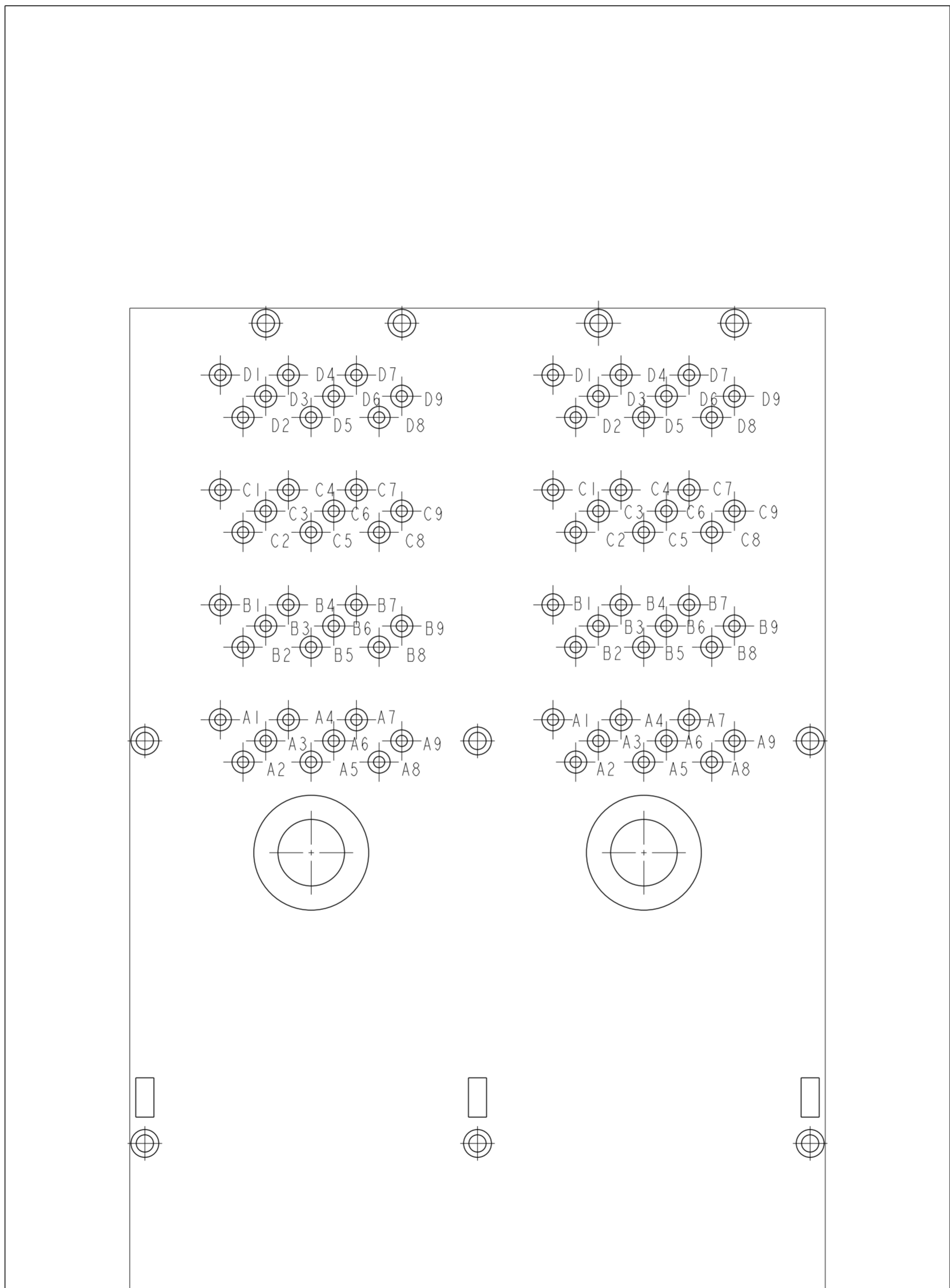
RECOMMENDED EXTRACTION TOOL
KEEP OUT AREA
NO COMPONENTS IN THESE AREAS



Copyright FCI.

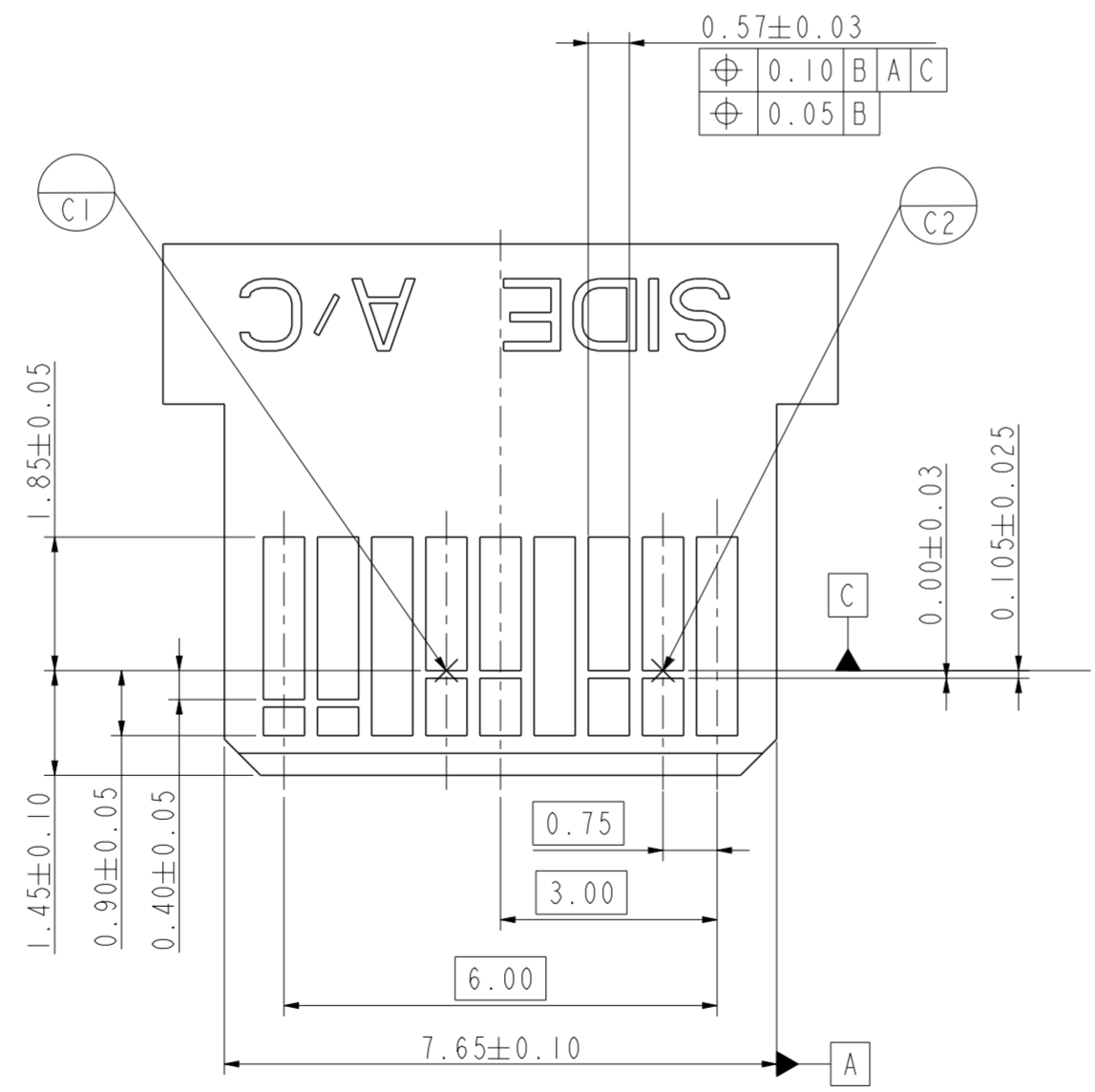
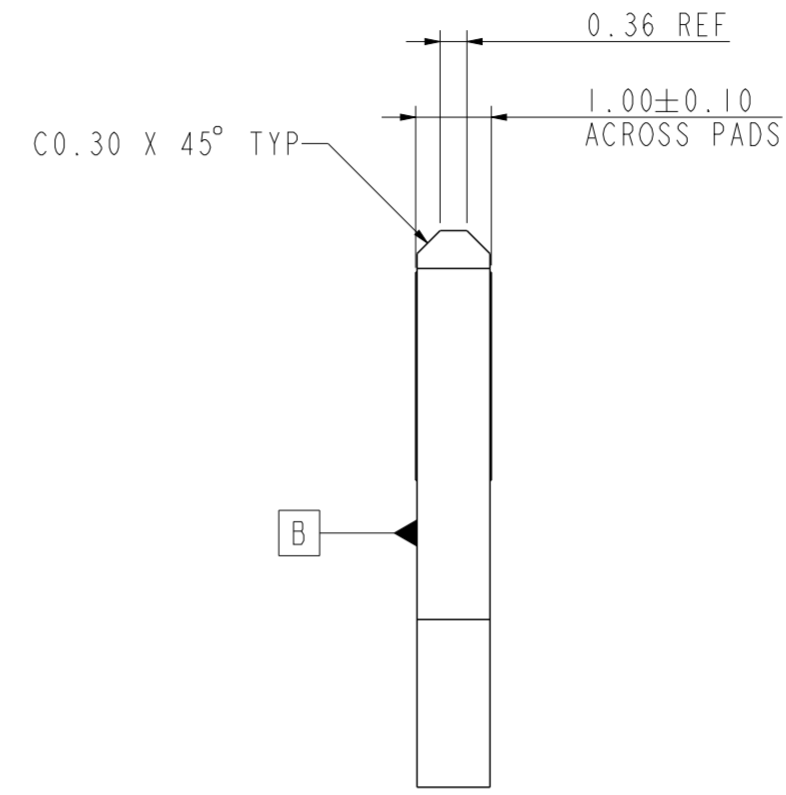
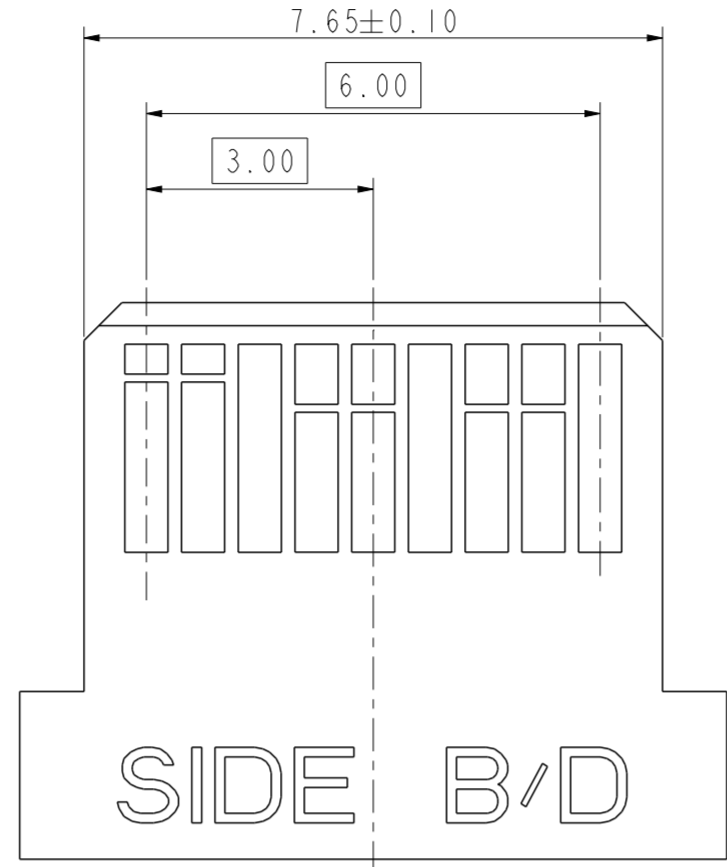
spec ref	-	dr	Qin De-Feng	2012/1/28	projection	MM	size	A2	scale	1.000	
tolerance std	ISO 406 ISO 1101	eng	Qin De-Feng	2013/03/11			ecn no	-	rel level	Released	
TOLERANCES UNLESS OTHERWISE SPECIFIED		chr	Jon Qin	2013/03/11							
surface	ISOA 1302	appr	Pei-Ming Zheng	2013/03/11	product family	MINI-SAS HD	dwg no	10112630	rev	A	
	linear	0.X	±0.5		MINI-SAS HD		Product - Customer Drw		sheet 4 of 6		
		0.XX	±0.3		cat. no.	-		-		-	
	angular	0°	±3°		-		-		-		-

PIN OUT DESIGNATIONS



Copyright FCI.

spec ref	-	dr	Qin De-Feng	2012/1/28	projection	MM	size	A2	scale	1.000
tolerance std	ISO 406 ISO 1101	eng	Qin De-Feng	2013/03/11			ecn no	-	rel level	Released
TOLERANCES UNLESS OTHERWISE SPECIFIED		chr	Jon Qin	2013/03/11						
surface	ISOA 1302	appr	Pei-Ming Zheng	2013/03/11			title	1X2 EXTERNAL ASSEMBLY WITH HEAT SINK MINI-SAS HD	divg no	10112630
					cat. no.	-	Product - Customer Drw	sheet 5 of 6	rev	A



RECOMMENDED PLUG PADDLE CARD
SEE SFF-8644 FOR DETAIL

- NOTES:
- 17. 0.05 MINIMUM KEEP OUT FOR SOLDER MASK AROUND ALL PADS.
 - 18. DATUM C TARGETS ARE DEFINED BY THE RESPECTIVE PAD CENTER LINES AND THE LEADING EDGE OF THE TARGET PADS.

spec ref	-	dr	Qin De-Feng	2012/1/28	projection	MM	size	A2	scale	1.000
tolerance std	ISO 406 ISO 1101	eng	Qin De-Feng	2013/03/11			ecn no	-	rel level	Released
TOLERANCES UNLESS OTHERWISE SPECIFIED		chr	Jon Qin	2013/03/11						
surface	ISOA 1302	appr	Pei-Ming Zheng	2013/03/11	product family	MINI-SAS HD	rel level	Released	divg no	10112630
linear	0.X ±0.5 0.XX ±0.3 0.XXX ±-			title	1X2 EXTERNAL ASSEMBLY WITH HEAT SINK MINI-SAS HD		rev	A	Product - Customer Drw	
angular	0° ±3°	www.fci.com		cat. no.	-		sheet 6 of 6		-	