

4

3

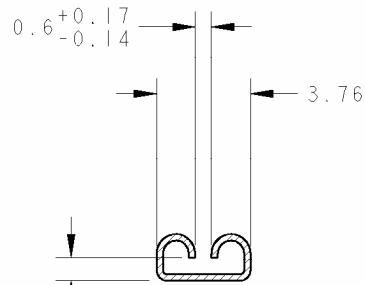
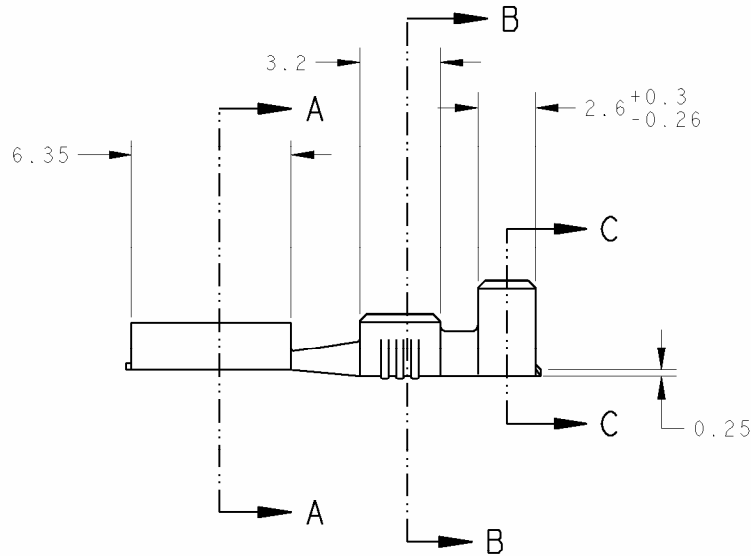
2

1

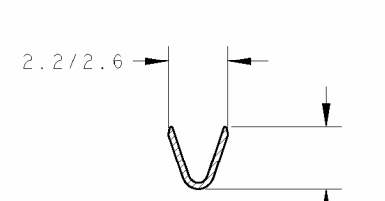
RELEASED FOR PUBLICATION
LIBRE A LA DIFFUSION 20
ALL RIGHTS RESERVED.
TOUS DROITS RESERVES

© COPYRIGHT BY

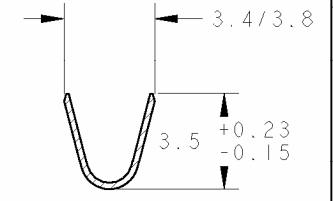
| LOC | | DIST | | REVISIONS | | | |
|-----|---------|---------------------------|-----------|-----------|-----------|--|--|
| P | LTR REV | DESCRIPTION MODIFICATIONS | DATE | DWN DESS. | APVD APP. | | |
| | S3 | REVISED PER ECR-14-014088 | 17NOV2014 | NK | DC | | |



Entre fer pour languette 2.8 x 0.5
(Gap for tab 2.8 x 0.5 series)
COUPE A-A

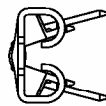
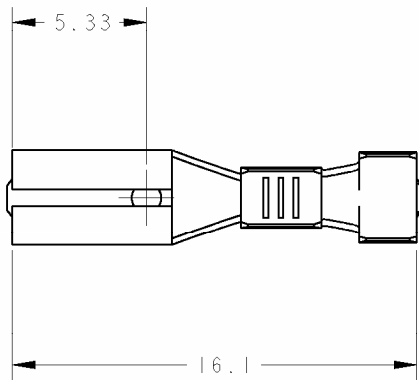


COUPE B-B



COUPE C-C

1 CONTINUOUS STRIP ON REEL: FEED 17.9±0.1
⚠ OBSOLETE.



| | | | | | | | | |
|---|--------------|-------------------------|---------|-----------|---------|-------------------------|---------------------|---------------------|
| ⚠ | 1.5 2.5 | 0.3 1 | 0.5 | DORE | LAITON | 141286-3 | 140719-3 | 140717-4 |
| ⚠ | 1.5 2.5 | 0.3 1 | 0.5 | ARGENTE | LAITON | - | 140719-4 | 140717-3 |
| | 1.5 2.5 | 0.3 1 | 0.5 | PRE-ETAME | LAITON | 141286-2 | 140719-2 | 140717-2 |
| | 1.5 2.5 | 0.3 1 | 0.5 | BRUT | LAITON | 141286-1 | 140719-1 | 140717-1 |
| | DIA. ISOLANT | SECTION mm ² | Ep. TAB | FINITION | MATIERE | REFERENCE VRAC PREFORME | REFERENCE VRAC | REFERENCE |

| | | | | | | | | |
|-------------------------------|--|--|--|--|--|--|--|-------------------------|
| DIMENSIONS: mm | | TOLERANCES UNLESS OTHERWISE SPECIFIED: TOLERANCES NON SPECIFIEES (SUIV NR. DE DECIMALES): 0 PLC /DEC: ± 1 PLC /DEC: ± 2 PLC /DEC: ±0.13 3 PLC /DEC: ± 4 PLC /DEC: ± ANGLES: ± | | DWN/DESSINE 27MAR2001 C. COMBEDOUZON CHK/VERIFIE 02APR2001 V. FONDREVELLE APVD/APPROUVE 02APR2001 G. ROBERT | | TE Connectivity | | |
| MATERIAL /MATIERE v. table | | FINISH /FINITION v. table | | APPLICATION SPEC SPEC. APPLICATION 114-35000 | | NAME TITRE 110 SERIES FASTON RECEPTACLE | | RESTRICTED TO RESERVE A |
| | | | | WEIGHT MASSE APPROX. - | | SIZE FORMAT A3 CAGE CODE 00779 DRAWING NO No PLAN C-140717 | | REV S3 |
| CUSTOMER DRAWING /PLAN CLIENT | | | | UNIQUEMENT POUR REFERENCE | | SCALE ECHELLE 5:1 | | SHEET FEUILLE OF DE REV |