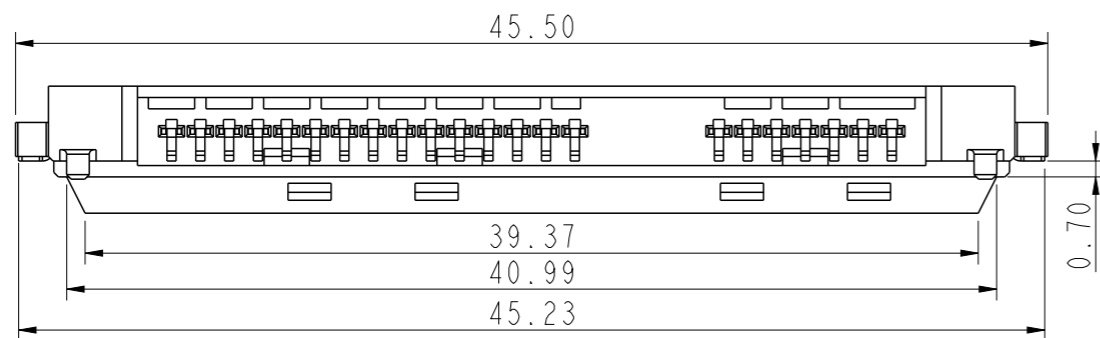
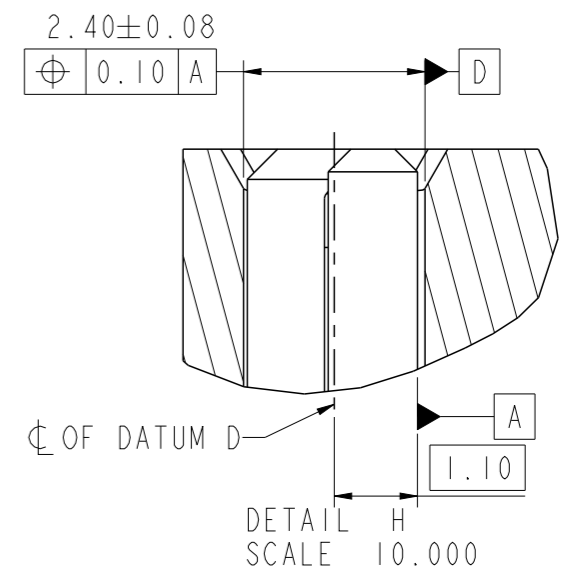
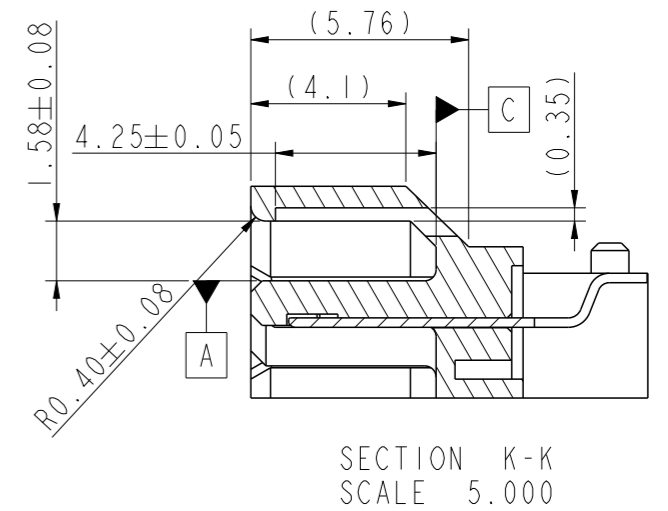
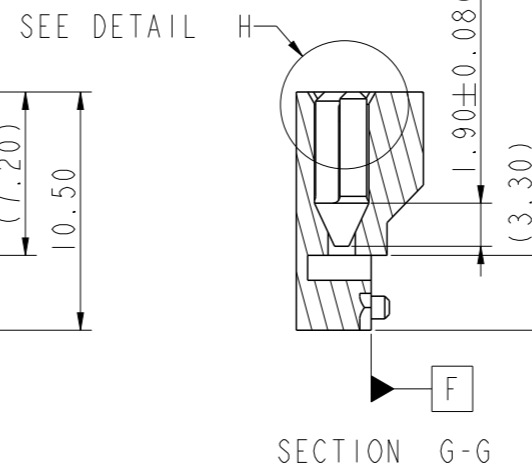
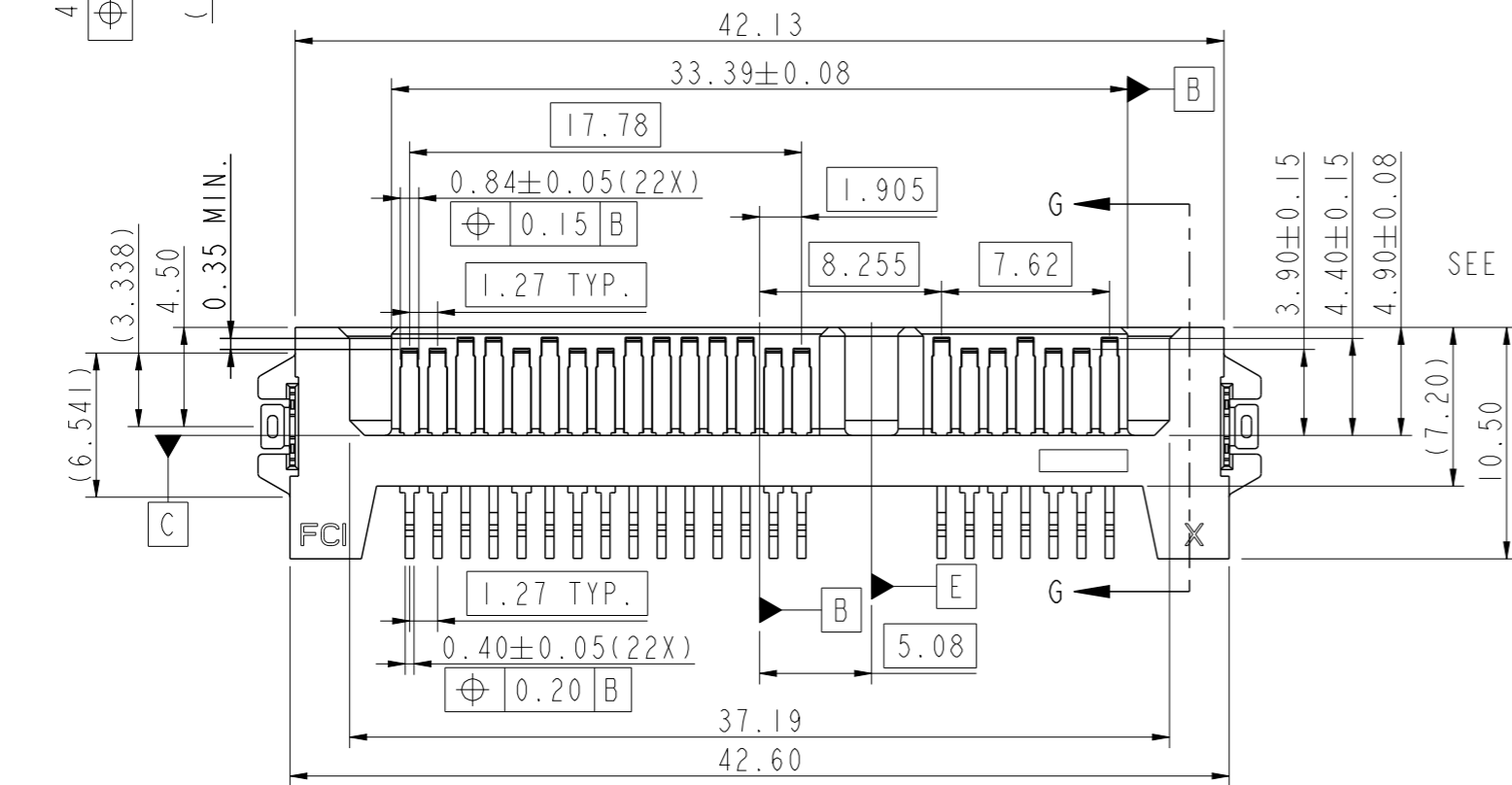
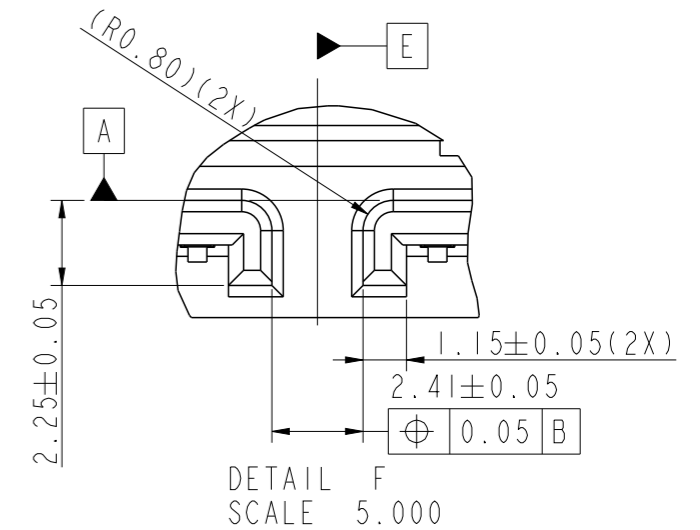
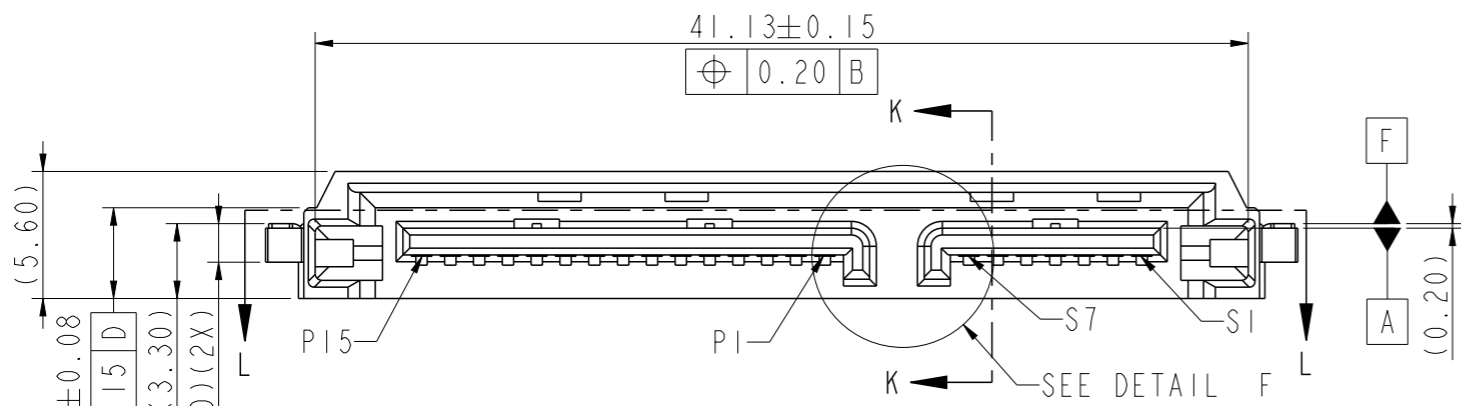


PRODUCT NO.
10101788-002CLF
10101788-003C-TRLF



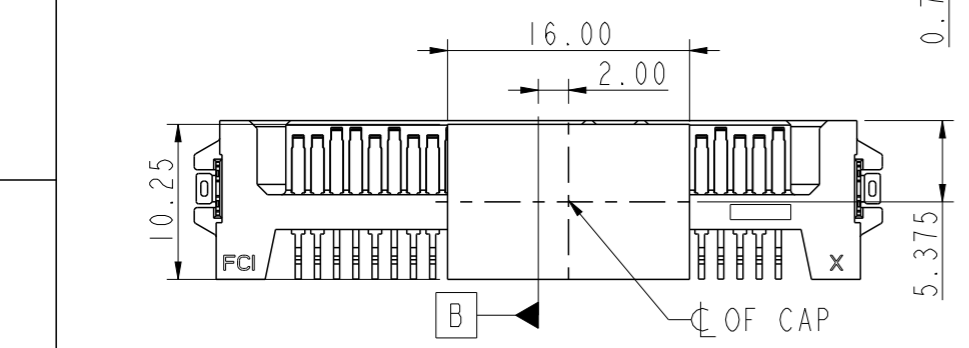
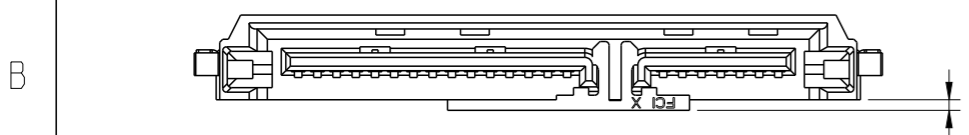
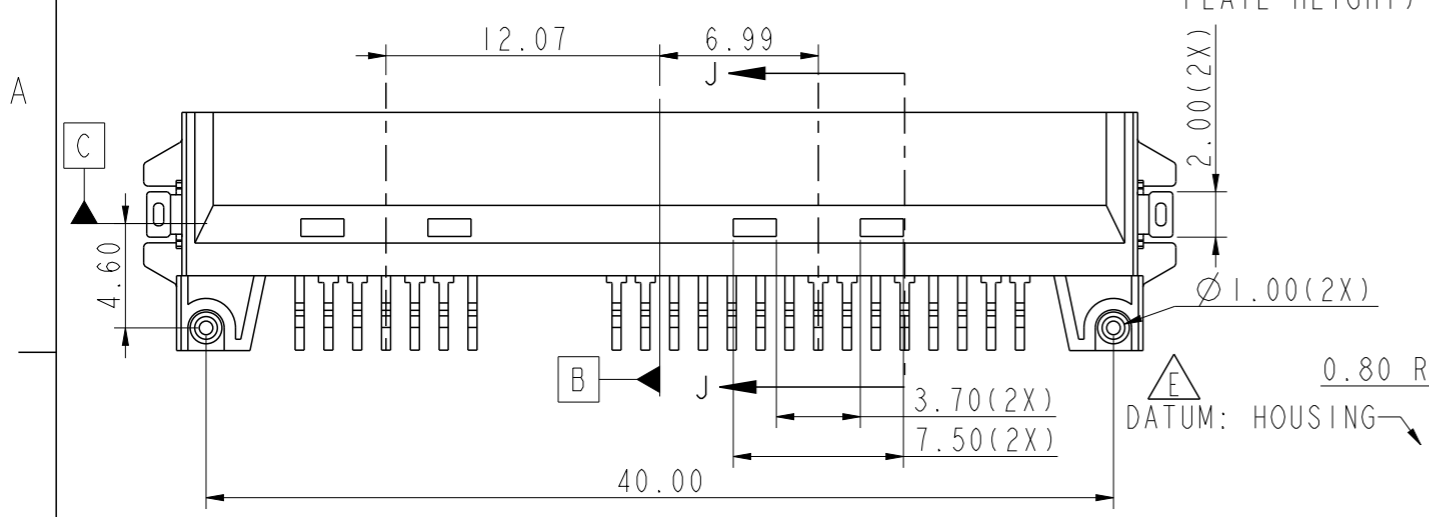
spec ref	dr	Jeffrey Lim	2012/07/23
tolerance std	eng	Jeffrey Lim	2013/05/15
ASME Y14.5	chr	-	-
	appr	Chen-Hong Tan	2013/05/15
surface	linear	0.X	±0.25
		0.XX	±0.15
		0.XXX	±0.050
	angular	0°	±2°

projection	MM	size	A3	scale	3.000
product family		ecn no	ELX-S-14760-1		
		rel level	Released		
title	SATA PLUG R/A		dwg no	10101788	rev
	TYPE ASSY				E
www.fci.com	cat. no.	Product - Customer Drw	sheet 1 of 2		

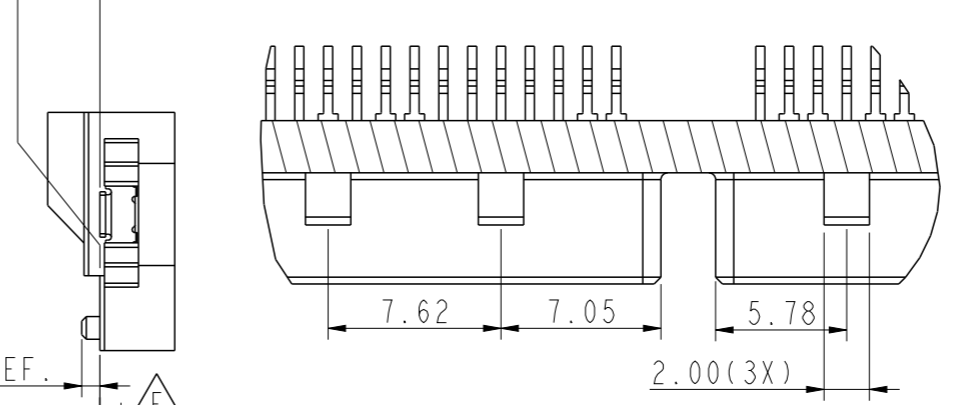


Copyright FCI.

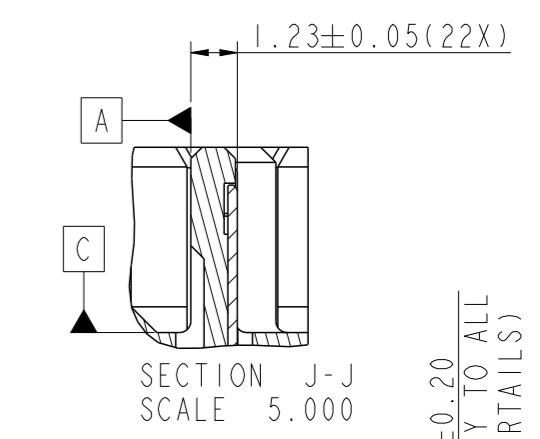
PRODUCT NO.	WITH PICK-UP CAP	PACKAGING
10101788-002CLF	YES	TAPE & REEL
10101788-003C-TRLF		



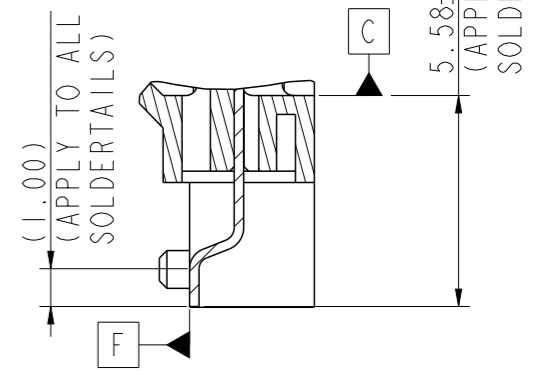
SCALE 2.000
WITH PICK-UP CAP ATTACHED



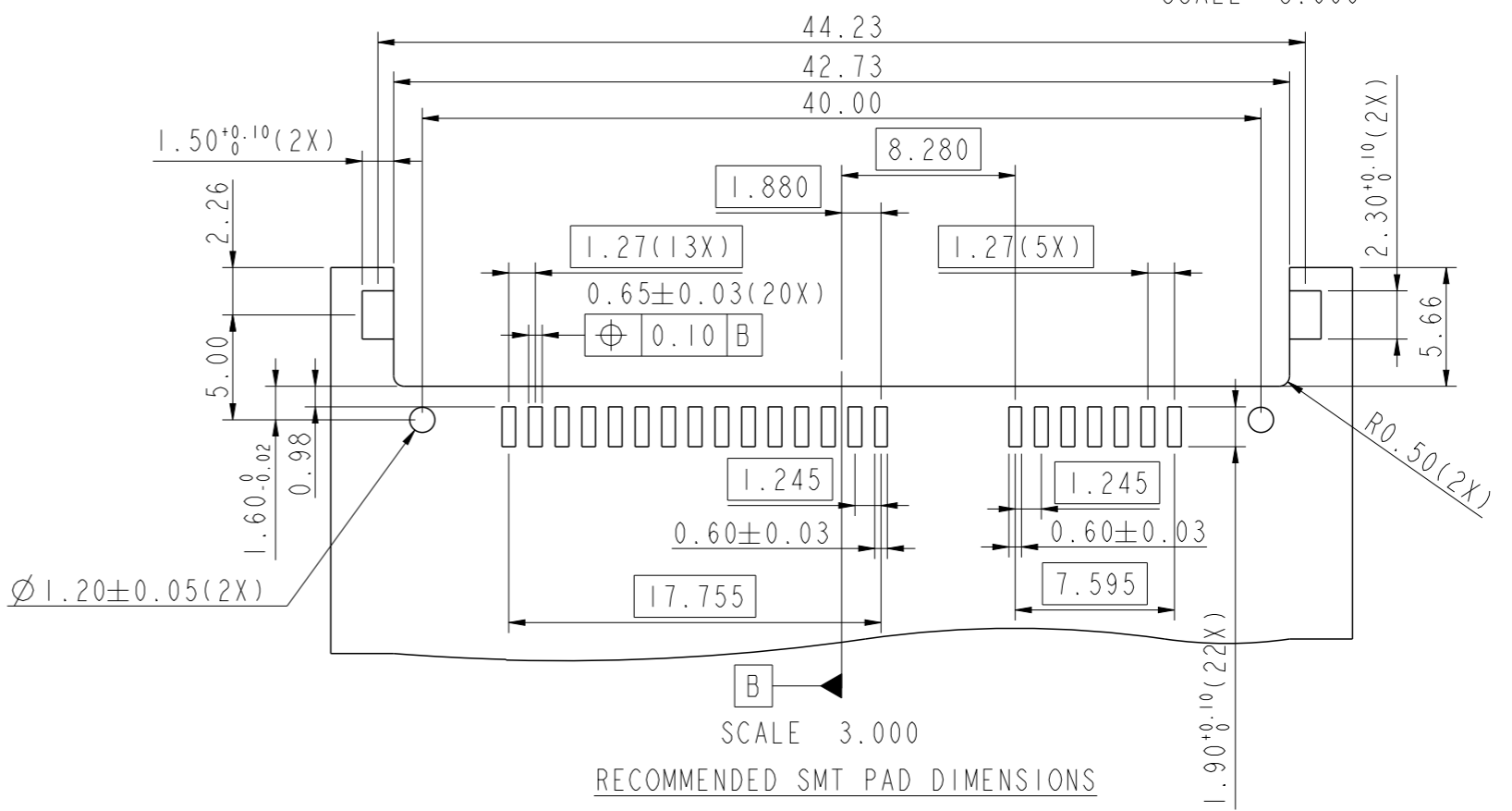
SECTION L-L



SECTION J-J
SCALE 5.000



SECTION J-J
SCALE 5.000



SCALE 3.000
RECOMMENDED SMT PAD DIMENSIONS

- NOTES:
- MATERIAL:
HOUSING & CAP: HIGH TEMPERATURE THERMOPLASTIC, BLACK, UL94V-0
CONTACT & HOLD DOWN: COPPER ALLOY
 - FINISH:
CONTACT: 1.27um MIN. Ni. UNDERPLATE OVERALL,
1.91um MIN. 100% MATTE Sn(LEAD-FREE) ON SOLDERTAIL,
0.76um MIN. Au ON CONTACT AREA
HOLD DOWN: 1.91um MIN. 100% MATTE Sn(LEAD-FREE) OVER
1.27um MIN. Ni UNDERPLATE OVERALL
 - RECOMMENDED PCB THICKNESS: 1.00mm
 - PRODUCT SPECIFICATION: GS-12-194
 - PACKAGING SPECIFICATION: GS-14-1038
 - THIS PRODUCT MEETS EUROPEAN UNION DIRECTIVES AND OTHER COUNTRY REGULATIONS AS DESCRIBED IN GS-47-0004
 - THE HOUSING WILL WITHSTAND EXPOSURE TO 260°C PEAK TEMPERATURE FOR 10 SECONDS IN A CONVECTION, INFRA-RED OR VAPOR PHASE REFLOW OVEN
 - A SYMBOL \triangle WILL BE NEXT TO ANY DIMENSION, VIEW, OR NOTE WHICH HAS BEEN MODIFIED WITH THE CURRENT DRAWING REVISION

spec ref	dr	Jeffrey Lim	2012/07/23	projection	MM	size	A3	scale	3.000
tolerance std	eng	Jeffrey Lim	2013/05/15			ecn no	ELX-S-14760-1	rel level	Released
ASME Y14.5	chr	-	-						
surface				product family		dwg no	10101788	rev	E
				SATA PLUG R/A					
				TYPE ASSY					
linear	0.X	±0.25	www.fci.com	cat. no.	Product - Customer Drw	sheet 2 of 2			
	0.XX	±0.15							
	0.XXX	±0.050							
angular	0°	±2°							

Copyright FCI.