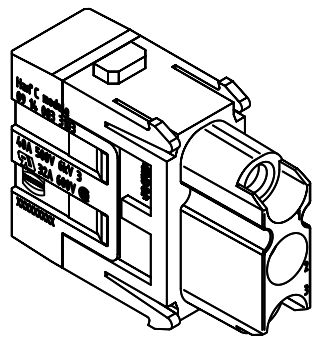
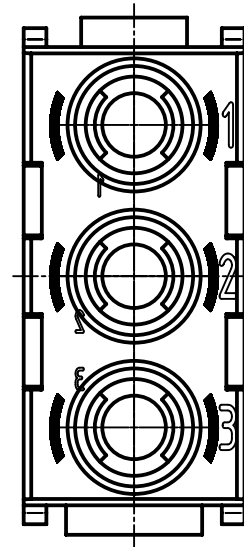
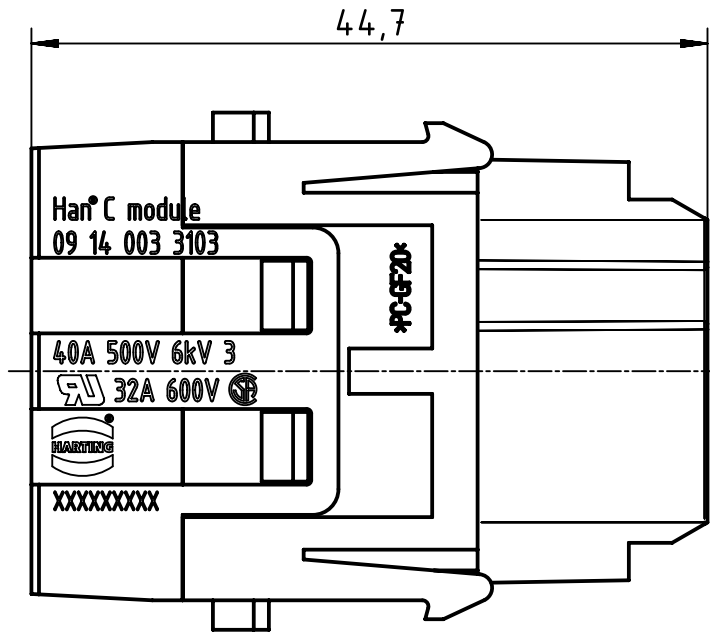
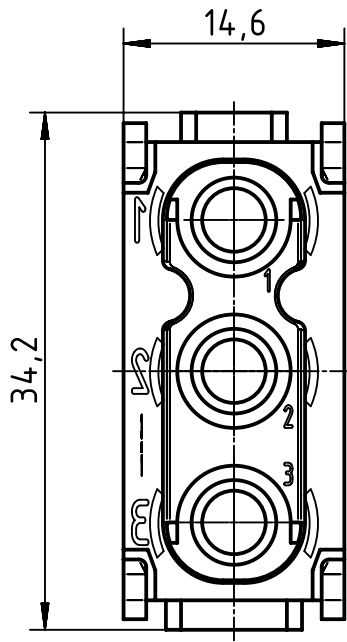


A

B

C

D



outer diameter of wire up to 7,5mm
 18mm stripping length for wire diameter \geq 5mm

	All Dimensions in mm Original Size DIN A4	Scale 2:1		Free size tol.		Ref.	
						Sub.	
	All rights reserved Department EL PD - DE	Created by HOLLERT	Inspected by RIEPE	Standardisation SCHMIDTM	Date 2015-01-27	State Final Release	
		Title Han 3Mod-F-c 40A					Doc-Key / ECM-Nr. 100610180/UGD/001/A 500000084149
HARTING Electric GmbH & Co. KG D-32339 Espelkamp		Type TB	Number 09 14 003 3103			Rev. A	Page 1/1

Mouser Electronics

Authorized Distributor

Click to View Pricing, Inventory, Delivery & Lifecycle Information:

[HARTING:](#)

[09140033103](#)