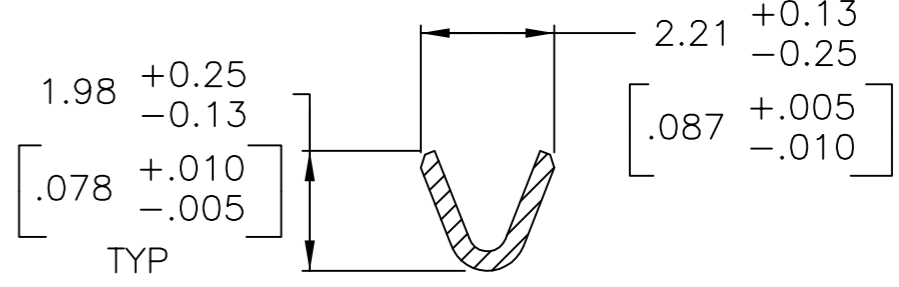
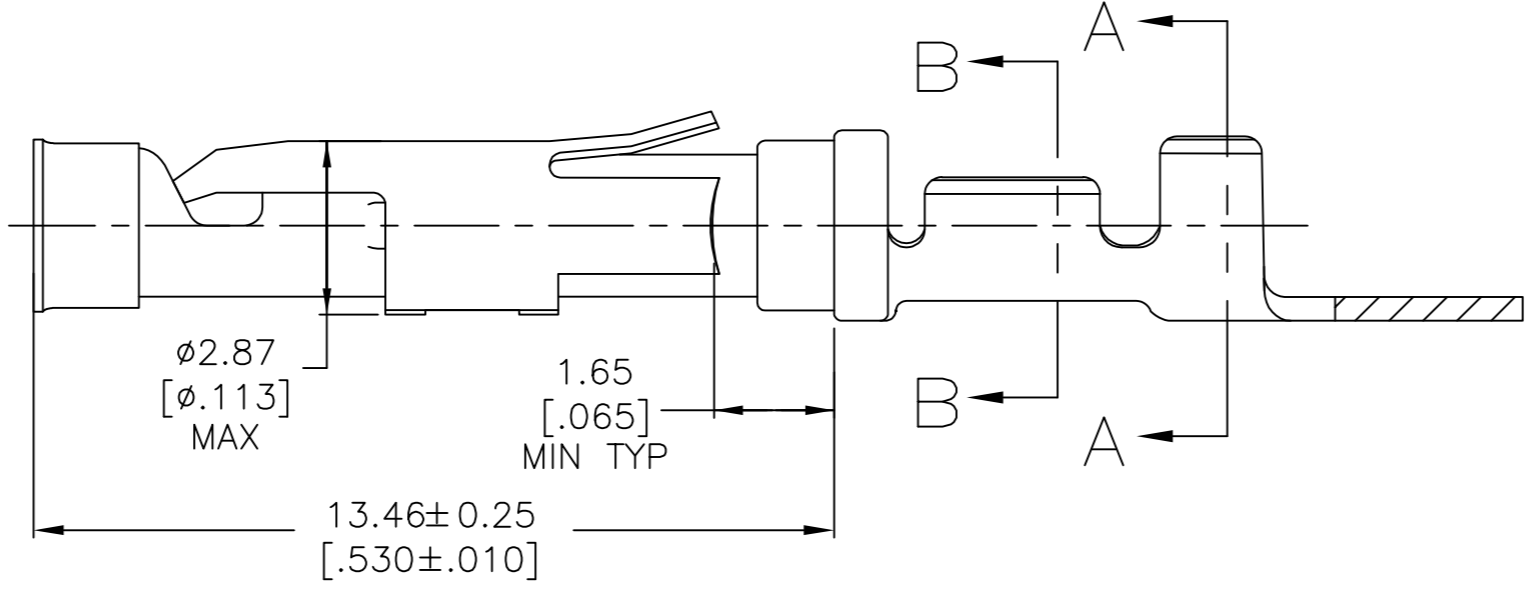
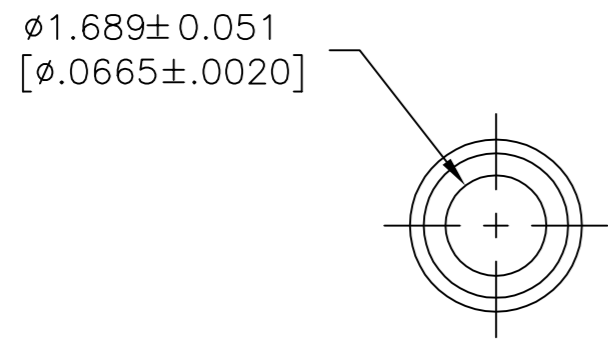
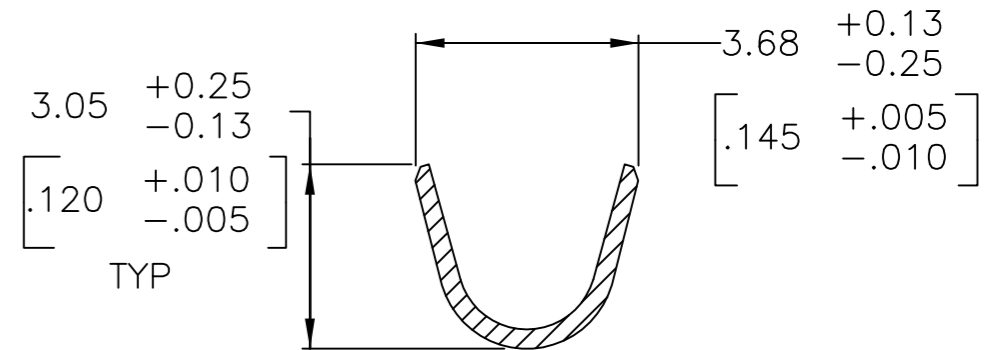
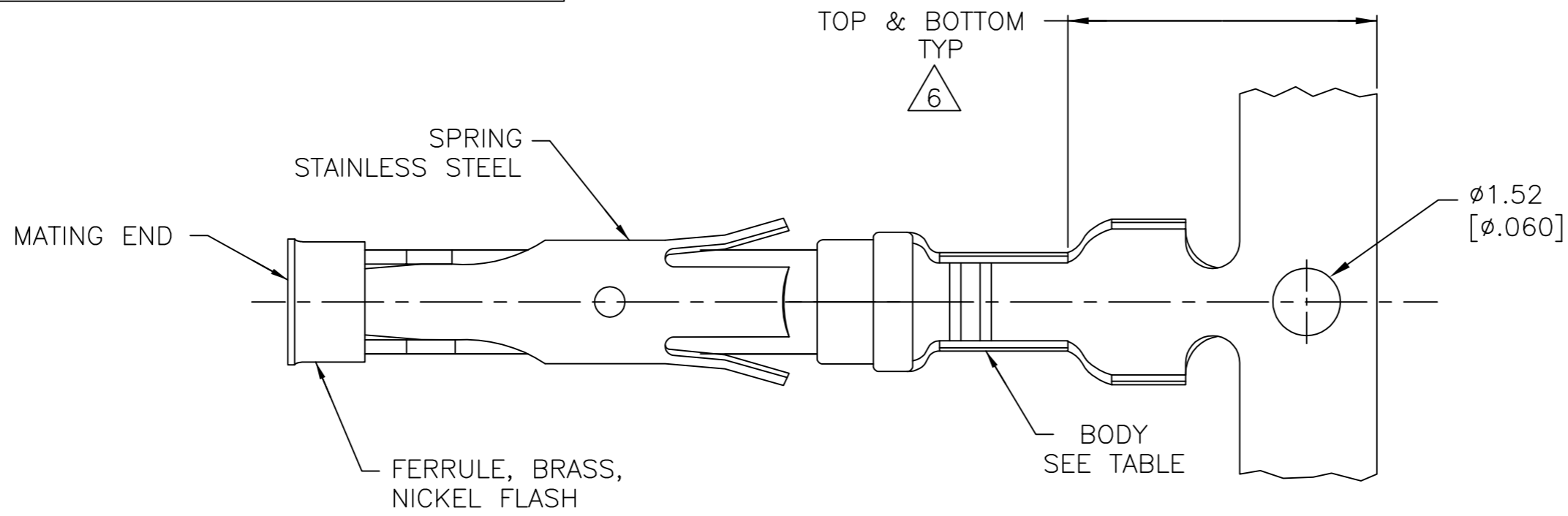


THIS DRAWING IS UNPUBLISHED. RELEASED FOR PUBLICATION
 © COPYRIGHT - By - ALL RIGHTS RESERVED.

REVISIONS					
P	LTR	DESCRIPTION	DATE	DWN	APVD
Y		REVISED PER ECO-12-012320	04JUL12	KH	MZ
Z		REVISED PER ECO-16-017885	07OCT2017	RS	MZ



- 1 0.76µm [.000030] MIN GOLD PER MIL-G-45204 ON MATING END FOR A LENGTH OF 5.08 [.200] MIN WITH 1.27µm [.000050] MIN MATTE TIN PLATE IN WIRE CRIMP AREA, BOTH OVER 0.76µm [.000030] MIN NICKEL PER QQ-N-290.
- 2 1.27µm [.000050] MIN TIN-LEAD PER MIL-T-10727 OVER 0.76µm [.000030] MIN NICKEL PER QQ-N-290.
- 3 0.76µm [.000030] MIN GOLD PER MIL-G-45204 ON MATING END FOR A LENGTH OF 5.08 [.200] MIN WITH A UNIFORM GRADIENT TO 0.25µm [.000010] MIN GOLD PER MIL-G-45204 ON THE REMAINDER OVER 0.76µm [.000030] MIN NICKEL PER QQ-N-290.
- 4 0.38µm [.000015] MIN GOLD PER MIL-G-45204 ON MATING END FOR A LENGTH OF 5.08 [.200] MIN WITH 1.27µm [.000050] MIN MATTE TIN PLATE IN WIRE CRIMP AREA, BOTH OVER 0.76µm [.000030] MIN NICKEL PER QQ-N-290.
- 5 1.27µm [.000050] MIN GOLD PER MIL-G-45204 ON MATING END FOR A LENGTH OF 5.08 [.200] MIN WITH GOLD FLASH ON REMAINDER OVER 0.76µm [.000030] MIN NICKEL PER QQ-N-290.
- 6 GOLD PLATING NEED NOT APPEAR IN THIS AREA.
- 7 REVERSE REELED FOR MINI-APPLICATOR.
- 8 WIRE RANGE 24-20 AWG. INSULATION RANGE 2.03 [.080]-2.54 [.100].
- 9 NOT RELEASED, AMP HOLLAND USE ONLY
- 10 0.38µm [.000015] MIN GOLD PER MIL-G-45204 ON MATING END FOR A LENGTH OF 5.08 [.200] MIN, 1.27µm [.000050] MIN TIN-LEAD PER MIL-T-10727 FOR A LENGTH OF 5.69 [.224] MIN ON OPPOSITE END, BOTH OVER 1.27µm [.000050] MIN NICKEL PER QQ-N-290 ON ENTIRE CONTACT.
- 11 1.27µm [.000050] MIN TIN PER MIL-T-10727 OVER 0.76µm [.000030] MIN NICKEL PER QQ-N-290.
- 12 OBSOLETE PARTS: OBSOLETE CIS STREAMLINING PER D.RENAUD/D.SINISI

STANDARD	FINISH	MATERIAL	LOOSE PIECE REF	PART NO.
STANDARD	11	BRASS	1-66399-0	1-66331-5
STANDARD	11	BRASS	1-66399-0	1-66331-4
12 OBSOLETE	7	1 PHOSPHOR BRONZE	-	1-66331-3
OBSOLETE	7	10 BRASS	66399-5	1-66331-2
OBSOLETE	7	5 BRASS	-	1-66331-1
OBSOLETE	-	- BRASS	-	9 1-66331-0
OBSOLETE	-	- BRASS	-	9 -66331-9
OBSOLETE	7	1 BRASS	66399-4	66331-8
OBSOLETE	7	4 BRASS	66399-3	66331-7
OBSOLETE	7	3 BRASS	66399-2	66331-6
OBSOLETE	7	2 BRASS	66399-1	66331-5
STANDARD	1	BRASS	66399-4	66331-4
STANDARD	3	BRASS	66399-2	66331-2
STANDARD	2	BRASS	66399-1	66331-1
REELING	BODY FINISH	BODY MATERIAL	LOOSE PIECE REF	PART NO.

THIS DRAWING IS A CONTROLLED DOCUMENT.

DWN	R.SHIREY	08/06/91
CHK	R.STONE	9-19-91
APVD	J.WESTMAN	9-20-91

TE Connectivity

SOCKET ASSEMBLY, .062, TYPE III+

SIZE	A2	CAGE CODE	00779	DRAWING NO	C=66331	RESTRICTED TO	-
SCALE	8:1	SHEET	1 of 1	REV	Z		

CUSTOMER DRAWING