

Telpower® Fused Disconnect

60 Volt, 70-800 Amps

15100



15100

Fused Disconnect System

For use with Telpower® Fuses Type TPL.

Ampere Ratings: 70 to 800A

Voltage Rating: 60Vdc

UL Withstand Rating: 100,000A

Agency Information:

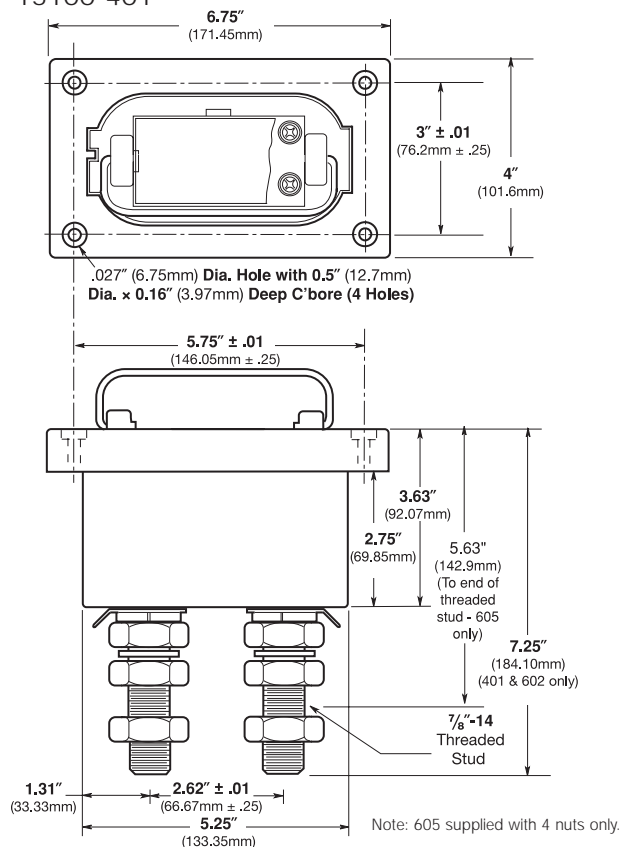
UL Recognized, File E97649

Catalog Numbers

15100-401	For use with TPL series fuses	70 to 400A
15100-602	For use with TPL series fuses	300 to 800A
15100-605	For use with TPL series fuses	300 to 800A (Short Studs)

Dimensional Data

15100-401



The only controlled copy of this Data Sheet is the electronic read-only version located on the Bussmann Network Drive. All other copies of this Data Sheet are by definition uncontrolled. This bulletin is intended to clearly present comprehensive product data and provide technical information that will help the end user with design applications. Bussmann reserves the right, without notice, to change design or construction of any products and to discontinue or limit distribution of any products. Bussmann also reserves the right to change or update, without notice, any technical information contained in this bulletin. Once a product has been selected, it should be tested by the user in all possible applications.