

WIN-DH0-135BS4U

Active 4U 135W CPU Cooler for Intel® Socket H



Features

- High performance and low noise fan design
- IPC system application
- Oxygen-free copper and aluminum heat sink
- Industrial level side blow two ball bearing fan
- Ultra slim heat pipe
- Supports PWM
- 5-year warranty

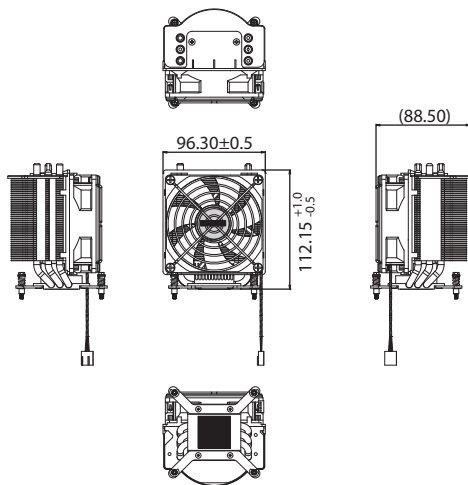


Specifications

| | | |
|-------------------------------|------------------------|---|
| Compatible Socket | | LGA 1150/1156/1155 |
| Heat Sink | Heat Pipe | Yes |
| | Material | CU + Al |
| Fan | Dimensions (W x H x D) | 90 x 90 x 25 mm / 3.54" x 3.54" x 0.98" |
| | Speed | 5,000 RPM |
| | Air Flow | 108.08 CFM |
| | Air Pressure | 13.57 mm H2O |
| | Rated Voltage | 12 V |
| | Rated Current | 1 A |
| | Power Consumption | 12 W |
| | Bearing Type | 2 Ball |
| | Noise Level | 59 dBA max. |
| | Connector | 4-pin |
| MTBF (hr) | 70,000 @ 40°C | |
| Max. Cooling Capacity | | 135 W |
| Cooler Height | | 4U |
| Dimensions (W x H x D) | | 88.2 x 88.2 x 112.15 mm / 3.47" x 3.47" x 4.42" |
| Weight | | 583 g / 1.29 lb. |
| Warranty | | 5 years |

Dimensions

Unit: mm



Ordering Information

| Part Number | Description |
|-----------------|---|
| WIN-DH0-135BS4U | Cooler Socket H 135W 88.2 x 88.2 x 112.15 mm Act. |