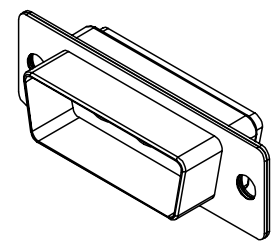
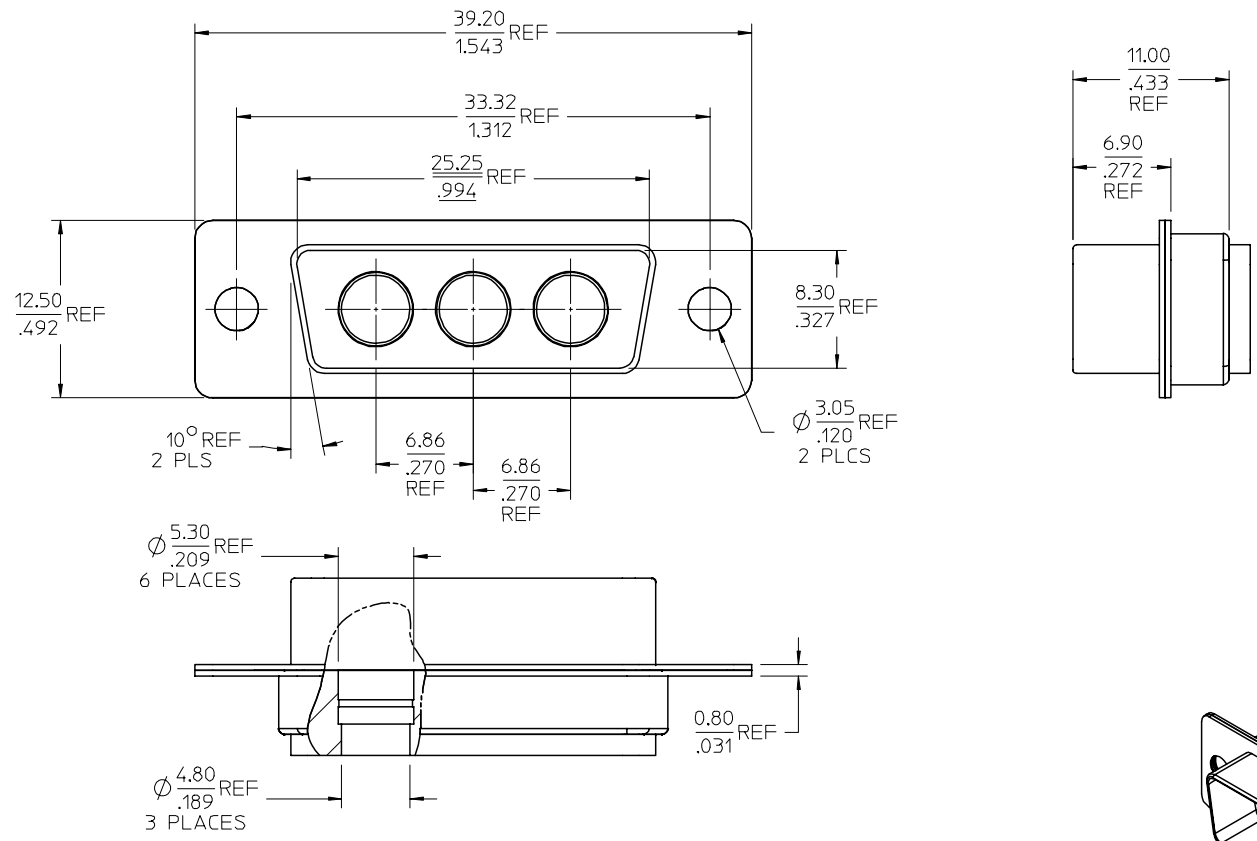


13 12 11 10 9 8 7 6 5 4 3 2 1

MATERIALS AND FINISHES

BODY: STEEL
PLATED: SEE TABLE

INSULATOR: SEE TABLE



| | | |
|------------|----------|-----------|
| 73174-0324 | NICKEL | ARLEN |
| 73174-0323 | NICKEL | PBT |
| 73174-0322 | OBSOLETE | ARLEN |
| 73174-0321 | OBSOLETE | PBT |
| 73174-0320 | TIN | PBT |
| PART NO. | FINISH | INSULATOR |

| | | |
|--|----------------|------------|
| CHG: | Ø 5.30 REF | 2007/10/03 |
| | WAS Ø 5.20 REF | 2007/10/05 |
| WAS: | Ø 4.8 REF | 2007/10/05 |
| | WAS Ø 4.75 REF | 2007/10/05 |
| WAS: | 11.00 REF | 2007/10/05 |
| | WAS 10.80 REF | 2007/10/05 |
| WAS: | 6.90 REF | 2007/10/05 |
| | WAS 6.80 REF | 2007/10/05 |
| WAS: | 25.25 REF | 2007/10/05 |
| | WAS 24.84 REF | 2007/10/05 |
| FC NO: URF2008-0166 DRWNS:CHOU 2007/10/03 CHKD: 2007/10/05 APPR:MHUANG 2007/10/05 | | |

| | |
|-----------------|-------------|
| QUALITY SYMBOLS | DESCRIPTION |
| ◻=0 | |
| ◻=0 | |

| | |
|--|-------|
| GENERAL TOLERANCES (UNLESS SPECIFIED) | |
| mm | INCH |
| 4 PLACES ± --- | ± --- |
| 3 PLACES ± --- | ± --- |
| 2 PLACES ± --- | ± --- |
| 1 PLACE ± --- | ± --- |
| ANGULAR ± 2 ° | |
| DRAFT WHERE APPLICABLE MUST REMAIN WITHIN DIMENSIONS | |

| | |
|-----------------|------------|
| DIMENSION STYLE | |
| MM/IN | |
| DRAWN BY | DATE |
| SSS | 2003/12/04 |
| CHECKED BY | DATE |
| TEF | 2003/12/04 |
| APPROVED BY | DATE |
| GHM | 2003/12/04 |
| MATERIAL NO. | |
| SEE TABLE | |

| | | |
|---|--------------|------------------------|
| SCALE | DESIGN UNITS | THIRD ANGLE PROJECTION |
| | METRIC | ☉ |
| TITLE | | |
| HOUSING, D-SUB, PLUG EWR2405 - M-M | | |
| MOLEX INCORPORATED | | |
| MATERIAL NO. | DOCUMENT NO. | SHEET NO. |
| SD-73174-032 | | 1 OF 1 |
| THIS DRAWING CONTAINS INFORMATION THAT IS PROPRIETARY TO MOLEX INCORPORATED AND SHOULD NOT BE USED WITHOUT WRITTEN PERMISSION | | |

12 11 10 9 8 7 6 5 4 3 2 1