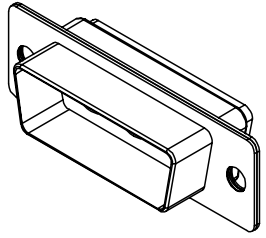
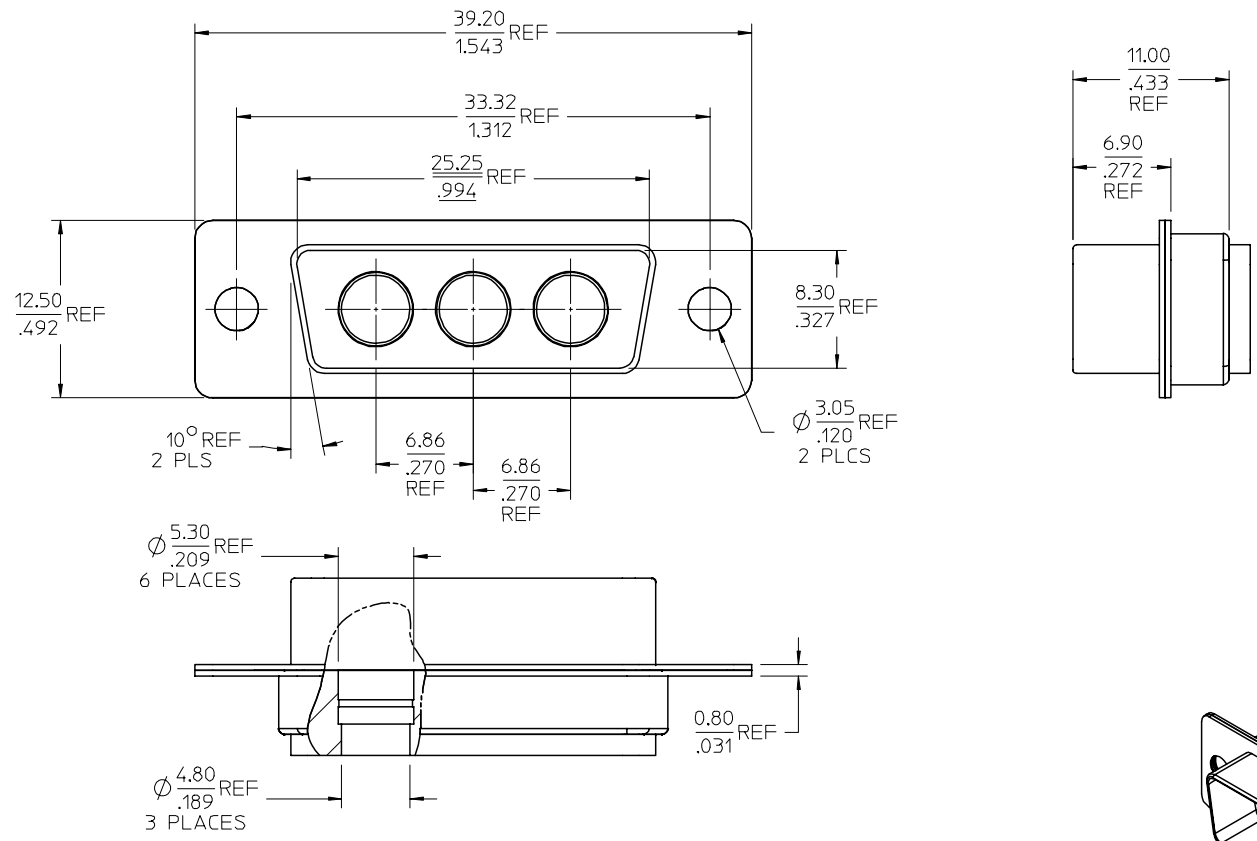


13 12 11 10 9 8 7 6 5 4 3 2 1

MATERIALS AND FINISHES

BODY: STEEL  
PLATED: SEE TABLE

INSULATOR: SEE TABLE



73174-0324	NICKEL	ARLEN
73174-0323	NICKEL	PBT
73174-0322	OBSOLETE	ARLEN
73174-0321	OBSOLETE	PBT
73174-0320	TIN	PBT
PART NO.	FINISH	INSULATOR

CHG:	Ø 5.30 REF	DRAWN: SCHOU	DATE: 2007/10/03
	WAS Ø 5.20 REF		
WAS Ø 4.8 REF	11.00 REF	CHKD:	DATE: 2007/10/05
WAS 10.80 REF	25.25 REF	APPR: MHIANG	DATE: 2007/10/05
WAS 6.90 REF			
WAS 6.80 REF	F.C. NO.: URF2008-0166	REV: 3	DESCRIPTION:
WAS 24.84 REF			

QUALITY SYMBOLS	▽=0
	▽=0

GENERAL TOLERANCES (UNLESS SPECIFIED)	
mm	INCH
4 PLACES ± .005	± .0001
3 PLACES ± .003	± .0001
2 PLACES ± .002	± .0001
1 PLACE ± .001	± .0001
ANGULAR ± 2 °	
DRAFT WHERE APPLICABLE MUST REMAIN WITHIN DIMENSIONS	

DIMENSION STYLE	
MM/IN	
DRAWN BY	DATE
SSS	2003/12/04
CHECKED BY	DATE
TEF	2003/12/04
APPROVED BY	DATE
GHM	2003/12/04

SCALE	DESIGN UNITS	THIRD ANGLE PROJECTION
	METRIC	☉
TITLE		
HOUSING, D-SUB, PLUG		
EWR2405 - M-M		
MATERIAL NO.		
SD-73174-032		
DOCUMENT NO.		SHEET NO.
SD-73174-032		1 OF 1

12 11 10 9 8 7 6 5 4 3 2 1